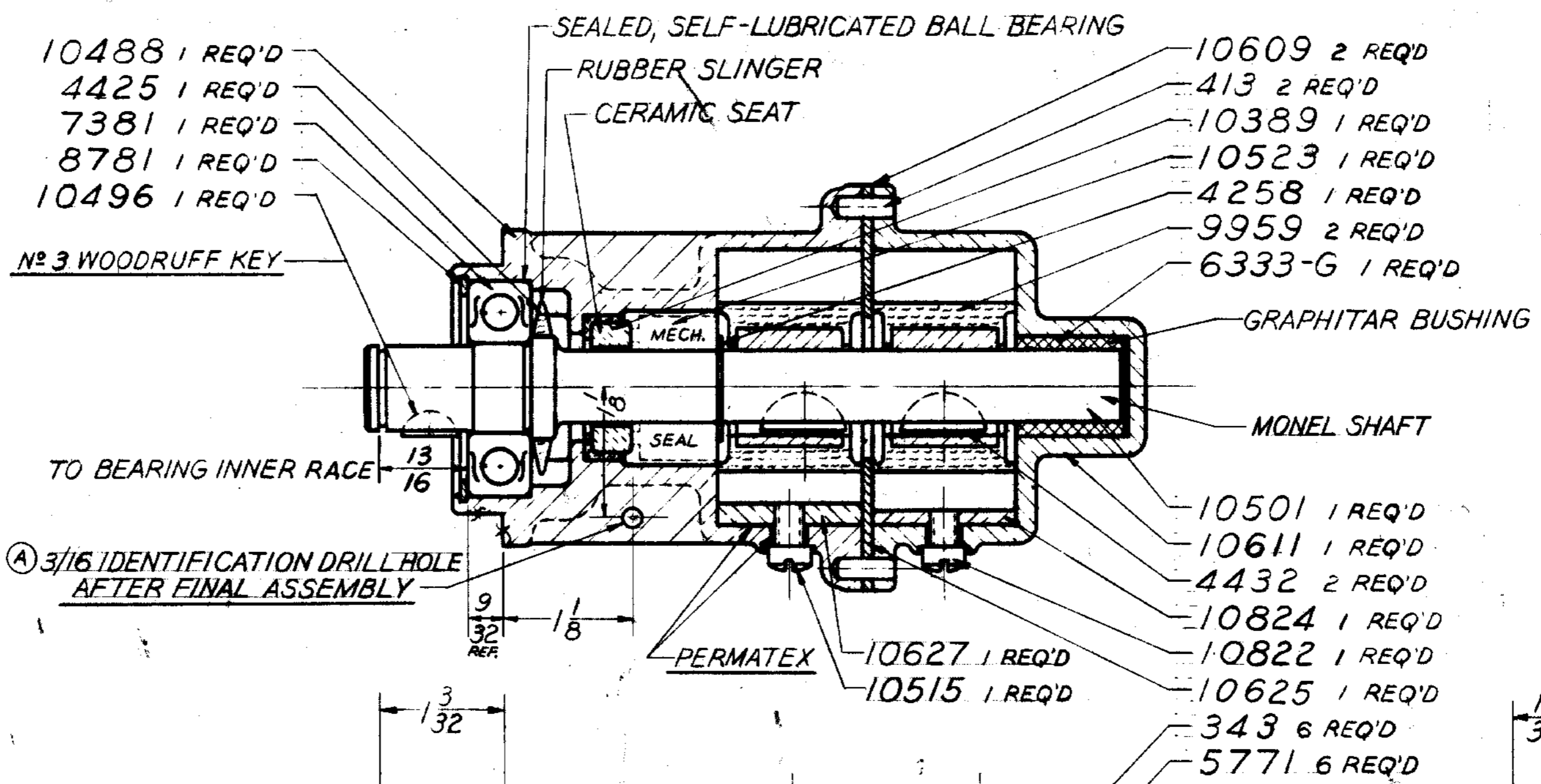
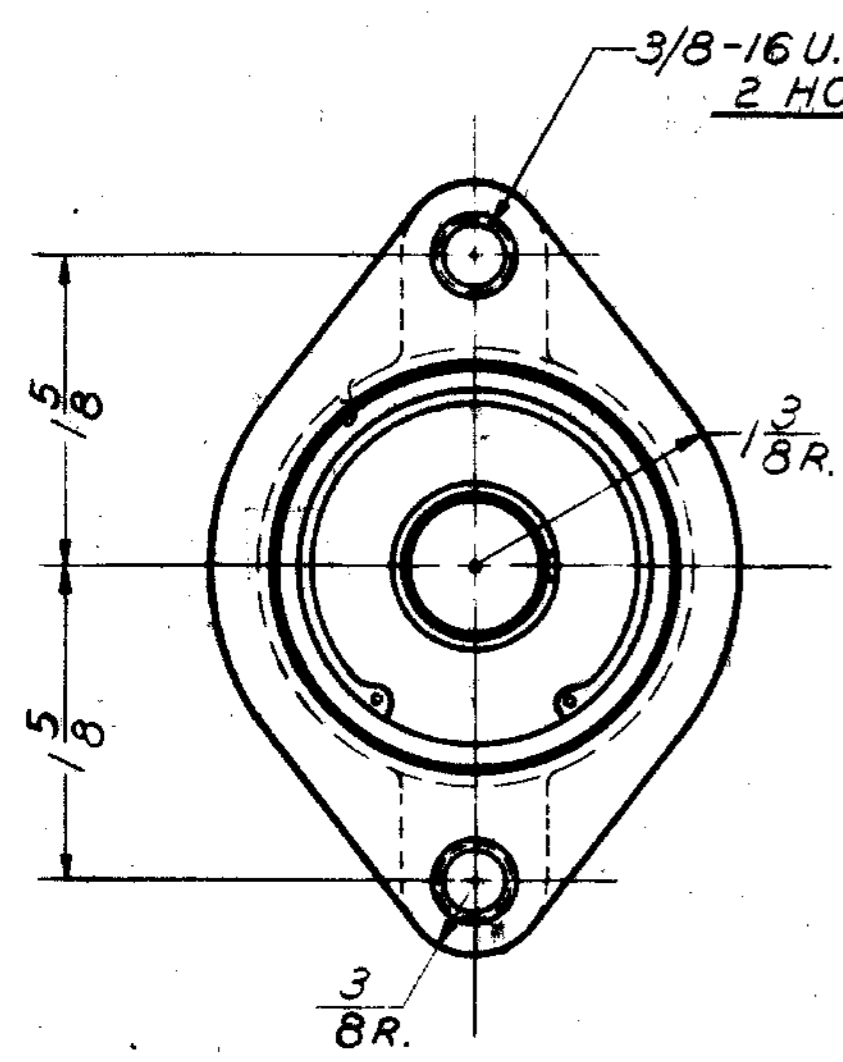


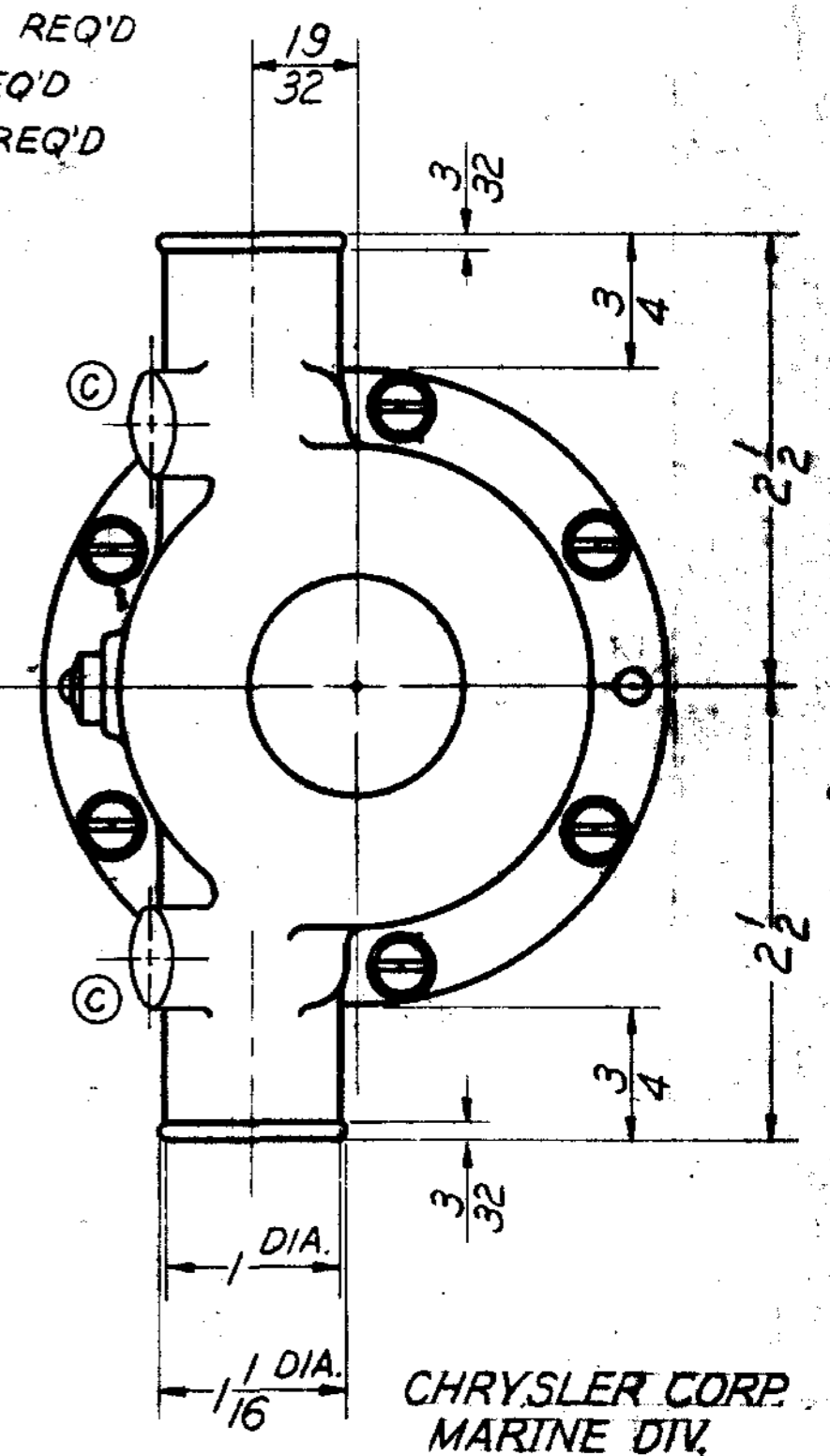
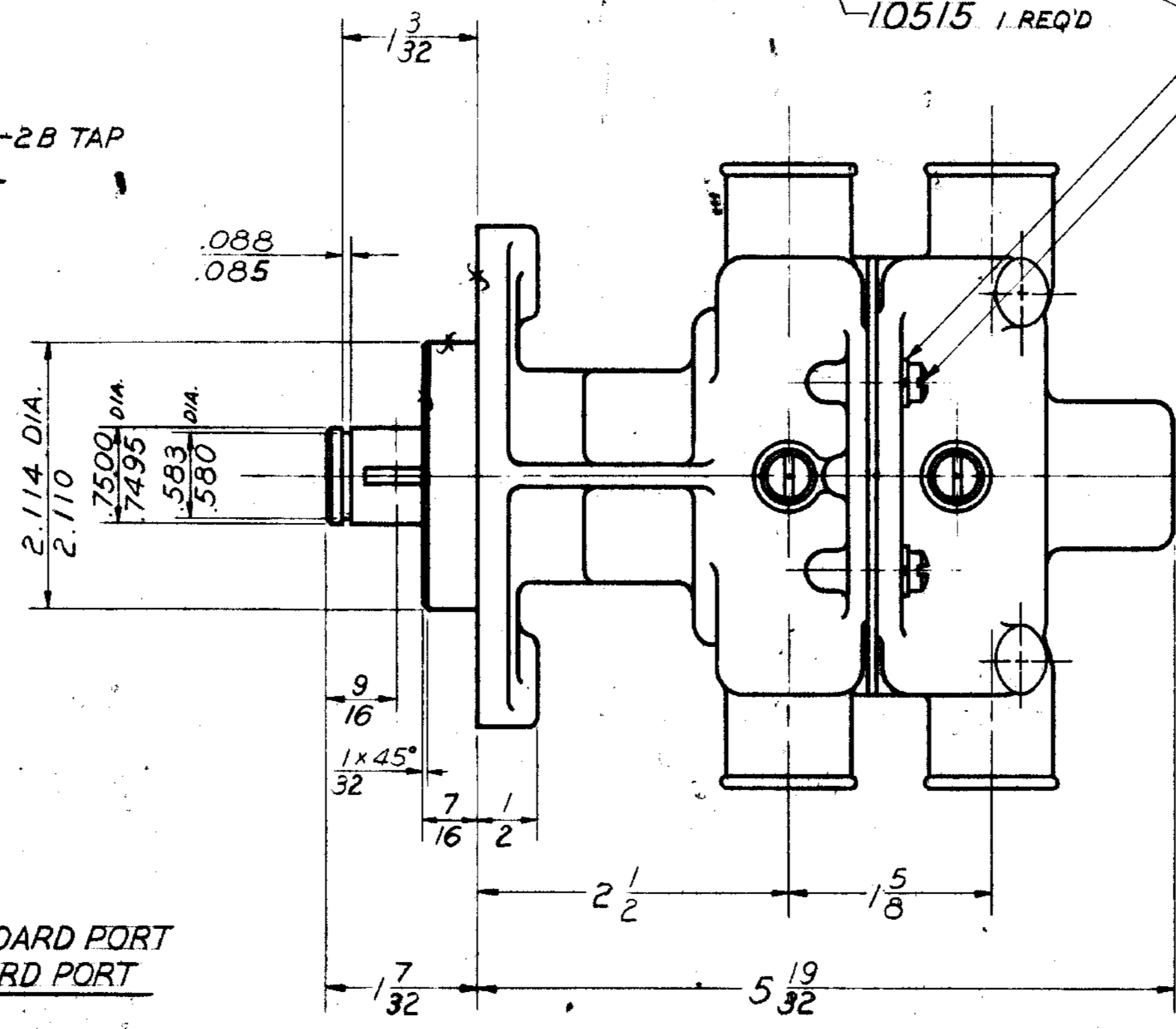
SERVICE PART NO.	COMPONENT PART NO'S	NO. REQ'D
10502	10488	1
BODY	413	2
10619	10611	1
COVER	6333-G	1
10545	10523	1
SEAL & SEAT	10389	1
MAJOR REPAIR KIT # 12933 (E)		
MINOR REPAIR KIT # 12818 (E)		



(A) 3/16 IDENTIFICATION DRILL HOLE AFTER FINAL ASSEMBLY



CAPACITY
 4.5 G.P.M. @ 1000 R.P.M., OUTBOARD PORT
 6.0 G.P.M. @ 1000 R.P.M., INBOARD PORT



CHRYSLER CORP.
 MARINE DIV.
 NO E-8542 (B)

SHERWOOD BRASS WORKS
 DETROIT, MICHIGAN

REV.	DESCRIPTION	DATE	BY	APP.
E	12818 KIT PARTS ADDED	11/1/62	W. B. WEAVER	
D	10656 KIT REMOVED	11/1/62	W. B. WEAVER	
C	(2) 9/16 DIA. BOSSES ADDED	11/1/62	W. B. WEAVER	
B	CHRYSLER ASS'Y NO. ADDED	11/1/62	W. B. WEAVER	
A	IDENTIFICATION MARK REVISED	11/1/62	W. B. WEAVER	

TITLE	IMPPELLER PUMP ASS'Y	SEE DETAILS
SCALE	FULL	
DRAWN	A. J. B.	DATE 11-23-62
CHECKED		
APPROVED		

Q-1085