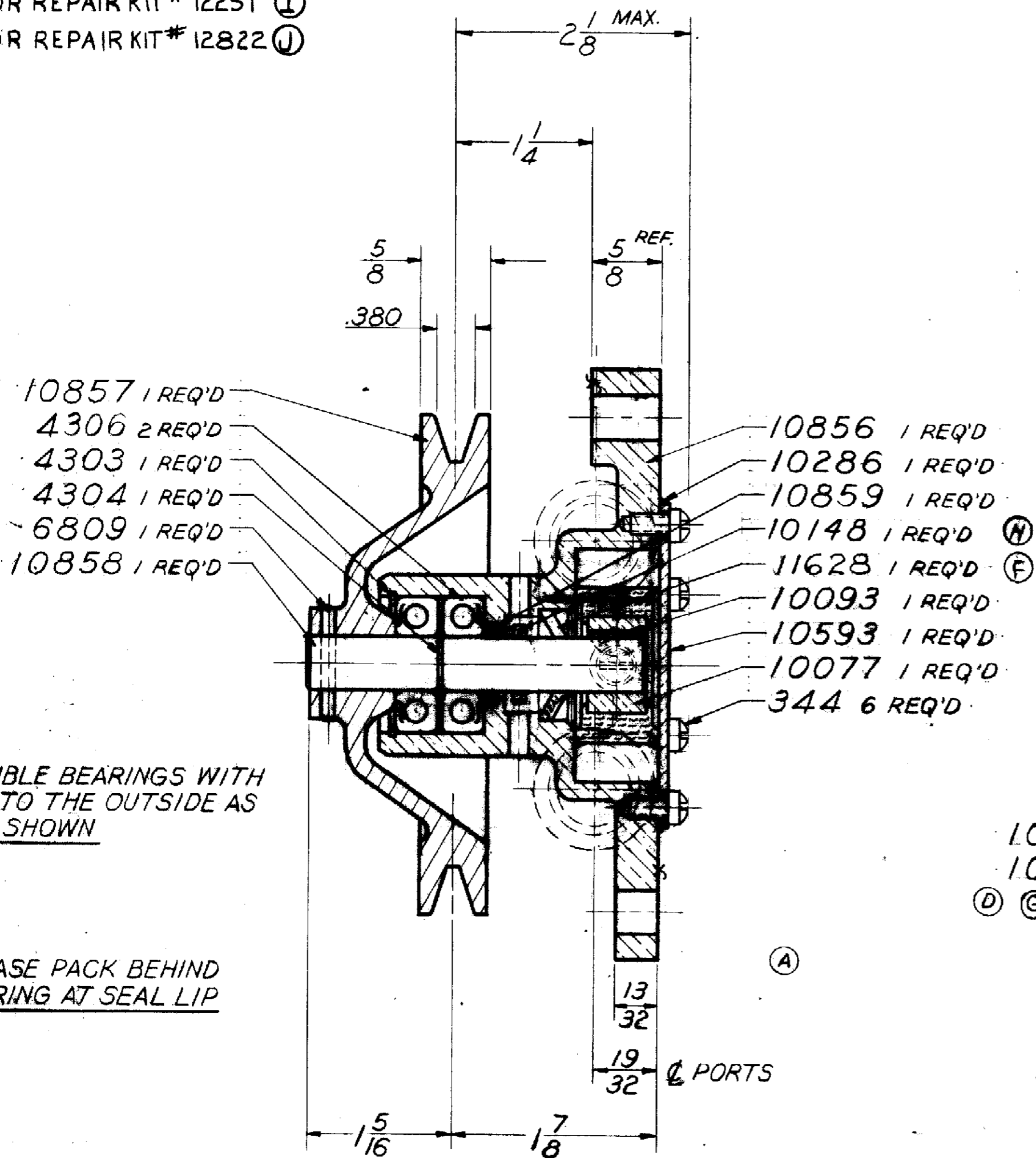


MAJOR REPAIR KIT # 12251 (T)
 MINOR REPAIR KIT # 12822 (J)



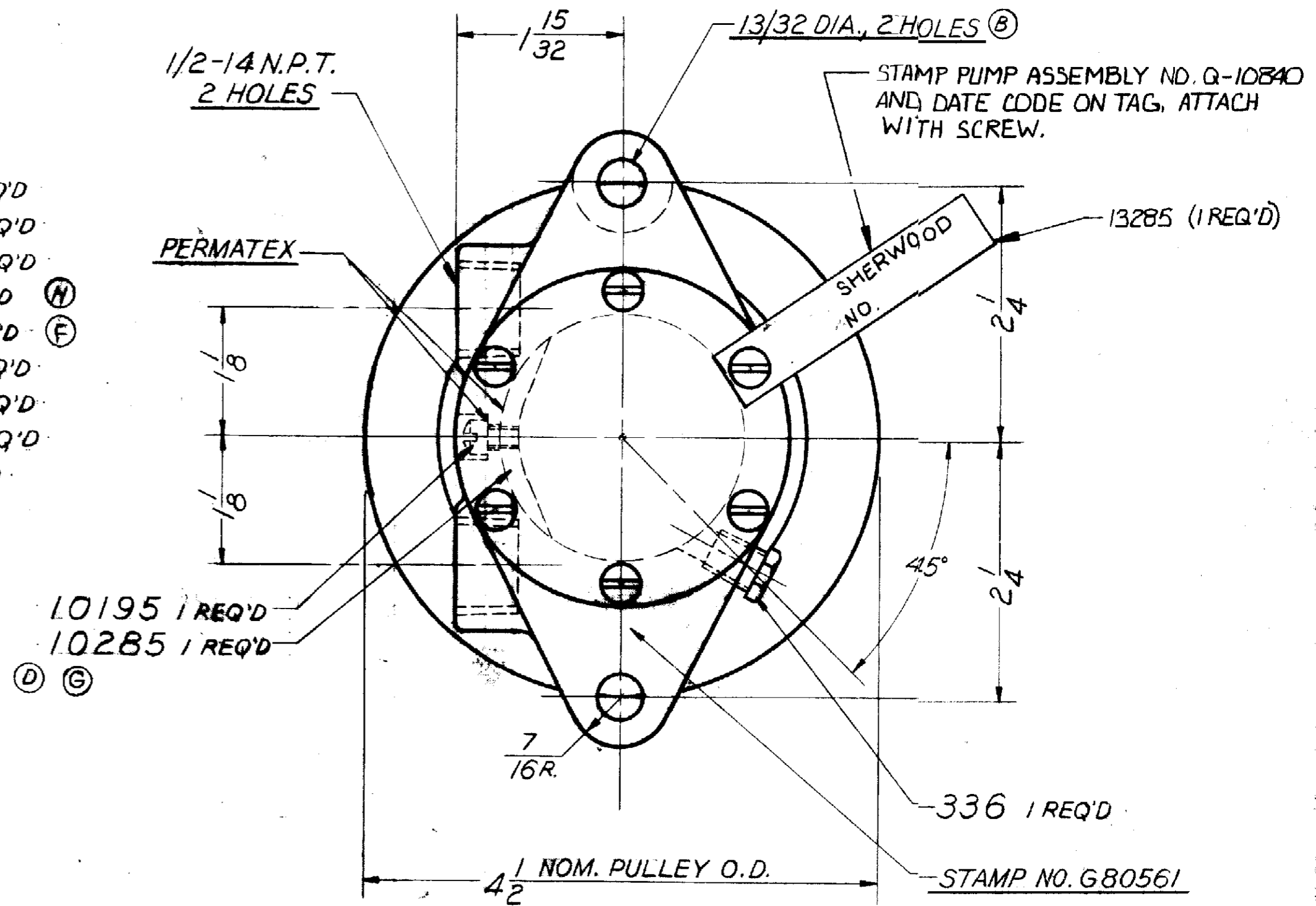
ASSEMBLE BEARINGS WITH SEALS TO THE OUTSIDE AS SHOWN

GREASE PACK BEHIND BEARING AT SEAL LIP

CAPACITY
 8.0 G.P.M. @ 3000 R.P.M.

CURVE R 30 G

COUNTER-CLOCKWISE ROTATION (FROM DRIVE END)



(K) FOR SERVICE:
 PACKAGE THIS PUMP ASSEMBLY IN A
 # X BOX 1 REQ'D
 # 1 JIFFY BAG 1 REQ'D
 # 12209 LABEL 1 REQ'D

L	ADDED TAG NO. 13285	
K	PACKAGING NOTE ADDED	RM 7-31-78
J	12822 KIT ADDED	RM 11-11-74
T	12251 KIT REVISED	RM 11-11-74
H	10148 WAS 3136	RM 5/21/74
G	11161 FITTINGS REMOVED	RM 7/25/77

CURVE NO. 62026 R - 62027 R

SHERWOOD

IMPELLER PUMP ASS'Y

FULL TAG

Q-10840

SEE DETAILS