

WHEN THIS PUMP ASS'Y IS ORDERED FOR A GRAY MARINE ENGINE DO NOT ASSEMBLE A PULLEY.

CLOCKWISE ROTATION
(VIEW FROM PULLEY END)

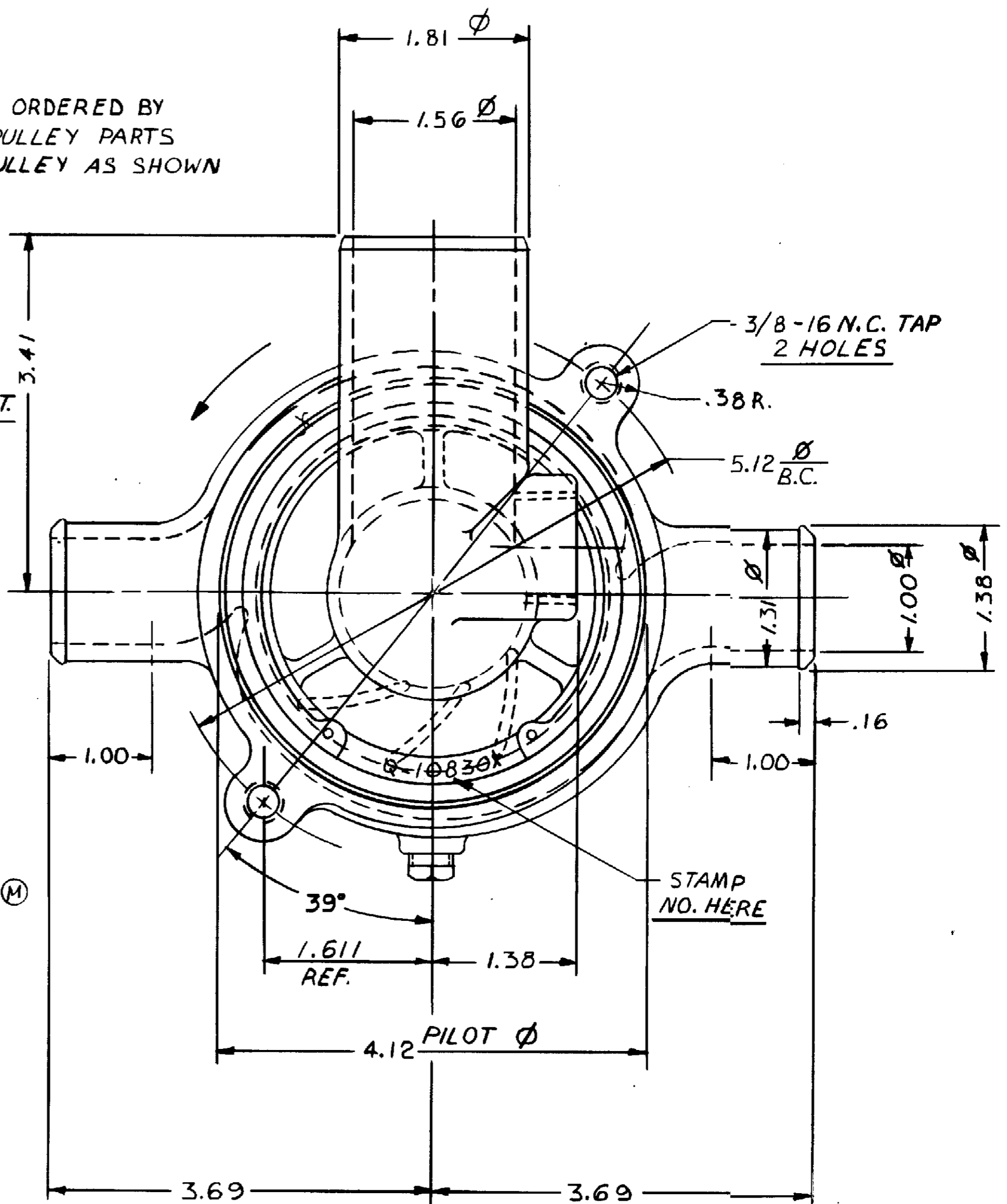
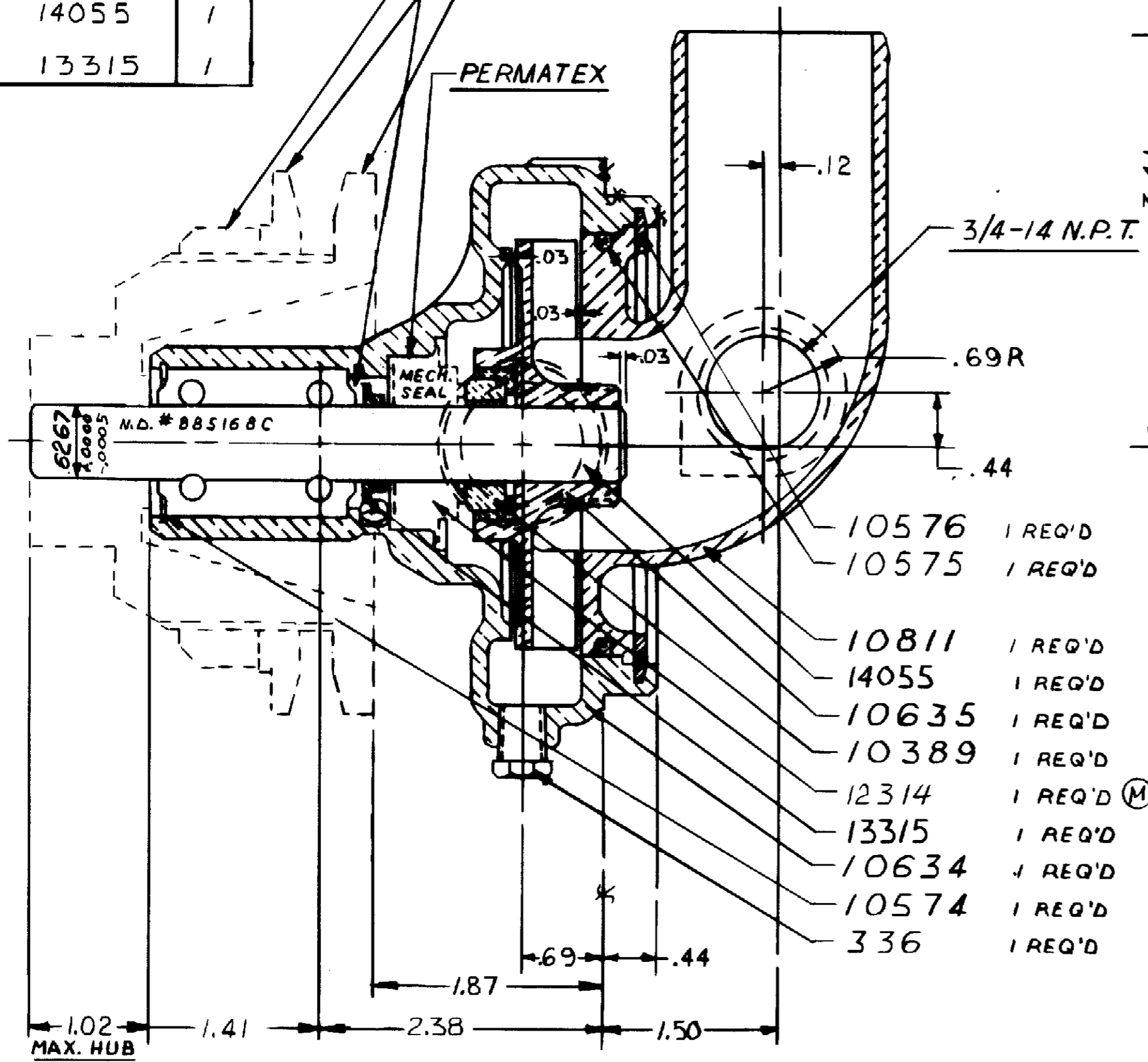
12249 MAJOR SERVICE KIT

SERVICE PART NO.	COMPONENT PART NO'S	NO. REQ'D
10577	12314	1
SEAL & SEAT	10389	1
11424-A	14055	1
PUMPSHAFT BEARING	13315	1

PACK WITH TEXACO BALL JOINT GREASE BETWEEN SLINGER AND BEARING BEFORE ASSEMBLING

- N-14ND LOCKNUT
- 7074 FLANGE
- 7072 HUB

WHEN THIS PUMP ASS'Y. IS ORDERED BY CHRIS-CRAFT AND THESE PULLEY PARTS ARE FURNISHED INSTALL PULLEY AS SHOWN



PULLEY TO BE PRESSED IN PLACE BY SHERWOOD

PULLEY BORE .6250 NO GO GAGE
.6235 GO GAGE

USE THIS PUMP FOR SERVICE IN PLACE OF P-10580 & R10950

UNIT PACKAGING:

- No 17631 CARTON 1 REQ'D
- 12209 LABEL 1 REQ'D
- 17653 JIFFY BAG 1 REQ'D

CAPACITY
30 G.P.M. EACH PORT
15 P. S.I. @ 4000 R.P.M.

REV.	DESCRIPTION	APPR	DATE
M	12314 WAS 8388	SH	11-2-66
L	REDRAWN WITHOUT CHANGE	KB	10-16-66

UNLESS OTHERWISE SPECIFIED
CAST DIMENSIONS ± .02
FILLETS & RADII .06
FINISH STOCK .07
MACHINING TOLERANCE, INCHES
XX ± .01, XXX ± .005
SURFACE ROUGHNESS
ANGLES ± 0° 30'
CORNER BREAKS .01 MAX.
|| PARALLISM .001
□ FLATNESS .001
± SQUARNESS .001
○ CONCENTRICITY .001
○ ROUNDNESS .0002
↗ RUNOUT .001

SHERWOOD
A DIVISION OF HYPRO CORPORATION
6321 E. JEFFERSON AVE. • DETROIT, MICHIGAN 48207

DRAFTSMAN	DATE	CHECKER	DATE	ASS'Y NO.
AVB	5-19-62			

TITLE
IMPELLER PUMP ASS'Y

MATERIAL
SEE DETAILS

DWG. NO.
Q-10830X