

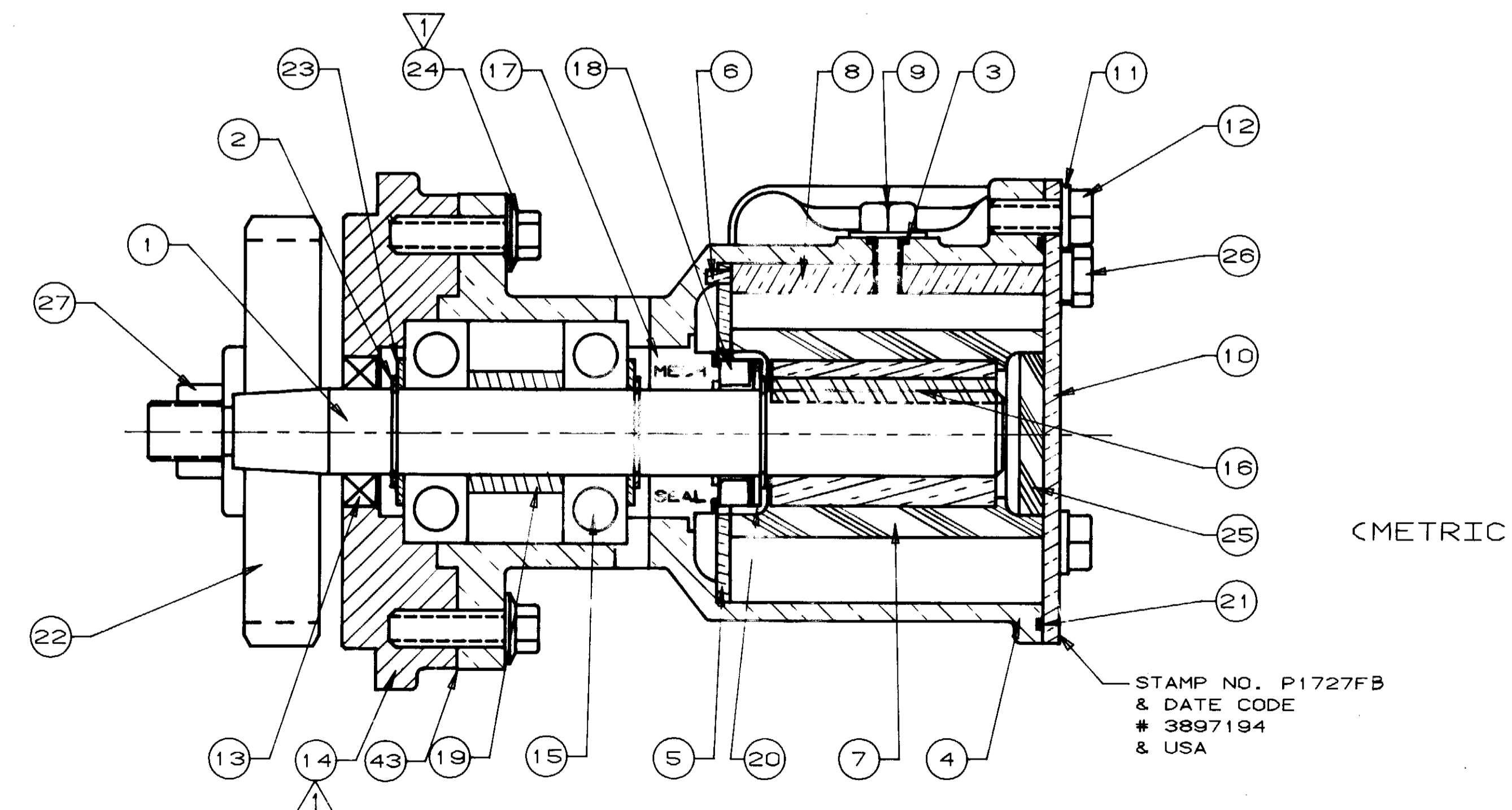
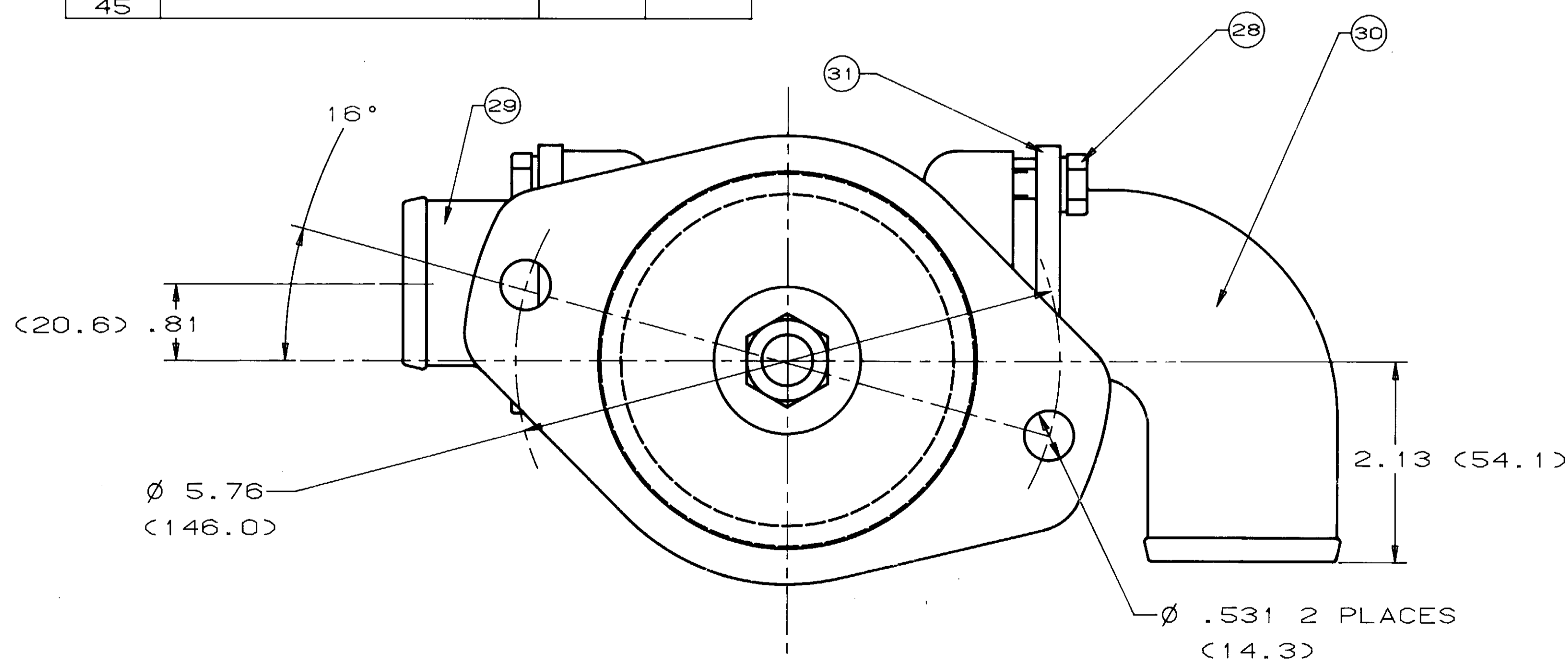
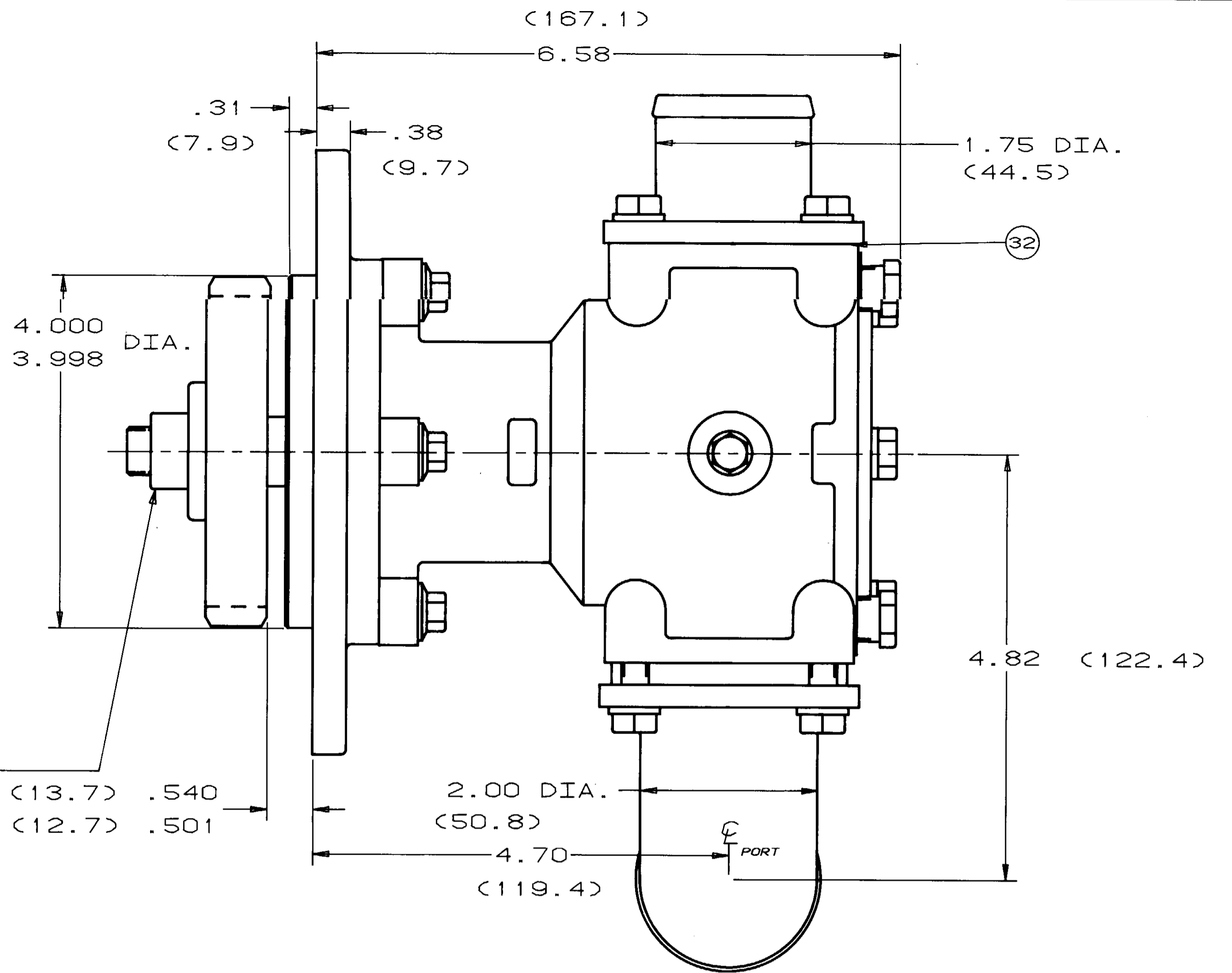
# PARTS LIST

ITEM	DESCRIPTION	REQ'D	PART NO.
1	SHAFT	1	19616
2	EXT. RET. RING	3	15952
3	O-RING	1	19712
4	HOUSING	1	21523
5	END PLATE	1	16047
6	RD. HD. PIN	1	18442
7	IMPELLER	1	17000
8	CAM C.27	1	18271
9	CAM SCREW	1	19714
10	COVER PLATE	1	18742
11	LOCK WASHER	11	21573
12	M8 X 1.25 (20 mm)	7	19626
13	LIP SEAL	1	19674
14	ADAPTER	1	21205
15	BALL BEARING	2	15951
16	KEY	1	19667
17	MECH. SEAL	1	15954
18	SEAL SEAT	1	15953
19	SPACER	1	19615
20	FLAT WASHER	1	15959
21	O-RING	1	15945
22	GEAR ~ EXT. DRIVE	1	19885
23	FLAT WASHER	2	19614
24	M8 X 1.25 FLANGE	4	19708
25	RUBBER CAP	1	19210
26	DRAIN PLUG	2	336
27	HEX NUT	1	19730
28	M8 X 1.25 (25mm)	4	21484
29	PORT ~ STRAIGHT	1	21524
30	PORT ~ 90 DEGREE	1	19236
31	BRACKET	2	21373
32	O-RING	2	21525
33	SEAL & SEAL ASS'Y	ITEMS 17 & 18	15955
34	PIN & ENDP. ASS'Y	ITEMS 8 & 9	18441
35	O-RING & CAM SCREW	ITEMS 9 & 9	19715
36	TAPER PLUG	1	21321
37	TAPER PLUG	1	18459
38	TUBE CONTAINER	1	14120
39	INSERT	4	21583
40	PAD	6	14122
41	MINOR SERVICE KIT	S	21592
42	MAJOR SERVICE KIT	S	21587
43	GASKET	1	21570
44	MID SERVICE KIT	S	21633
45			

### NOTE:

- TORQUE BOLTS 18 LB-FT
- APPLY THIN FILM OF GREASE (NLGI NO. 0) AROUND SHAFT BETWEEN LIP SEAL AND FIRST RET. RING.

APPLY SMALL AMOUNT OF LOCTITE NO. 262 TO SHAFT THREADS. TORQUE TO 50 FT-lbs.



STAMP NO. P1727FB  
DATE CODE  
# 3897194  
& USA

(4) INSERT X (12) CELLS/INSERT=(48) PUMPS/PALLET  
CAD FILE: p1727f

UNLESS OTHERWISE SPECIFIED		SHERWOOD	
CAST DIMENSIONS = .02		A DIVISION OF HYPRO CORPORATION	
FILETS & RADII = .06		6331 E. JEFFERSON AVE. • DETROIT, MICHIGAN 48207	
FINISH STOCK = .07		DRAFTSMAN DATE CHECKER DATE ASSY NO	
MACHINING TOLERANCE INCHES		TLG 10-19-93	
XX = .01, XXX = .005		TITLE	
SURFACE ROUGHNESS		RUBBER IMPELLER PUMP	
ANGLES = 0°-90°		MATERIAL	
CORNER BREAKS .01 MAX.		SEE DETAILS	
FLATNESS .0015 IN/IN		DWG NO.	
SQUARENESS .0015		P1727FB	
CONCENTRICITY .002			
ROUNDNESS .0005			
RUNOUT .002			
Q WAS P1727FB	TLG 7-3-94		
P WAS 21585	TLG 7-3-94		
O REDRAWN WITH CHANGE	TLG 2-26-94		
REV	DESCRIPTION	APPR	DATE