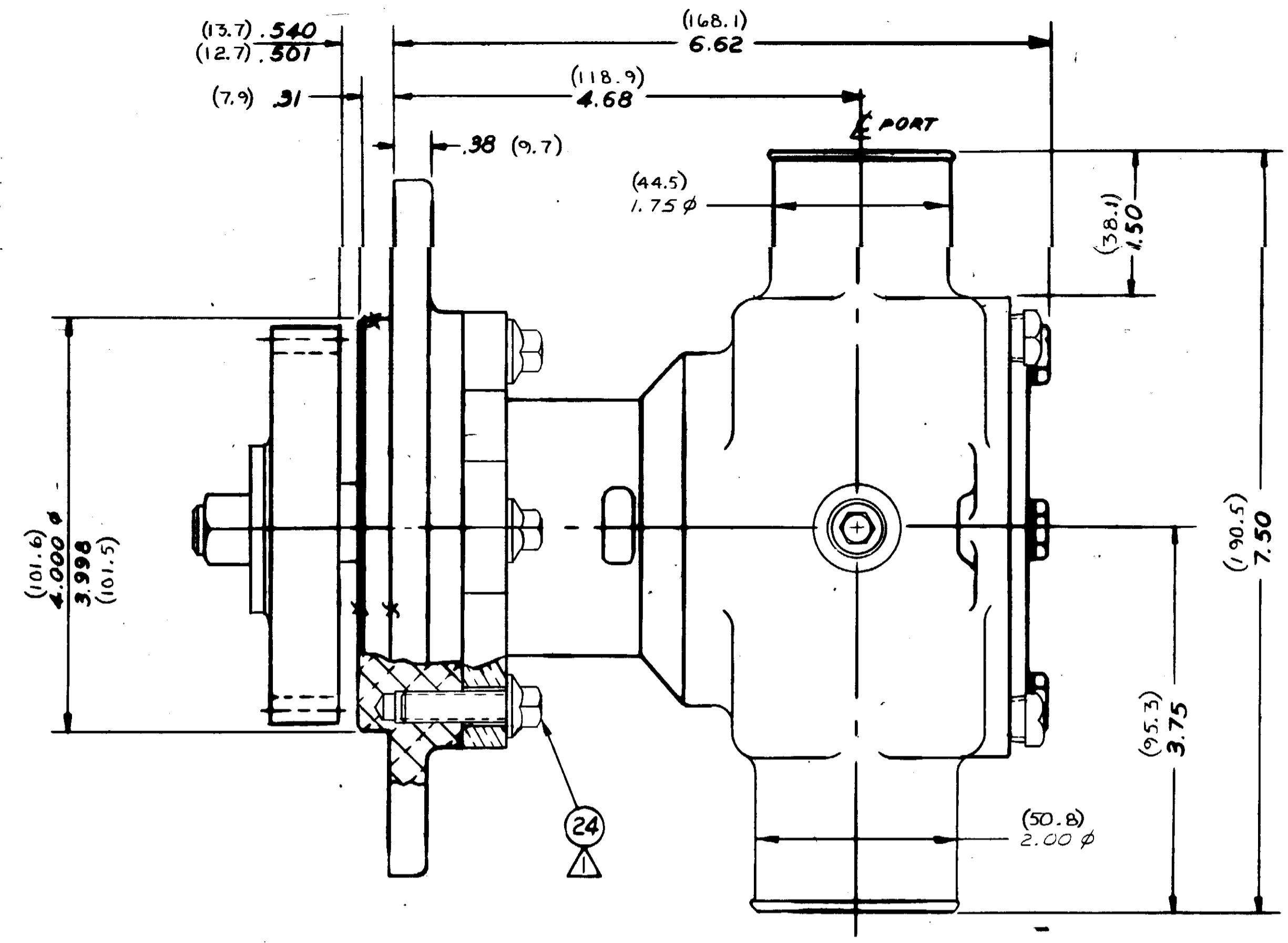
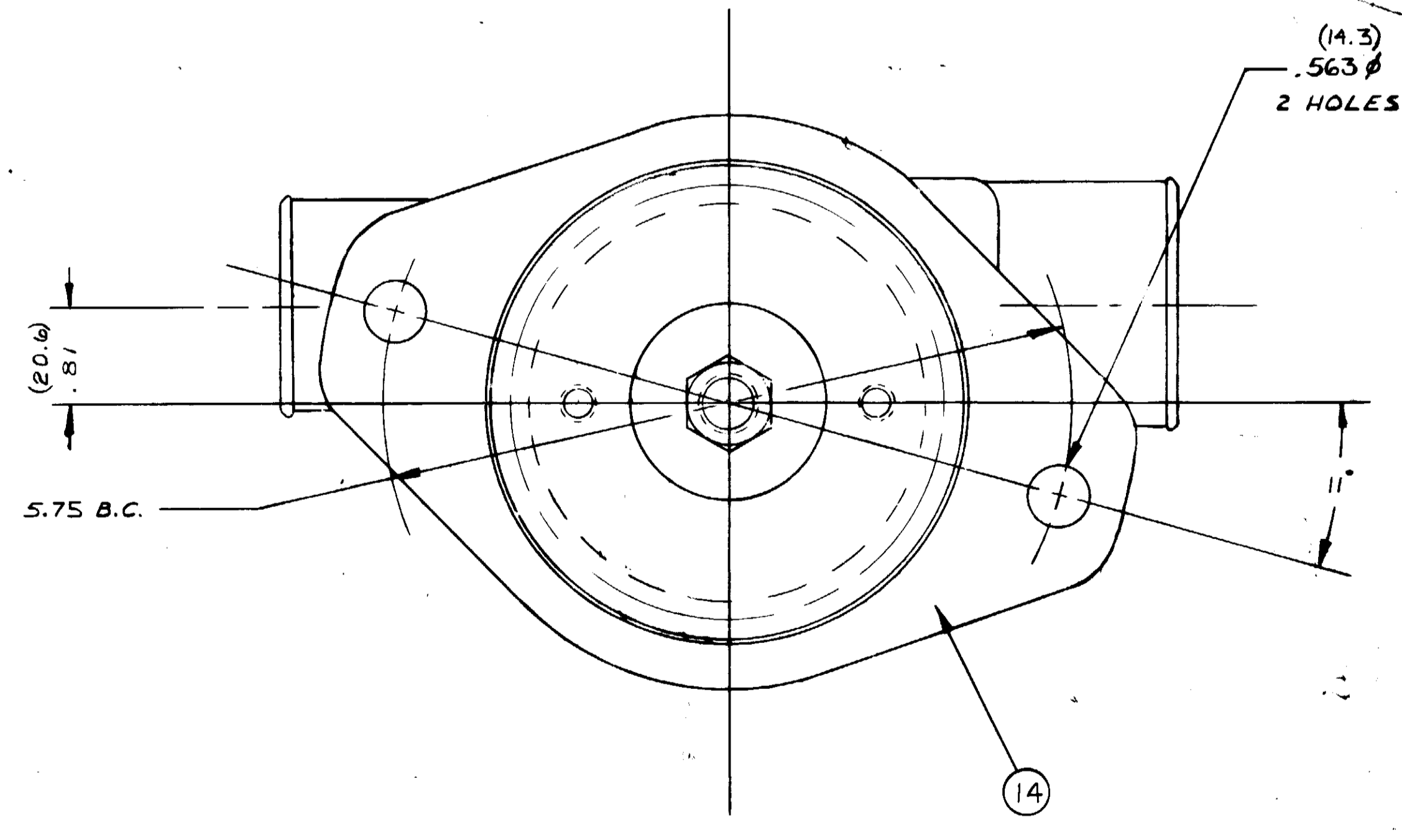


DESCRIPTION	QTY	PART NO.
O-RING	1	19616
O-RING	3	18502
O-RING	1	19712
	1	19630
	1	18047
	1	18442
	1	18000
	1	18271
	1	19714
	1	18742
LOCKWASHER	3	18244
M8 X 1.25 HEX. HD. CAP	3	19626
	1	21585
	1	19727
	2	18561
	1	19667
	1	18504
	1	18543
	1	19615
	1	15945
	1	19885
FLAT WASHER	2	19614
M8 X 1.25 HEX. FLANGE HD. BOLT	4	19708
	1	18210
DRAIN PLUG HEX NUT	2	339
	1	19730
TAPER CAP	1	21321
TAPER CAP	1	18459
TUBE CONTAINER	1	14120
INSERT	4	21325
PAD	9	14122

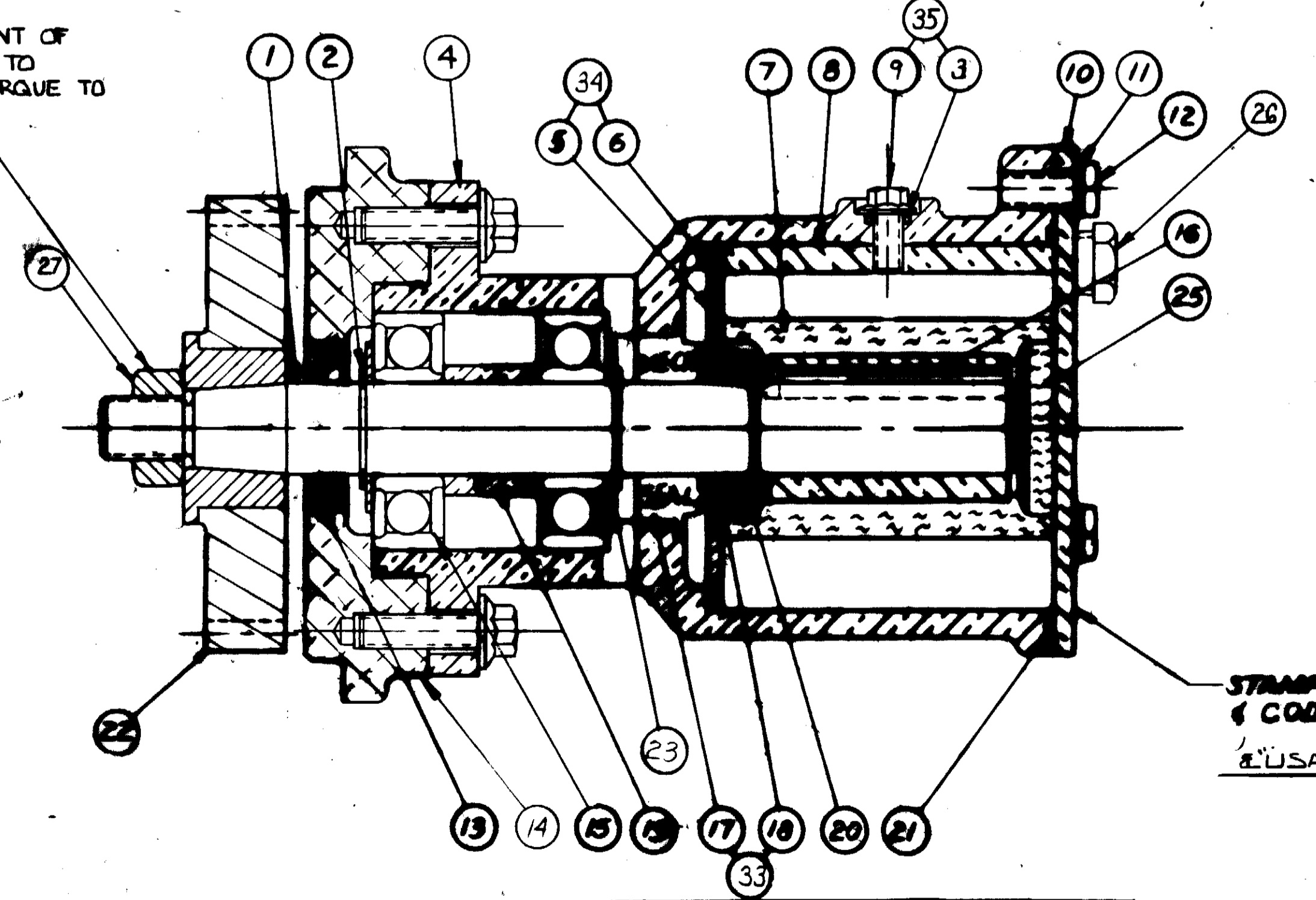
ITEM	DESCRIPTION	QTY	PART NO.
33	SEAL & SEAT ASSY	1	15955
34	END PLATE-PIN ASSY	1	18441
35	CAM SCREW & O-RING ASS'Y	1	19715
36	MINOR SERVICE KIT	1	21064
37	MAJOR SERVICE KIT	1	21587
38	VAPOR WRAP	2	19565



(4) INSERT x (16) CELLS/INSERT = 64 PUMPS/PALLET



APPLY SMALL AMOUNT OF LOCTITE N° 262 TO SHARP THREADS. TORQUE TO 50 FT-LBS.



1. TORQUE BOLTS 18 LB-FT

DESCRIPTION	DATE	APPROV.

(METRIC)

**SHERWOOD**  
A DIVISION OF HYPRO CORPORATION  
8331 E. JEFFERSON AVE. • DETROIT, MICHIGAN 48207

MADE IN USA