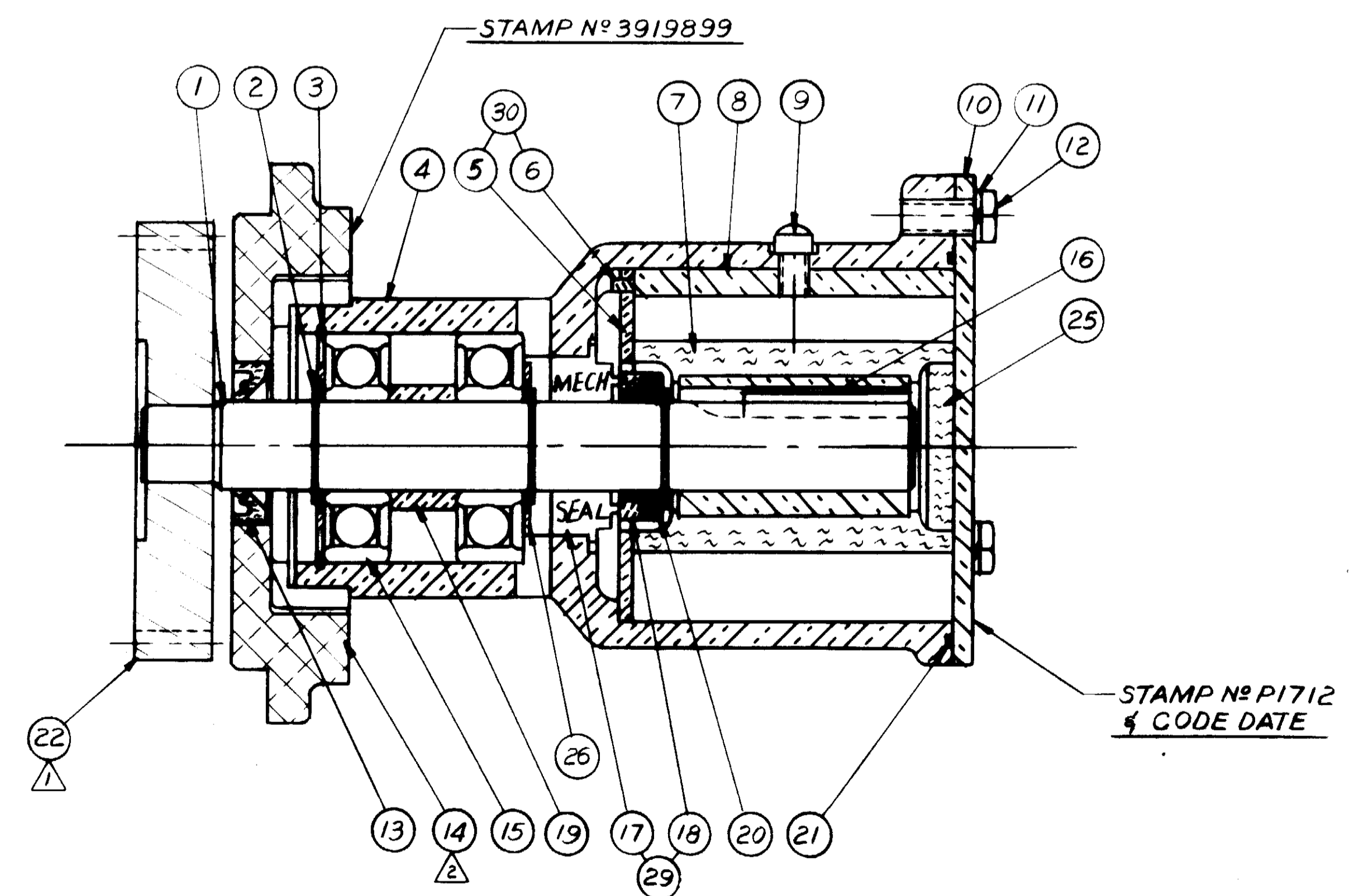
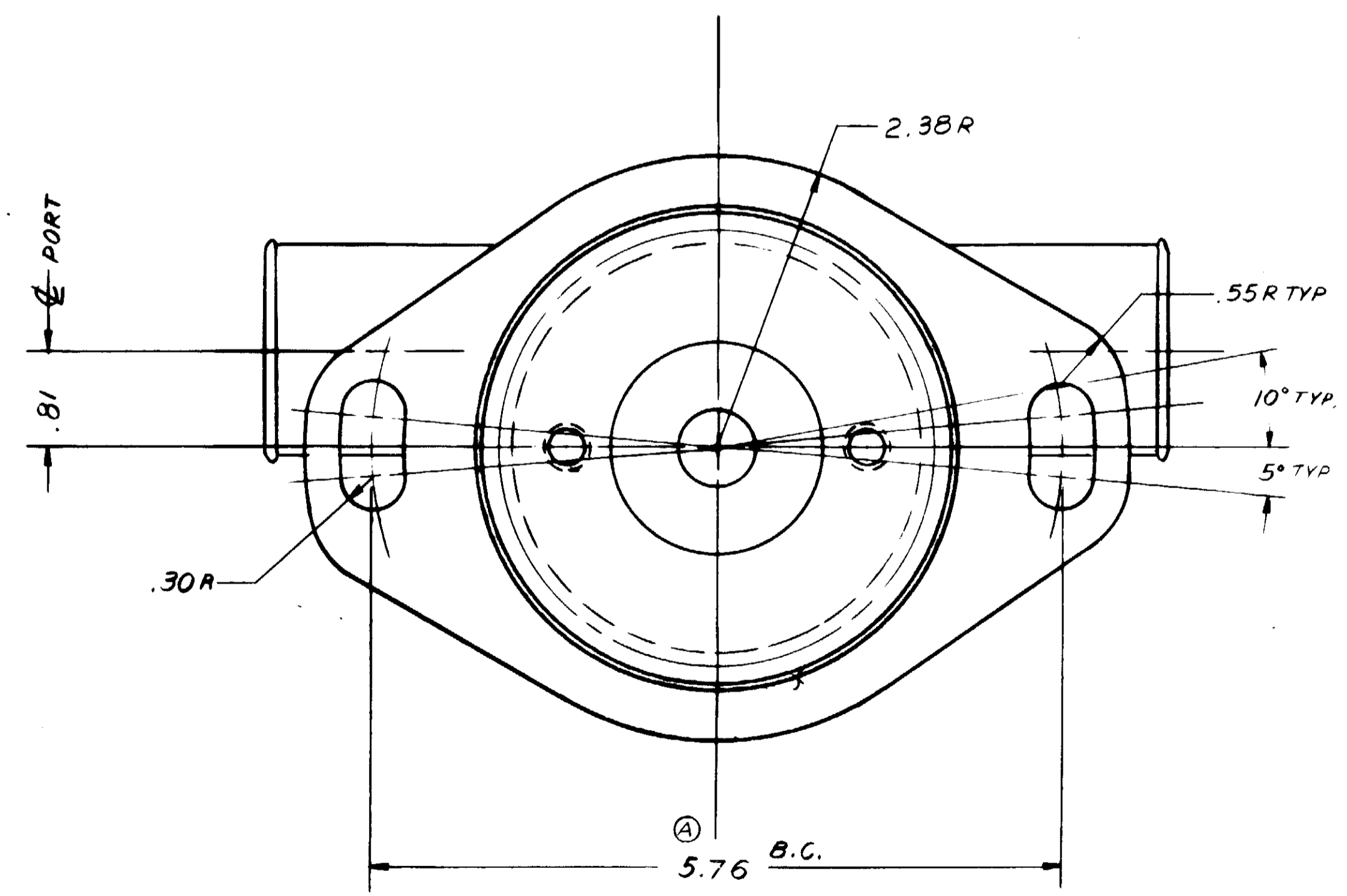
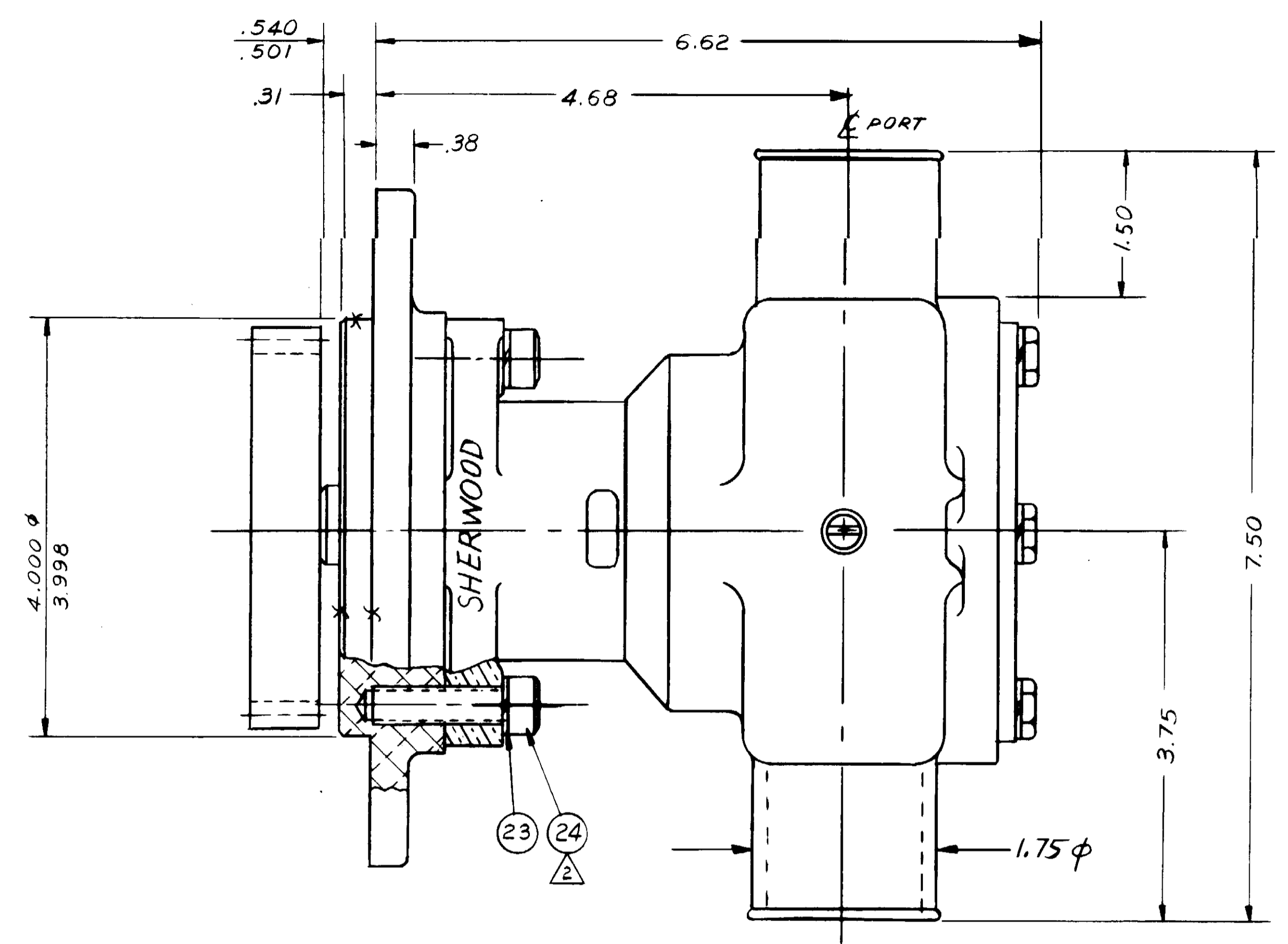


| PARTS LIST | | | |
|------------|-------------------------|-------|---------|
| ITEM | DESCRIPTION | REQ'D | PART NO |
| 1 | SHAFT | 1 | 16046 |
| 2 | EXT. RET. RING | 3 | 15952 |
| 3 | INT. RET. RING | 1 | 15942 |
| 4 | HOUSING | 1 | 18385 |
| 5 | END PLATE | 1 | 16047 |
| 6 | RD. HD. PIN | 1 | 18442 |
| 7 | RUBBER IMPELLER | 1 | 17000 |
| 8 | CAM | 1 | 18271 |
| 9 | CAM SCREW | 1 | 19673 |
| 10 | COVER PLATE | 1 | 18742 |
| 11 | 5/16 LOCKWASHER | 3 | 15944 |
| 12 | 5/16 HEX. CAPSCREW | 3 | 16029 |
| 13 | LIP SEAL | 1 | 18971 |
| 14 | FLANGE MOUNTING ADAPTER | 1 | 19380 |
| 15 | BALL BEARING | 2 | 15951 |
| 16 | KEY | 1 | 19209 |
| 17 | MECH. SEAL | 1 | 15954 |
| 18 | SEAL SEAT | 1 | 15953 |
| 19 | SPACER | 1 | 15940 |
| 20 | FLAT WASHER | 1 | 15959 |
| 21 | O-RING | 1 | 15945 |
| 22 | GEAR-EXT. DRIVE | 1 | 14184 |
| 23 | FLAT WASHER | 2 | 18171 |
| 24 | 3/8 SOC. HD. BOLT | 2 | 16030 |
| 25 | RUBBER CAP | 1 | 19210 |
| 26 | FLAT WASHER | 2 | 19614 |
| 29 | SEAL & SEAT ASS'Y | 1 | 15955 |
| 30 | END PLATE-PIN ASS'Y | 1 | 18441 |
| 31 | MINOR SERVICE KIT | 1 | 18284 |
| 32 | MAJOR SERVICE KIT | 1 | 18285 |



NOTES:
 1. ITEM N° 22 FURNISHED BY CUMMINS. PART N° 3902175
 2. DEGREASE ITEM N° 24 & TAPPED HOLES IN ITEM N° 14 PRIOR TO ASSEMBLY WITH "LOCTITE PRIMER N° 25556 FOLLOWED BY "LOCTITE" N° 262 TORQUE BOLTS 18 LB-FT

| REV. | DESCRIPTION | APPR. | DATE |
|------|-----------------------------|-------|---------|
| E | N° 19673 SCREW WAS N° 10515 | AVB | 8/6/91 |
| D | LOC-TITE N° 262 WAS 271 | AVB | 8/6/91 |
| C | N° 15959 WASHER WAS 3 REQ'D | AVB | 8/6/91 |
| B | N° 19614 FLAT WASHER ADDED | AVB | 8/6/91 |
| A | 5.76 CORRECTION FROM 5.66 | AVB | 8/21/91 |

| | |
|---|--|
| UNLESS OTHERWISE SPECIFIED CAST DIMENSIONS ± .02 FILLETS & RADI .06 FINISH STOCK .07 MACHINING TOLERANCE INCHES XX ± .01, XXX ± .005 SURFACE ROUGHNESS ANGLES ± 0° 30' CORNER BREAKS .01 MAX. | SHERWOOD A Division of Waukesha-Chicago 8331 E. Waukesha Ave., Waukesha, Wis. 53186 |
| DRAFTSMAN: AVB DATE: 8/10/90 CHECKER: AVB DATE: 8/6/91 TITLE: RUBBER IMPELLER PUMP MATERIAL: SEE DETAILS DWG. NO.: P1712 | PARALLELISM .001 FLATNESS .001 SQUARENESS .001 CONCENTRICITY .001 ROUNDNESS .0002 RUNOUT .001 |