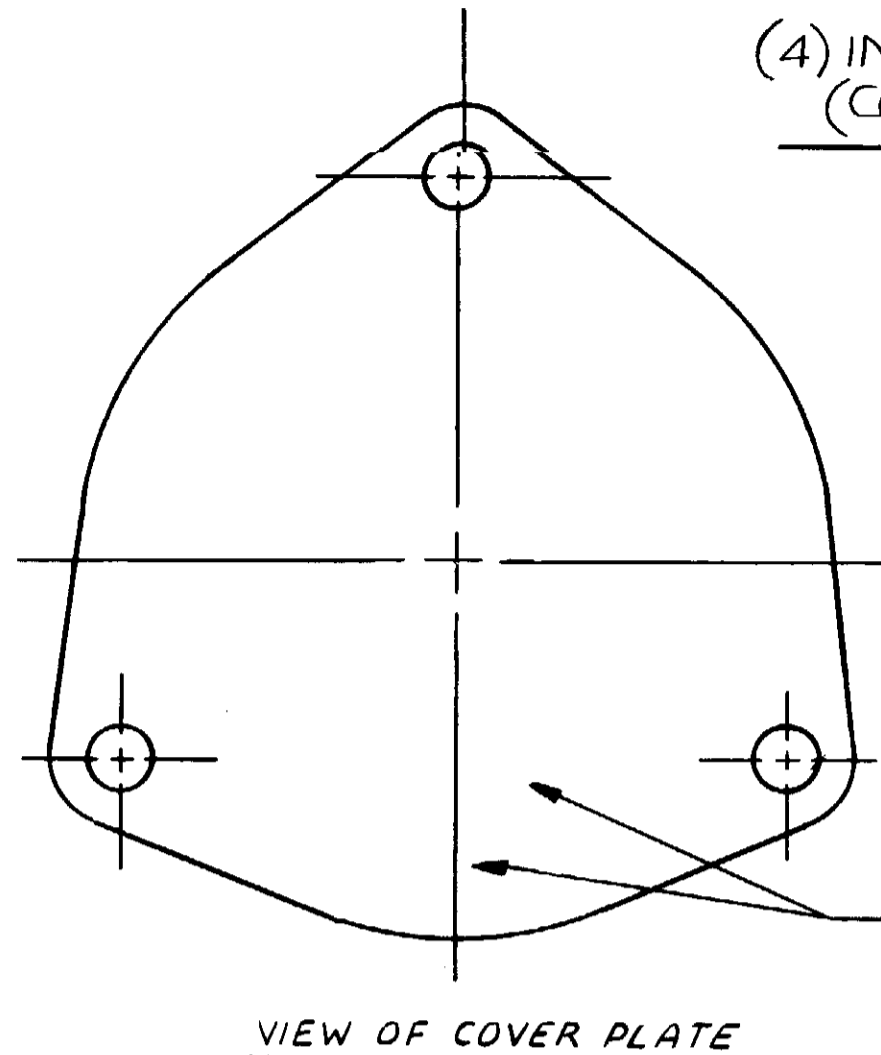


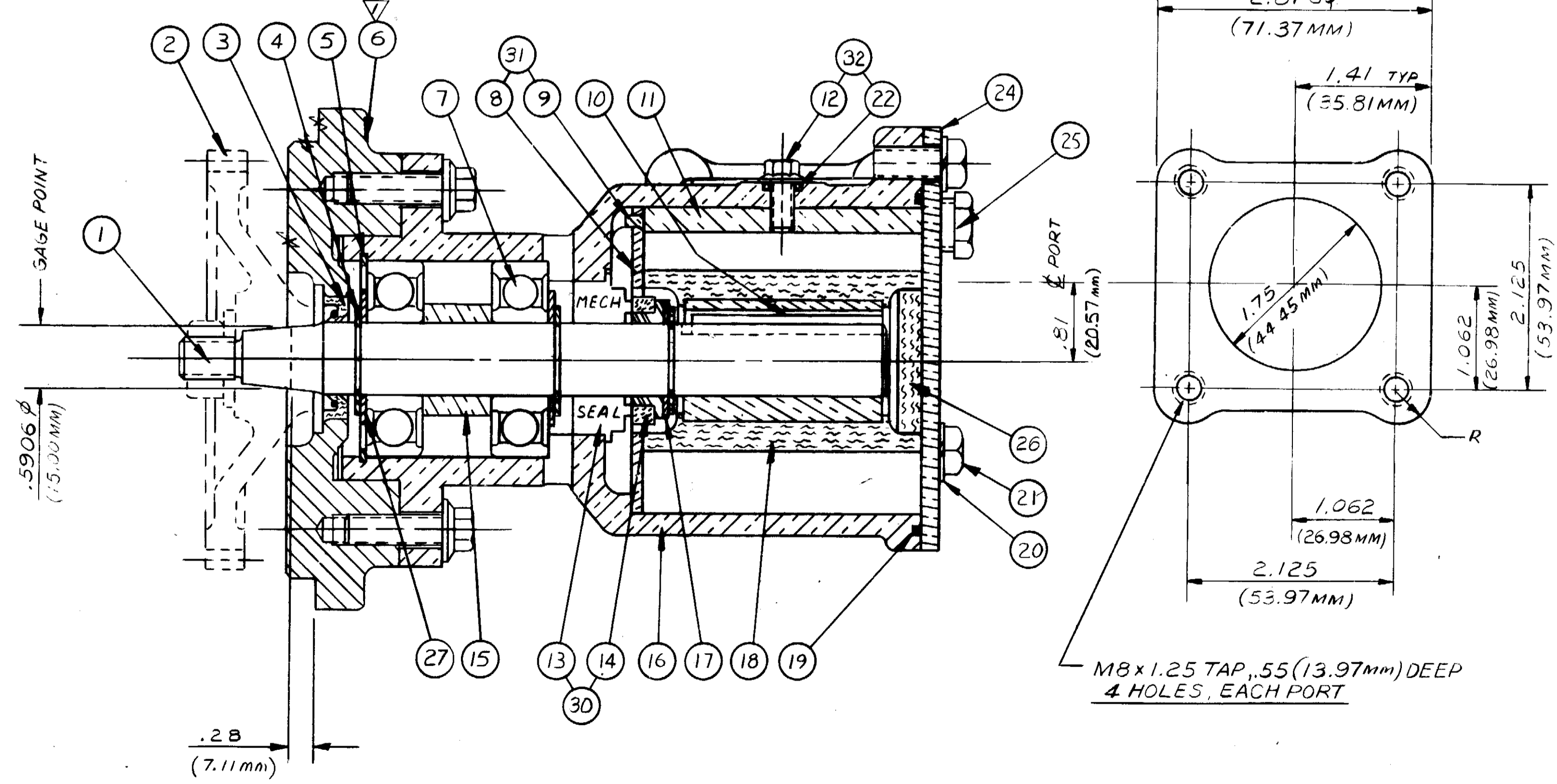
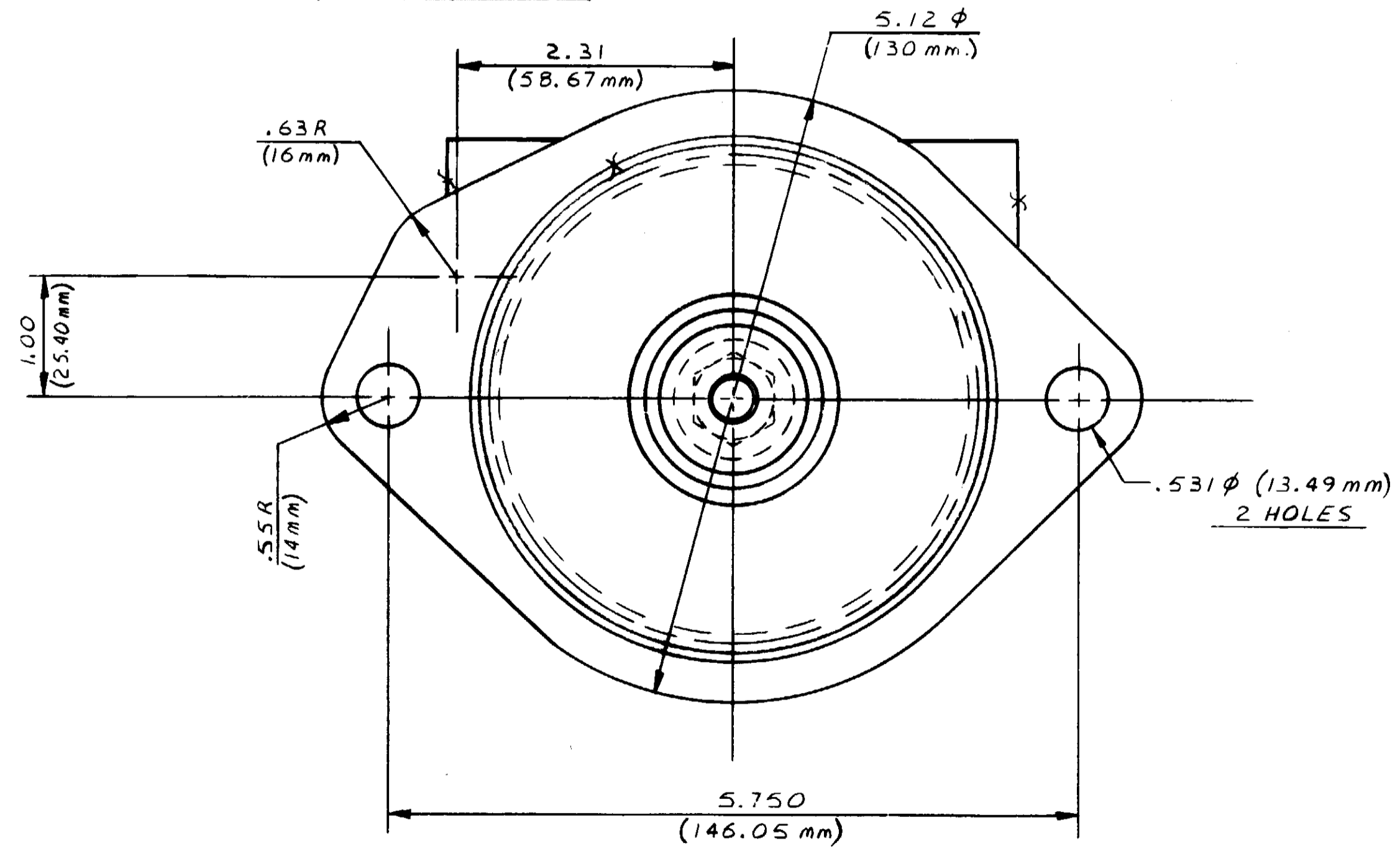
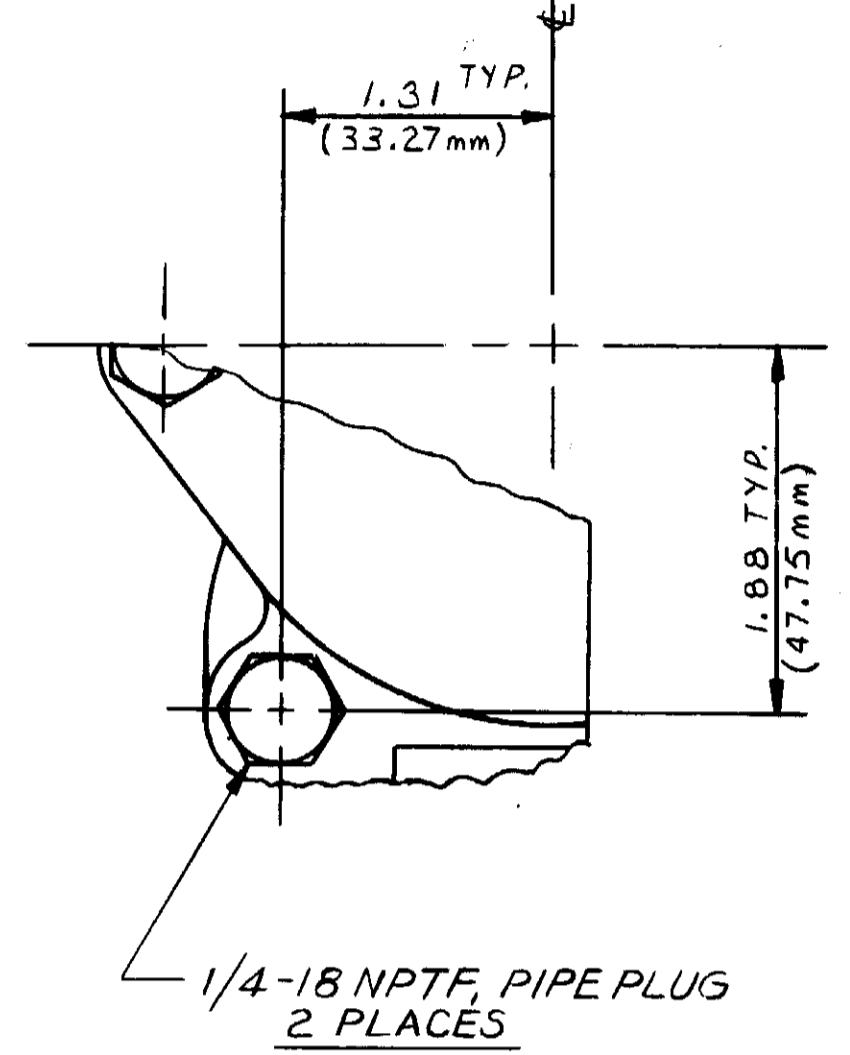
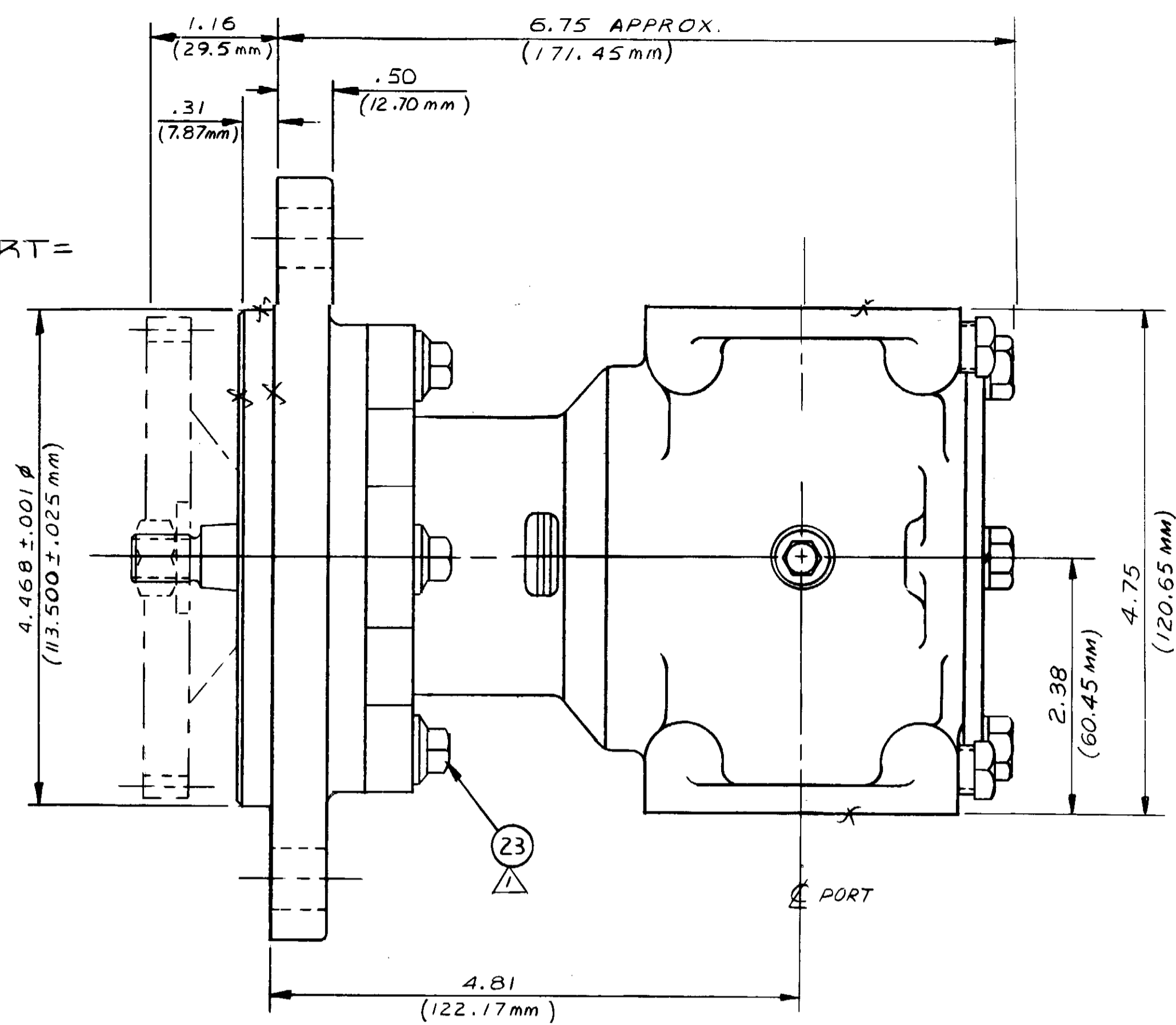
PARTS LIST

ITEM	DESCRIPTION	QTY.	PART NO.	CATERPILLAR PART NO.	ITEM	DESCRIPTION	QTY.	PART NO.	CATERPILLAR PART NO.
1	SHAFT	1	19706	6I2072	34	STRAIGHT CAP	1	213260	
2	№ 9Y3B29 GEAR ASSEMBLED BY CATERPILLAR				35	TUBE CONTAINER	1	14120	
3	LIP SEAL (G)	1	21776		36	INSERT	4	21325	
4	EXT. RET. RING	3	15952	4M7651	37	PAD	6	44122	
5	INT. RET. RING	1	15942	5F705B	38	PLASTIC BAG	1	18207	
6	FLANGE MOUNT. ADAPTOR	1	19699						
7	BALL BEARING	2	15951	8H4320					
8	END PLATE	1	16047						
9	END PLATE PIN	1	18442						
10	KEY	1	19667						
11	CAM	1	18271	7E0319					
12	CAM SCREW	1	19714	3E9853					
13	MECH. SEAL	1	15954						
14	SEAL SEAT	1	15953						
15	SPACER	1	19707	6I4008					
16	HOUSING	1	19683						
17	FLAT WASHER	1	15959	7E0325					
18	RUBBER IMPELLER	1	17000	7E0321					
19	O-RING	1	15945	8T2944					
20	LOCKWASHER	3	15944	9M1974					
21	M8x1.25 HEX. BOLT	3	19626	3E9854					
22	O-RING	1	19712	5F9144					
23	M8x1.25 HEX. FLANGE BOLT	4	19708						
24	COVER PLATE	1	19241	7E0317					
25	DRAIN PLUG	2	339	3E7428					
26	RUBBER PLUG	1	19210	4P5927					
27	FLAT WASHER	2	19614						
28	SPECIAL DRIVE KEY	SERVICE ITEM ONLY	15948						
29	KEY	SERVICE ITEM ONLY	19209	4P5926					
30	SEAL & SEAT ASS'Y	ITEMS 13 & 14	15955	7E0322					
31	PIN & ENDPLATE ASS'Y	ITEMS 8 & 9	18441	7E0328					
32	O-RING & CAM SCREW ASS'Y	SERVICE	19715						
33	TAPER PLUG	1	21324						



(4) INSERT x (10) CELLS / INSERT = (CO4) PUMPS / PALLET

STAMP ASS'Y NO. & DATE CODE



M8x1.25 TAP, .55 (13.97mm) DEEP 4 HOLES, EACH PORT

METRIC

NOTE
 №21 DEGREASE BOLTS PRIOR TO INSTALLATION. USE LOCTITE PRIMER # 25556 FOLLOWED BY (H) LOCTITE #262 TORQUE M8 BOLTS TO 18 LB-FT

REV	DESCRIPTION	APP'R	DATE	REV	DESCRIPTION	APP'R	DATE

UNLESS OTHERWISE SPECIFIED
 CAST DIMENSIONS ± .02
 FINISH STOCK .07
 MACHINING TOLERANCE, INCHES
 XX ± .01, XXX ± .005
 SURFACE ROUGHNESS
 ANGLES ± 0° 30'
 CORNER BREAKS .01 MAX.
 PARALLELISM .001
 FLATNESS .001
 SQUARENESS .001
 CONCENTRICITY .001
 ROUNDNESS .002
 RUNOUT .001

SHERWOOD
 A DIVISION OF HYDRO CORPORATION
 5811 E. JEFFERSON AVE. • DETROIT, MICHIGAN 48207

DRAFTSMAN	DATE	CHECKER	DATE	PAR. NO.
KB	2-13-90	AVB	2/14/90	920

TITLE
RUBBER IMPELLER PUMP

MATERIAL
 SEE DETAILS

DWG. NO.
P1710