

PARTS LIST

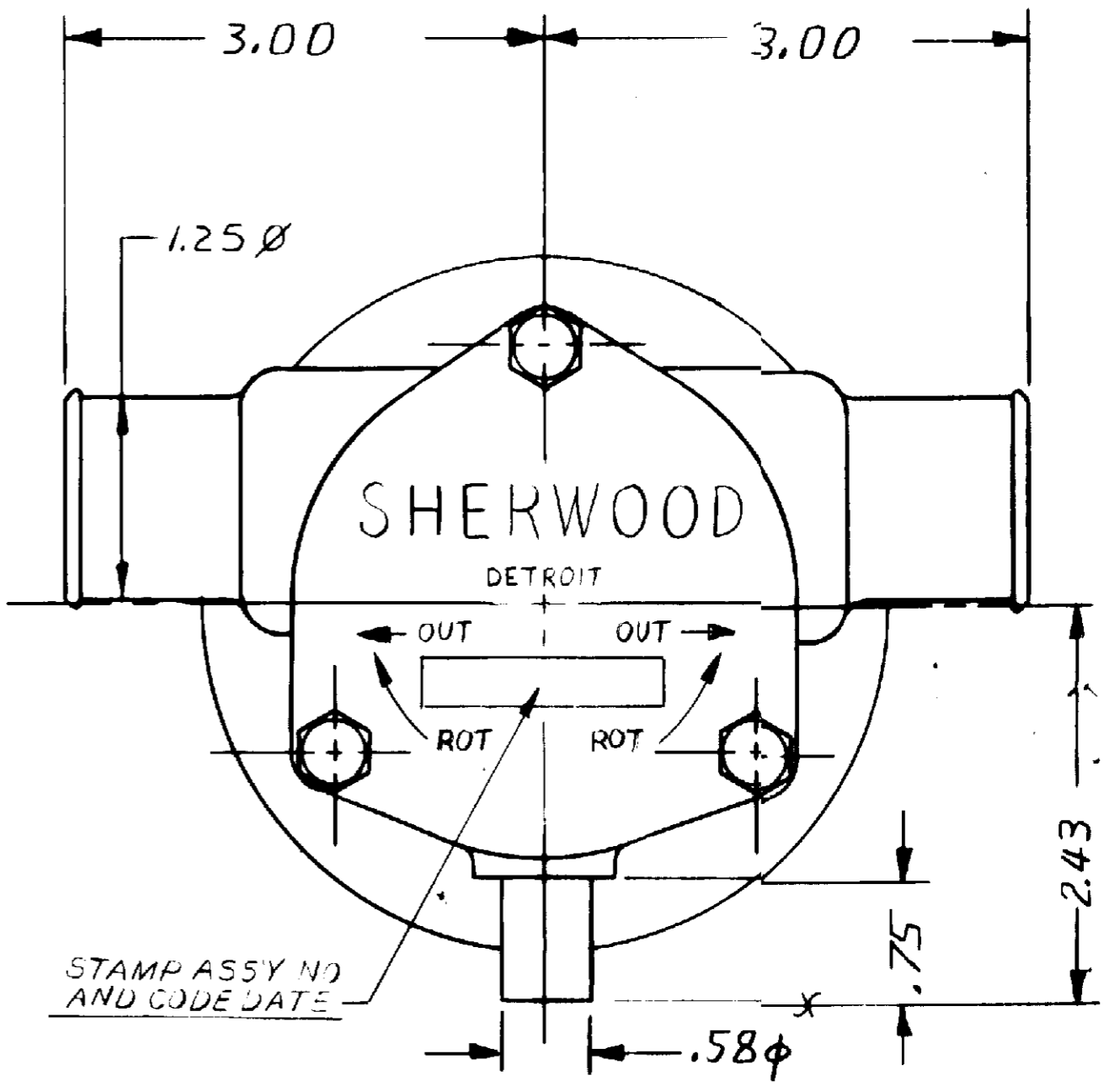
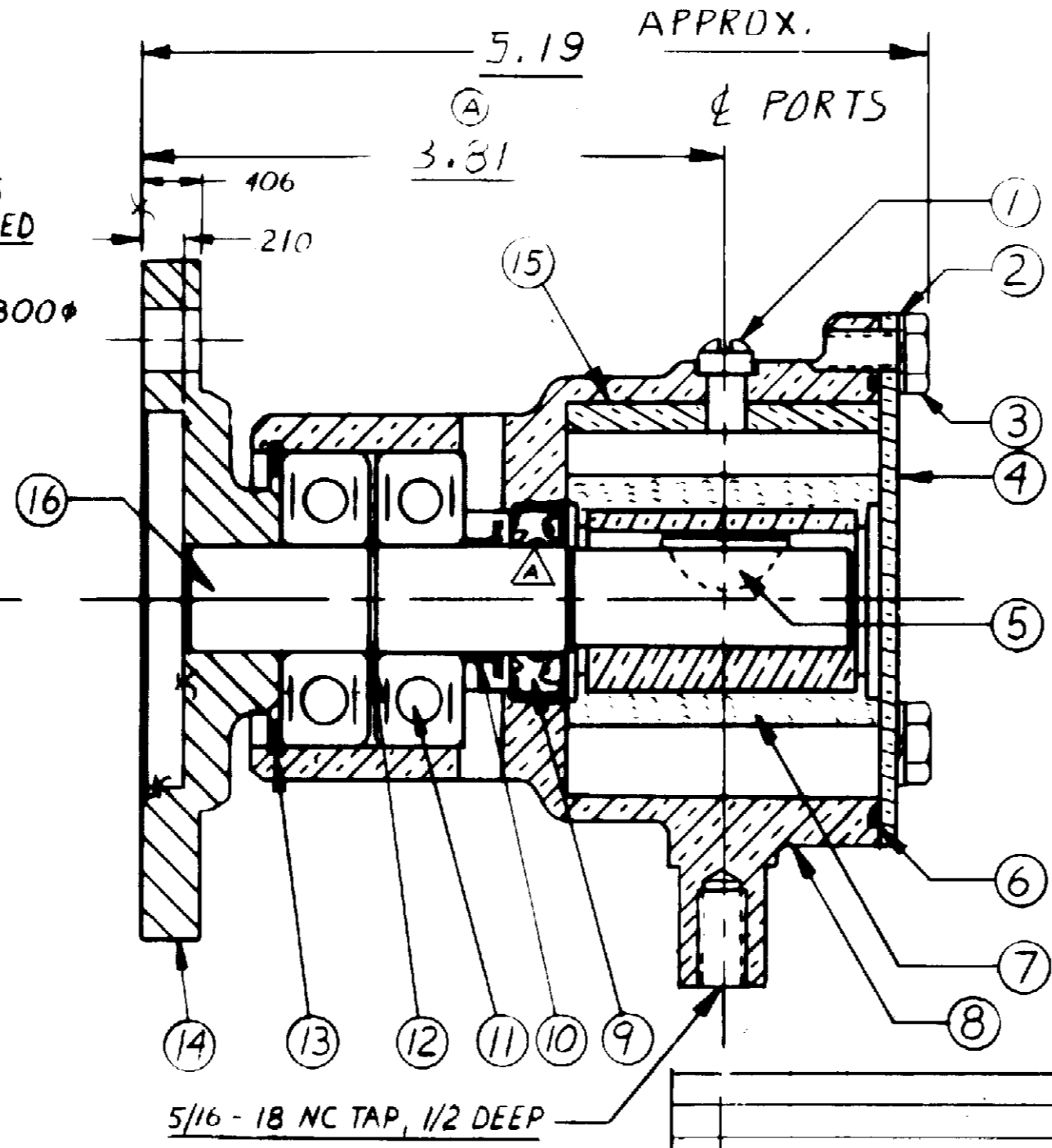
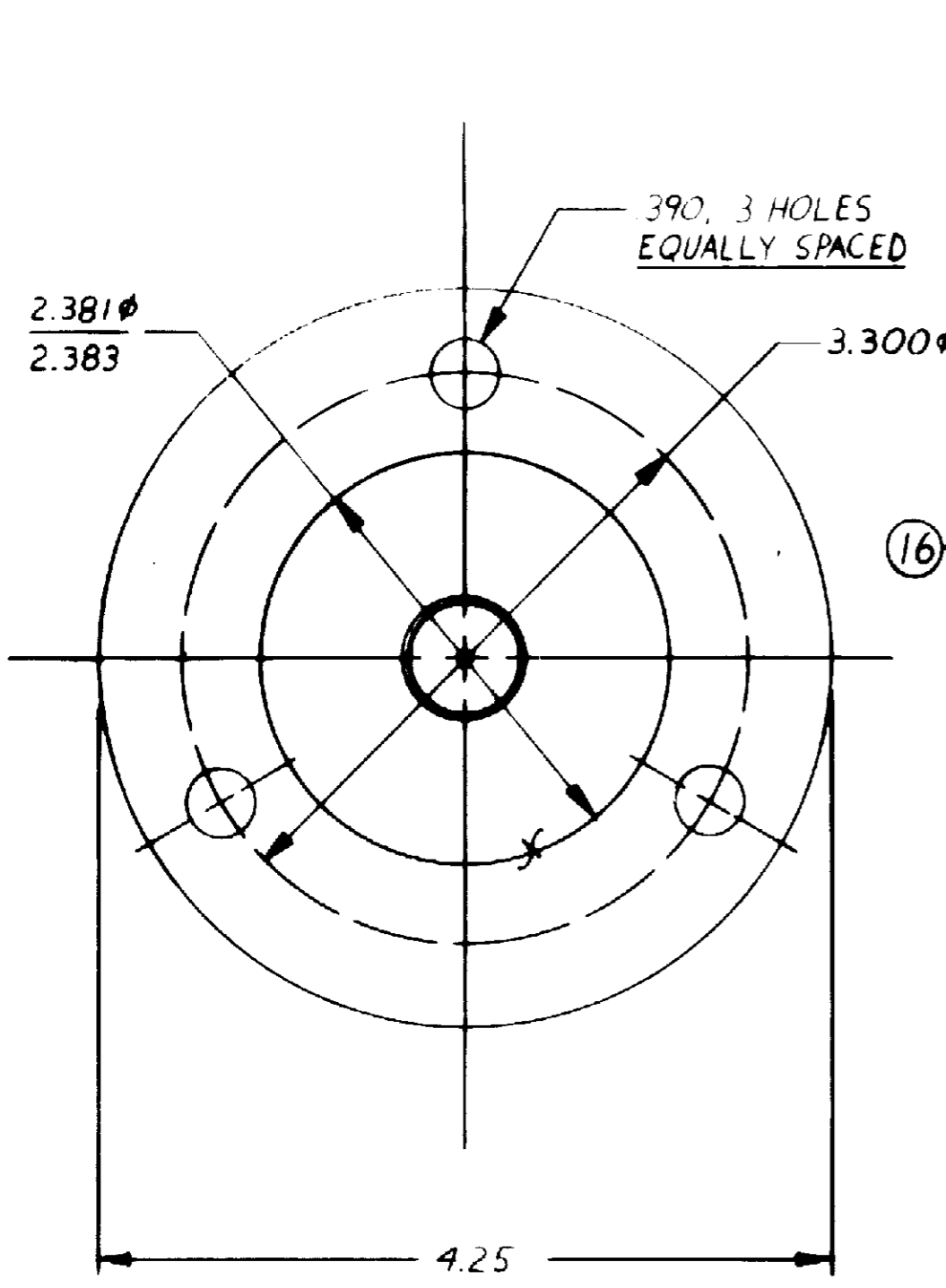
P151

ITEM	PART NO.	DESCRIPTION	QTY.
1	10515	CAM SCREW	1
2	12710	LOCKWASHER	3
3	01483	1/4 HEX. CAPSCREW	3
4	18509	COVER	1
5	4132	NO. 9 WOODRUFF KEY	1
6	12231	O-RING	1
7	15000	RUBBER IMPELLER	1
8	18660	HOUSING	1
9	18652	LIP SEAL	1
10	18666	SLINGER	1
11	18662	BALL BEARING	2
12	6037	EXT. RET. RING	1
13	8781	INT. RET. RING	1
14	18507	ADAPTOR	1
15	18398	CAM	1
16	18671	SHAFT	1
17	11516	PALLE T	1
18	14120	TUBE CONTAINER	1
19	14122	PAD	6
20	18025	INSERT	4
21	19225	SHAFT-BEARING ASSEMBLY	SERV.

△ "LUBRIPLATE" GREASE COMPLETE LIP SEAL AREA. ©

PACKAGING:
25 PUMPS/LAYER x 4 LAYERS=100 PUMPS/PALLET

UNIT PACKAGING:
Nº 17636 CARTON W 1 REQ'D
17653 JIFFY BAG Nº 5 1 REQ'D
12209 LABEL 1 REQ'D



STAMP ASSY NO AND CODE DATE

UNLESS OTHERWISE SPECIFIED		SHERWOOD	
CAST DIMENSIONS ± .02		A DIVISION OF HYPRO CORPORATION	
FILLET & RADII .06		633 1/2 E. JEFFERSON AVE. • DETROIT, MICHIGAN 48207	
FINISH STOCK .07		DRAFTSMAN	DATE
MACHINING TOLERANCE, INCHES		SH	5/24/88
XX ± .01, XXX ± .005		CHECKER	DATE
SURFACE ROUGHNESS		GAM	6/1/88
ANGLES ± 0° 30'		PROJ. NO.	778
CORNER BREAKS .01 MAX.		TITLE	
PARALLELISM .001		RUBBER IMPELLER PUMP	
FLATNESS .001		MATERIAL	DWG. NO.
SQUAINESS .001		SEE DETAILS P151	
CONCENTRICITY .001			
ROUNDNESS .002			
RUNOUT .001			
REV.	DESCRIPTION	APPR.	DATE
D	SERVICE Nº 19225 ADDED	AVB	2/1/90
C	GREASE NOTE ADDED	AVB	12/1/88
B	Nº 1483 WAS Nº 12707	AVB	12/1/88
A	3.81 WAS 3.68	AVB	8/1/88