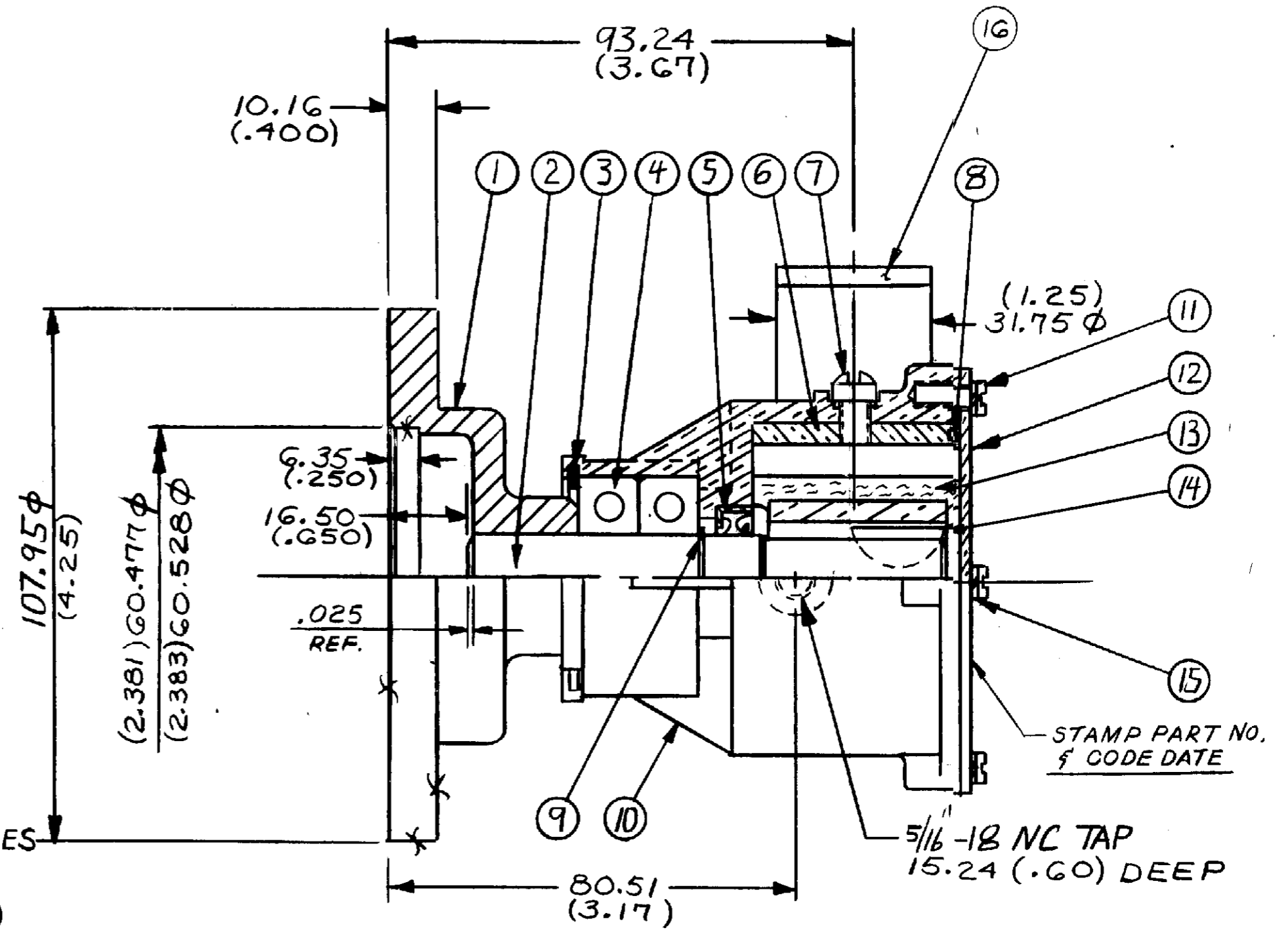
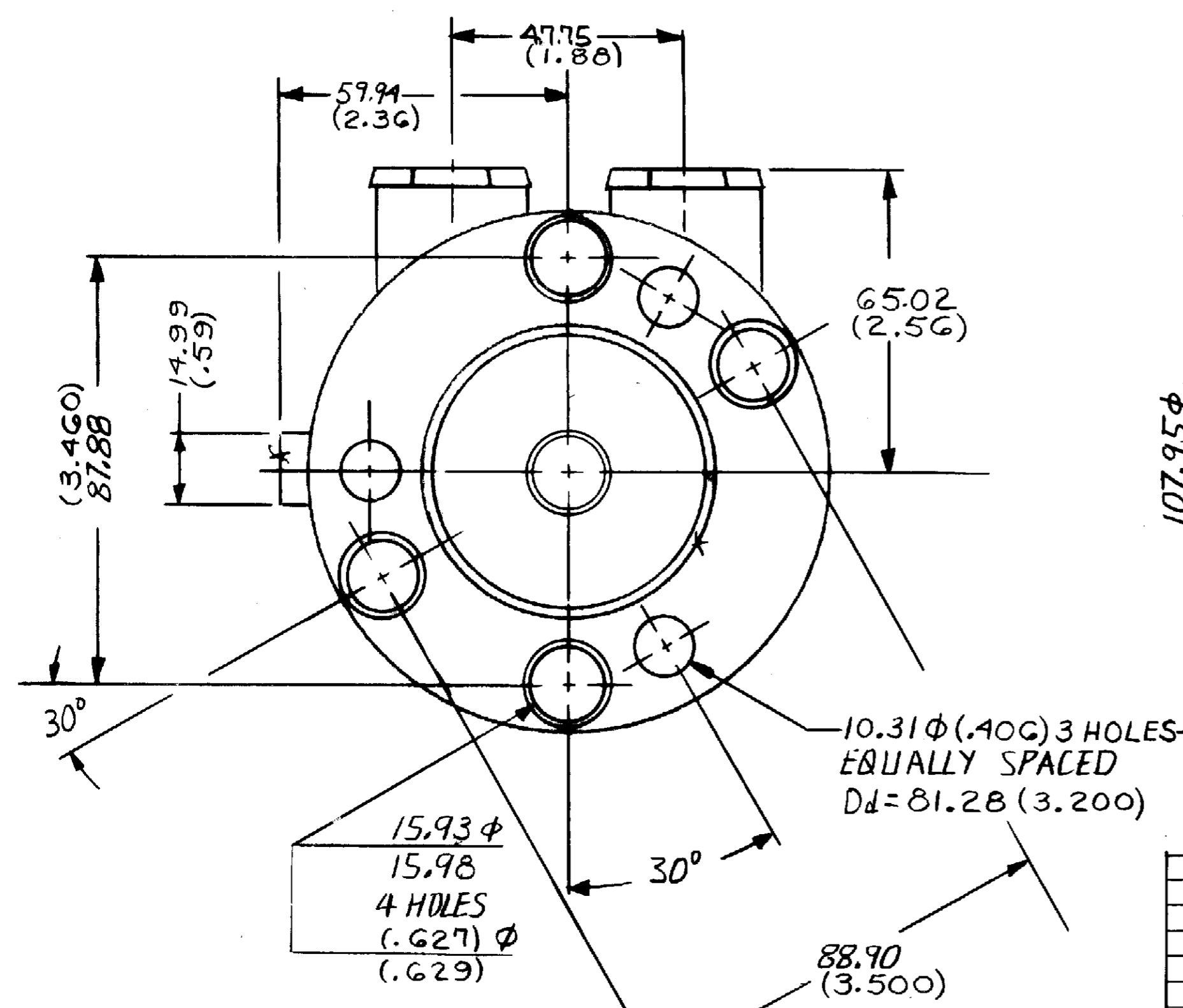


**PARTS LIST**

ITEM	DESCRIPTION	QTY	PART NO
1	ADAPTOR	1	19275
2	SHAFT	1	19308
3	INT. RET. RING	1	5126
4	BALL BEARING	2	8490
5	LIP SEAL	1	18652
6	CAM	1	10944
7	CAM SCREW	1	10515
8	O-RING	1	12231 (B)
9	EXT. RET. RING	1	6837
10	BODY	1	19728 (C)
11	SCREW	4	344
12	COVER	1	21120 (A)
13	IMPELLER	1	10615
14	KEY	1	4432
15	LOCKWASHER	4	343
16	PORT BEAD	2	19385
2,3,4,5,8,13	MAJOR REPAIR KIT	SERVICE	19354
8,13	MINOR REPAIR KIT	SERVICE	19355



METRIC / (ENGLISH)

REV.	DESCRIPTION	APPR.	DATE
C	BODY WAS NO. 18972	DEA	6-21-93
B	GASKET WAS NO. 19251	DEA	6-21-93
A	COVER WAS NO. 19386	DEA	6-21-93

UNLESS OTHERWISE SPECIFIED  
 CAST DIMENSIONS ± .02  
 FILLETS & RADII .06  
 FINISH STOCK .07  
 MACHINING TOLERANCE INCHES  
 XX ± .01, XXX ± .005  
 SURFACE ROUGHNESS  
 ANGLES ± 0° 30'  
 CORNER BREAKS R1 MAX.  
 PARALLELISM .001  
 FLATNESS .001  
 SQUARENESS .001  
 CONCENTRICITY .001  
 ROUNDNESS .0002  
 RUNOUT .001

**SHERWOOD**  
 A DIVISION OF HYPRO CORPORATION  
 6831 E. JEFFERSON AVE. • DETROIT, MICHIGAN 48207

DRAFTSMAN	DATE	CHECKER	DATE	APP. NO.
JAB	12/26/90	A.V.B	12/26/90	975

TITLE  
**RUBBER IMPELLER PUMP ASS'Y**

MATERIAL  
**SEE DETAILS**

DWG NO.  
**P105**