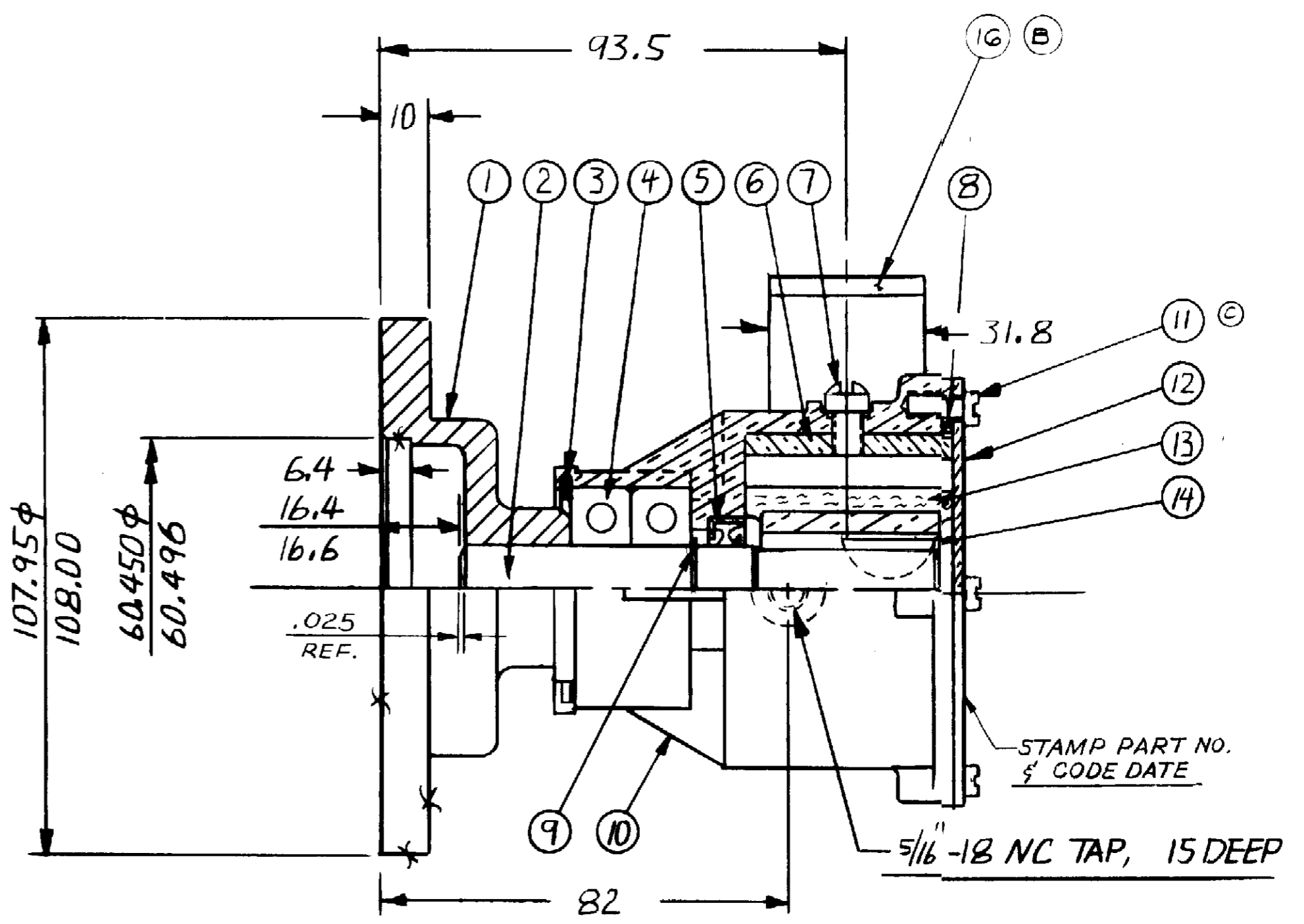
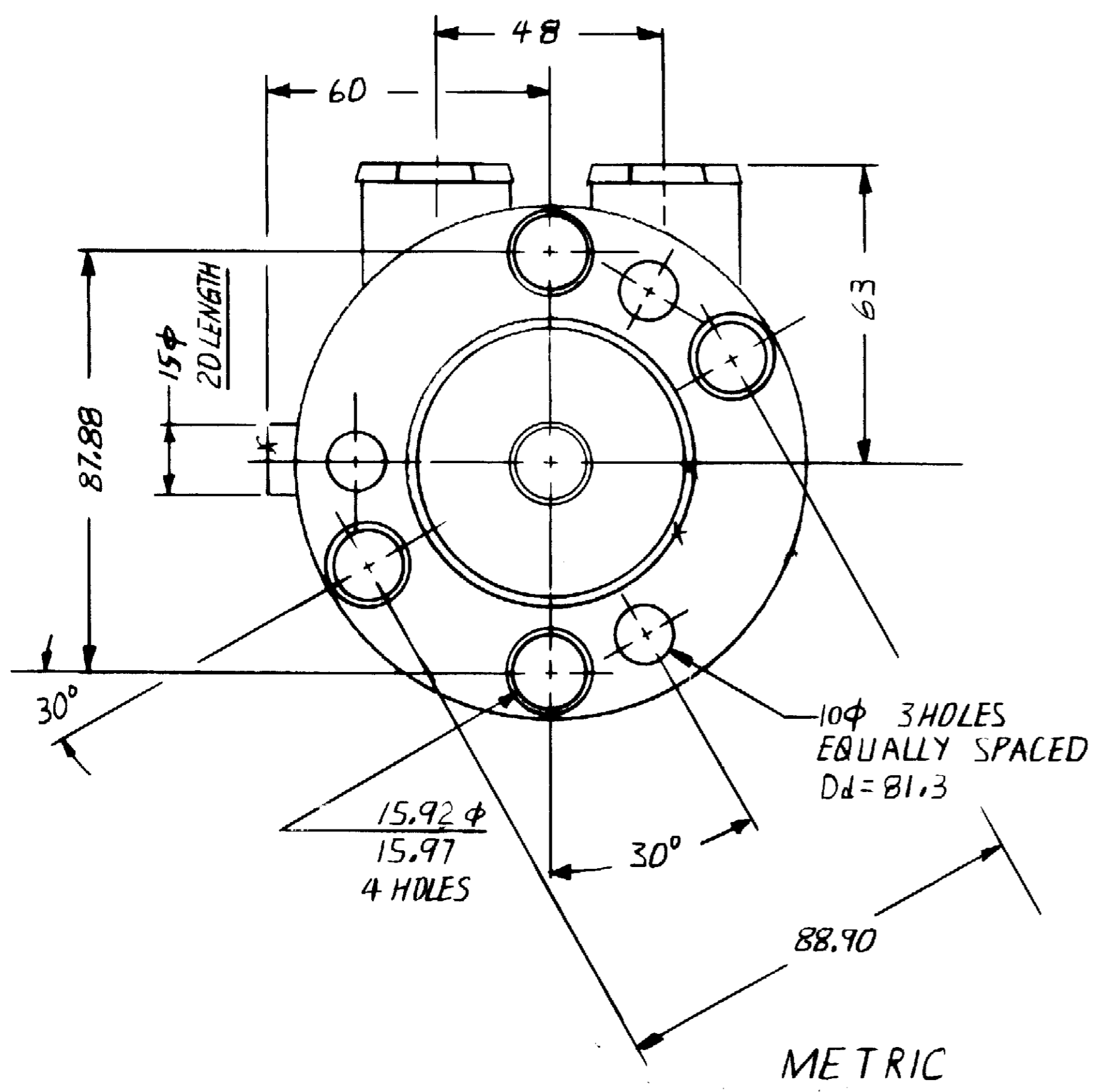


PARTS LIST

ITEM	DESCRIPTION	QTY	PART NO
1	ADAPTOR	1	19275
2	SHAFT	1	19308
3	INT. RET. RING	1	5126
4	BALL BEARING	2	8490
5	LIP SEAL	1	18652
6	CAM	1	10944
7	CAM SCREW ASS'Y	1	10515
8	O-RING	1	12231
9	EXT. RET. RING	1	6837
10	BODY	1	19728
11	SCREW	4	13293
12	COVER	1	21120
13	IMPELLER	1	10615
14	KEY	1	4432
16	PORT BEAD	2	19385
2,3,4,5,10,13	MAJOR REPAIR KIT	SERVICE	19354
8,13	MINOR REPAIR KIT	SERVICE	19355



REV	DESCRIPTION	APPR	DATE
G	REMOVED LOCKWASHER # 343	DJA	9-17-93
F	COVER WAS NO 19291	DEA	6-21-93
E	WAS GASKET No 19251	KRS	6-10-93
D	WAS No 18972	KRS	6-10-93
C	SCREW WAS No 344	ZB	8-21-91
B	18972 WAS 19244, ADDED 19385	JAB	10-25-90
A	COVER WAS No 19290	KB	11-6-90

UNLESS OTHERWISE SPECIFIED  
 CAST DIMENSIONS ± .02  
 FILETS & RADII .06  
 FINISH STOCK .07  
 MACHINING TOLERANCES INCHES  
 XX ± .01, XXX ± .005  
 SURFACE ROUGHNESS  
 ANGLES ± 0° 30'  
 CORNER BREAKS R1 MAX.  
 || PARALLELISM .001  
 □ FLATNESS .001  
 ⊞ SQUARENESS .001  
 ⊙ CONCENTRICITY .001  
 ○ ROUNDNESS .002  
 RUNOUT .001

**SHERWOOD**  
 A DIVISION OF HYPRO CORPORATION  
 6331 E. JEFFERSON AVE. • DETROIT, MICHIGAN 48207

DRAFTSMAN	DATE	CHECKER	DATE	PROJ. NO.
SH	3/14/90	AVB	7/1/90	907

TITLE  
**RUBBER IMPELLER PUMP ASS'Y**

MATERIAL	DWG. NO.
SEE DETAILS	P102