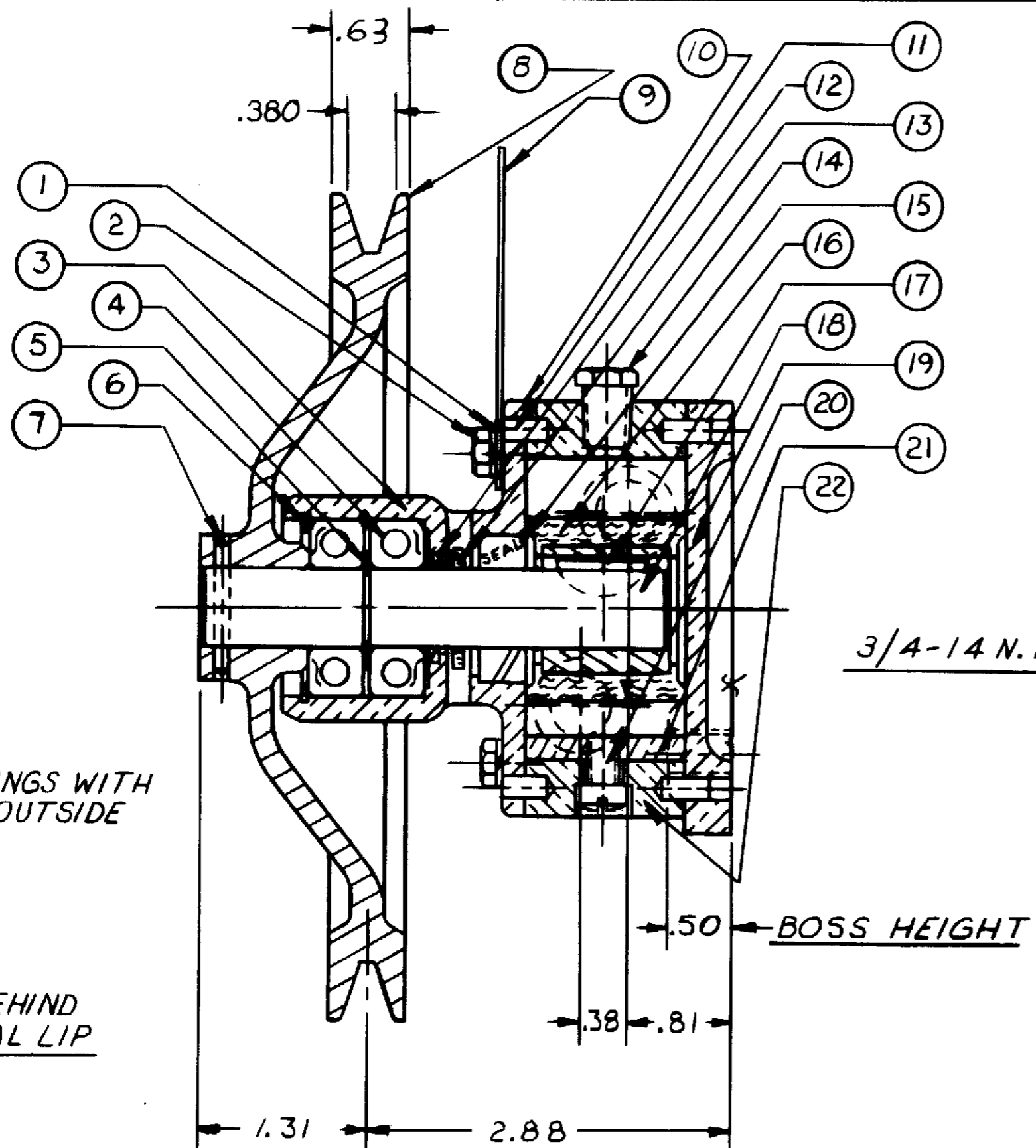


PARTS LIST

ITEM	PART N ^o	DESCRIPTION	QTY.	ITEM	PART N ^o	DESCRIPTION	QTY.
1	343	LOCK WASHER	12	16	9959	IMPELLER	1
2	8296	HX. HD. SCREW	6	17	4432	N ^o 9 WOODRUFF KEY	1
3	10509	BODY	1	18	10506	SHAFT	1
4	4257	BALL BEARING	2	19	10508	COVER	1
5	5328	EXT. RETAIN. RING	1	20	10515	SCREW	1
6	4259	INT. RETAIN. RING	1	21	10072	CAM	1
7	6809	GROOVE PIN	1	22	10499	HOUSING	1
8	10511	PULLEY	1	23	11132	SCREW	6
9	13285	TAG	1	24	17636	CARTON	1
10	10512	GASKET	2	25	14486	JIFFY BAG	1
11	1311	DOWEL PIN	4	26	12209	LABEL	1
12	10513	OIL SEAL	1	11(9) 22	10507	HOUSING ASS'Y	SERV.
13	9021	SLINGER	1		12250	MAJOR REPAIR KIT	SERV.
14	336	PLUG	2		12815	MINOR REPAIR KIT	SERV.
15	10514	LIP SEAL	1				

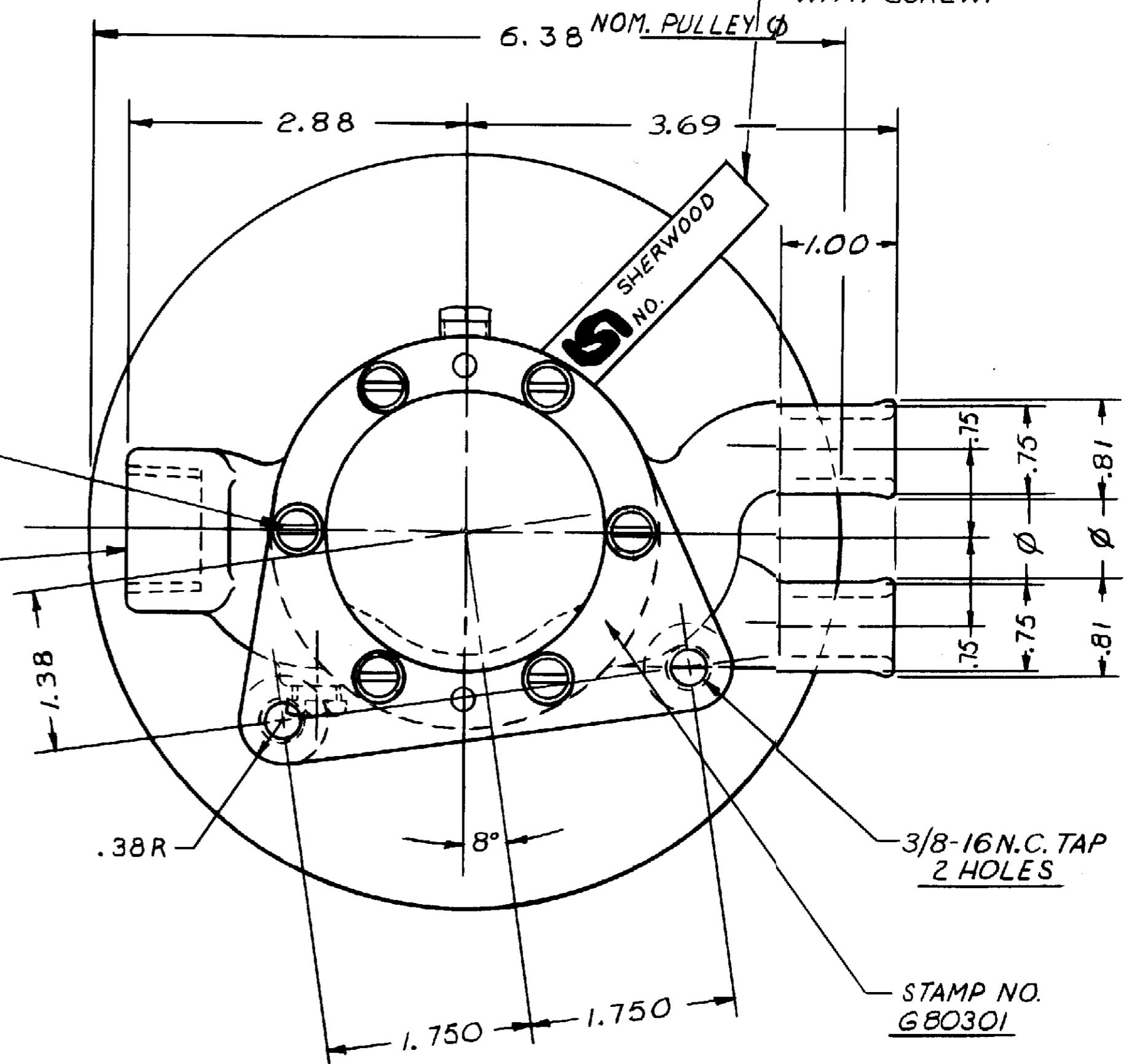


ASSEMBLE BEARINGS WITH SEALS TO THE OUTSIDE AS SHOWN

GREASE PACK BEHIND BEARING AT SEAL LIP

CAPACITY
3.0 G.P.M. EACH PORT
@ 1000 R.P.M.

COUNTER-CLOCKWISE ROTATION (FROM DRIVE END)



-STAMP PUMP ASS'Y N^o N-10460 AND DATE CODE ON TAG. ATTACH WITH SCREW.

STAMP NO. 680301

UNLESS OTHERWISE SPECIFIED		SHERWOOD A LEAR SIEGLER COMPANY 6331 E. JEFFERSON AVE. • DETROIT, MICHIGAN 48207	
CAST DIMENSIONS ± .02	FILLET & RADII .06	FINISH STOCK .07	MACHINING TOLERANCE, INCHES
XX ± .01, XXX ± .005	SURFACE ROUGHNESS	ANGLES ± 0° 30'	CORNER BREAKS .01 MAX.
PARALLISM .001	FLATNESS .001	SQUARNESS .001	CONCENTRICITY .001
ROUNDNESS .0002	RUNOUT .001		
REV. J	DESCRIPTION REDRAWN WITHOUT CHANGE	APPR. KB	DATE 11-10-81
MATERIAL SEE DETAILS		DWG. NO. N-10460	