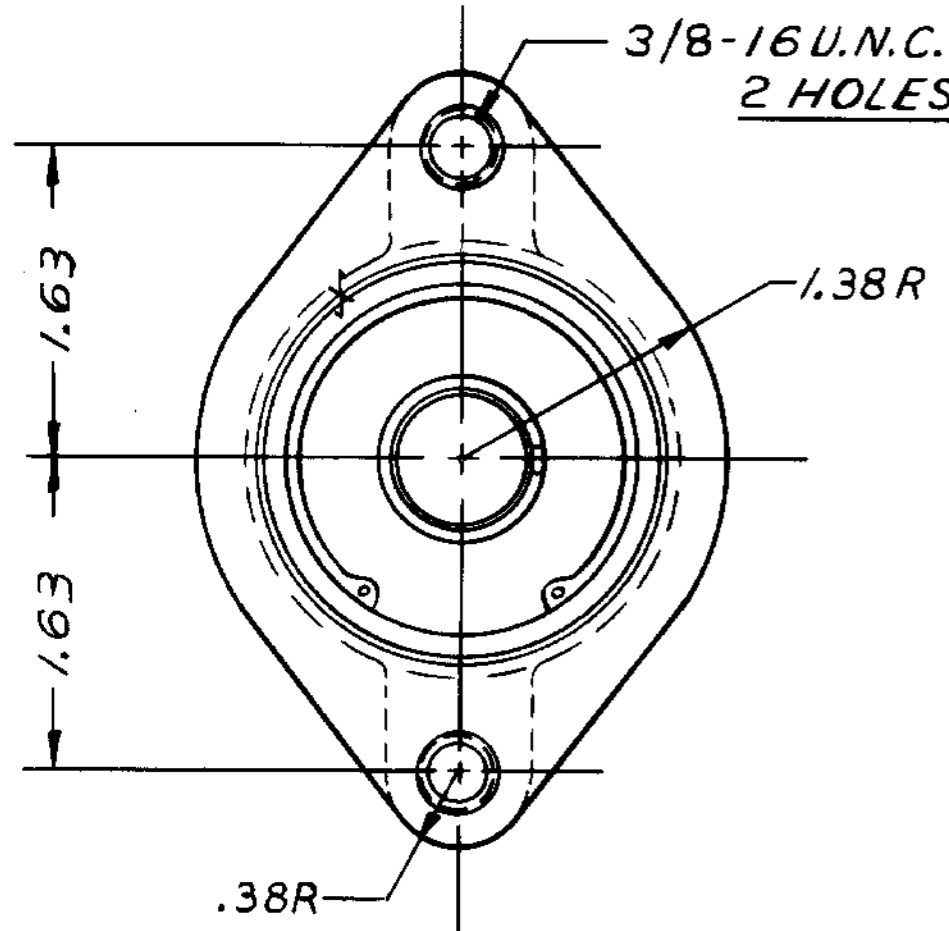
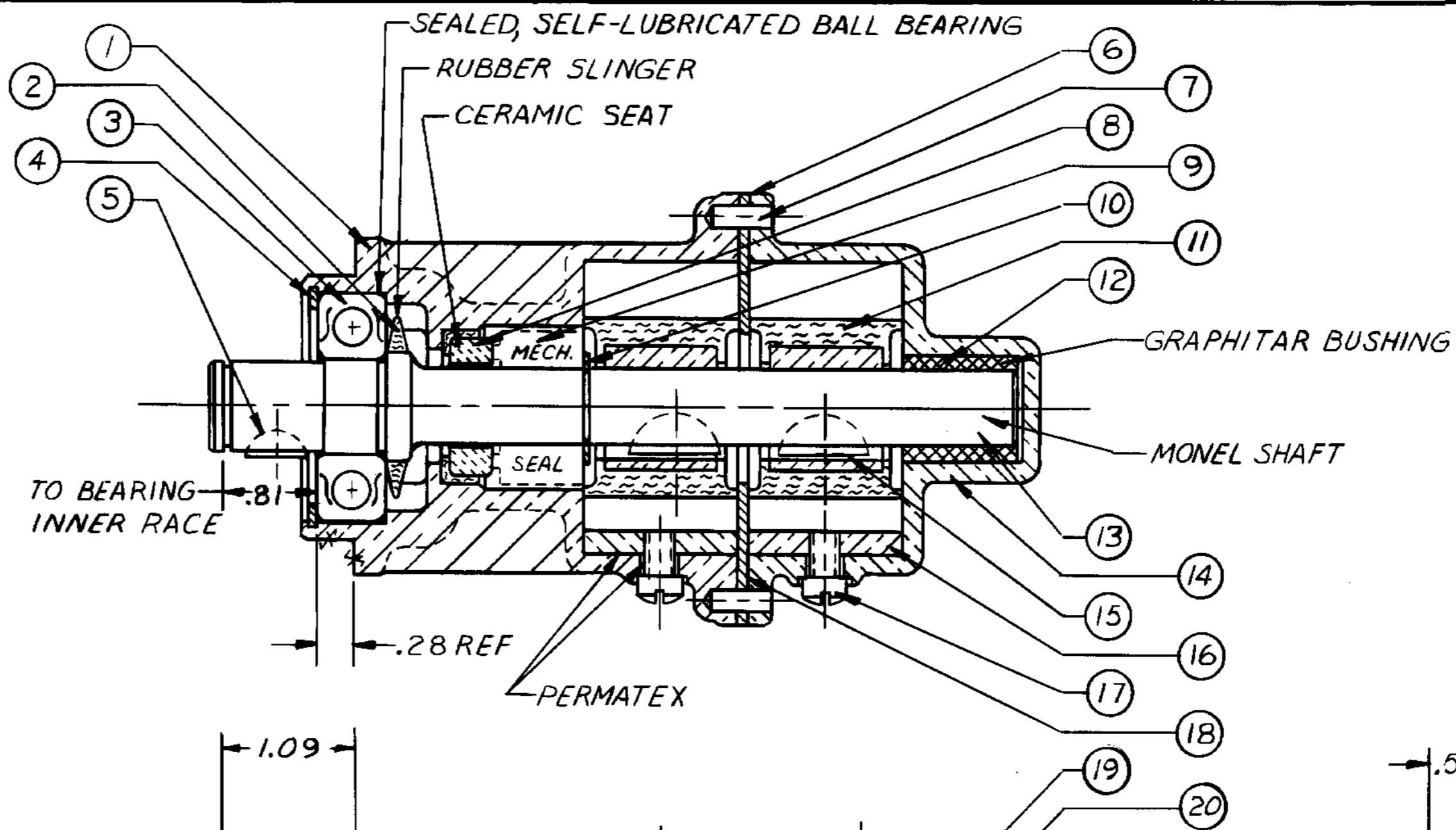
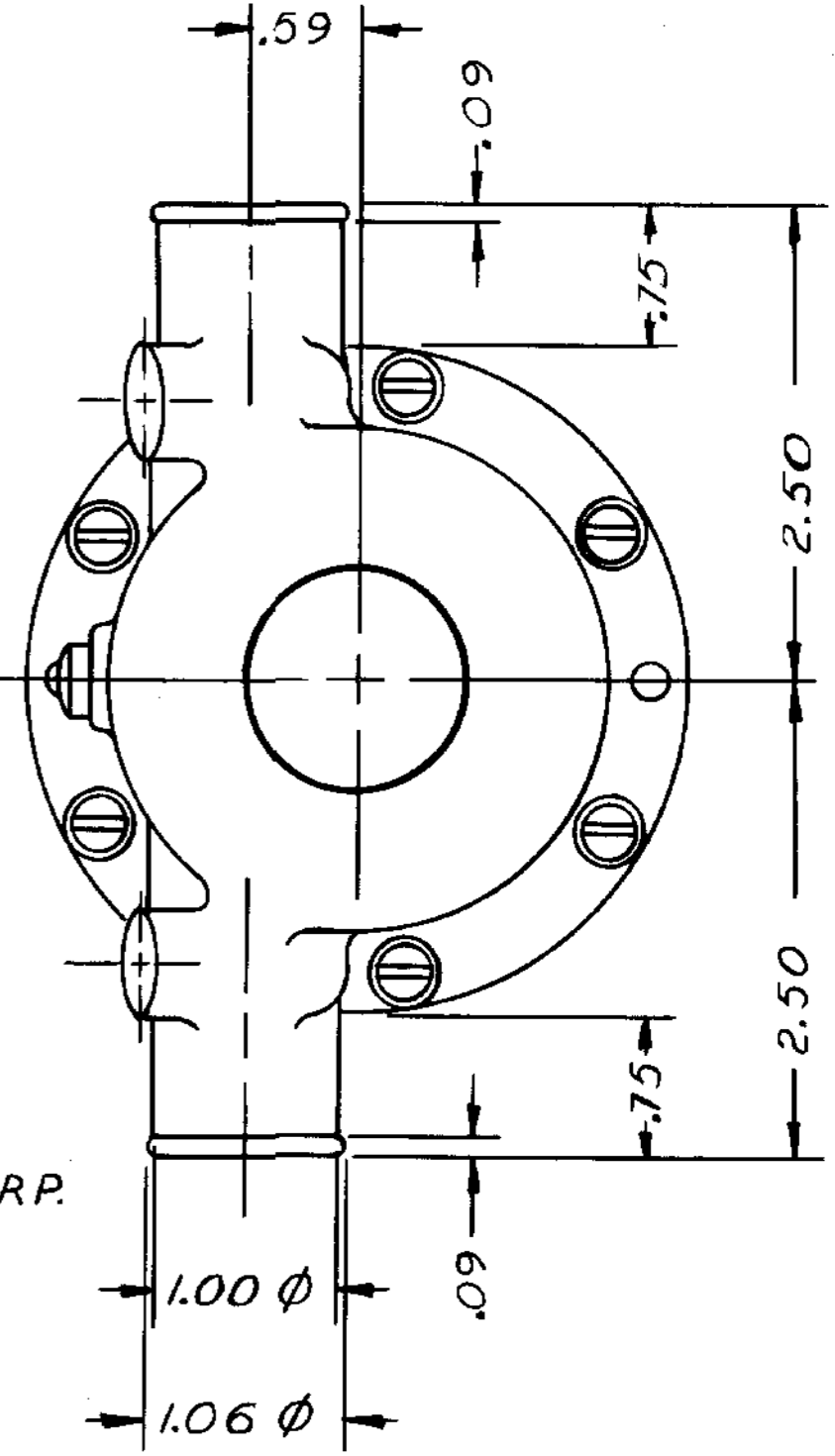
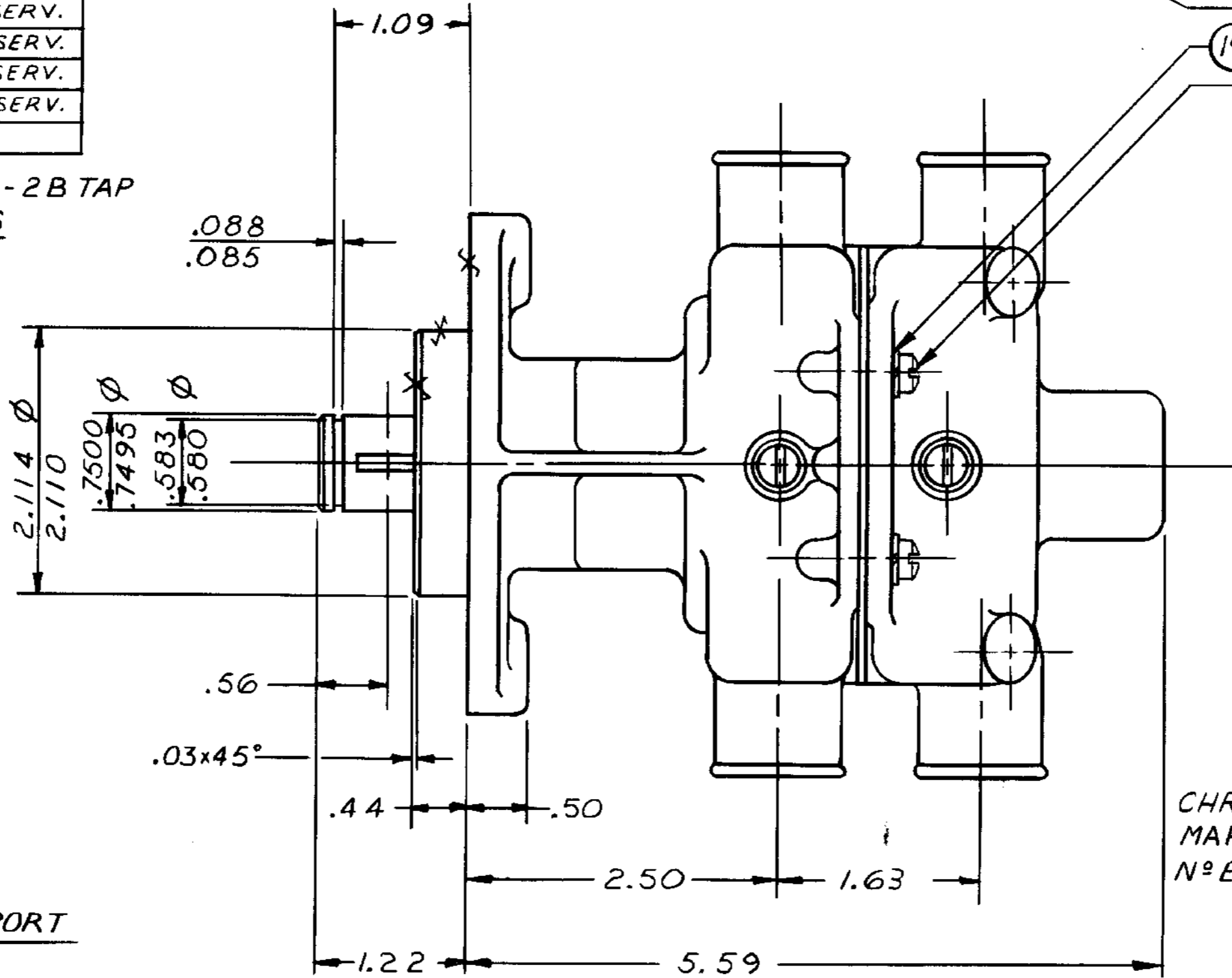


PARTS LIST

ITEM	PART N°	DESCRIPTION	QTY.
1	10488	BODY	1
2	4425	SLINGER	1
3	7381	BALL BEARING	1
4	8781	EXT. RETAINING RING	1
5	10496	N° 3 WOODRUFF KEY	1
6	10609	GASKET	2
7	413	DOWEL PIN 3/16 X 1/2	2
8	10389	SEAL SEAT	1
9	10523	MECHANICAL SEAL	1
10	4258	EXT. RETAINING RING	1
11	9959	IMPELLER	2
12	6333-G	BUSHING	1
13	10501	SHAFT	1
14	10611	COVER	1
15	4432	N° 9 WOODRUFF KEY	2
16	10627	CAM	2
17	10515	SCREW 4-20 X 3/8	2
18	10625	SPACER PLATE	1
19	343	LOCK WASHER	6
20	5771	SCREW 10-24 X 5/8	6
1 & 7(2)	10502	BODY ASS'Y	SERV.
12 & 14	10619	COVER ASS'Y	SERV.
8 & 9	10545	SEAL & SEAT ASS'Y	SERV.
	12814	MAJOR REPAIR KIT	SERV.
	10656	MINOR REPAIR KIT	SERV.



CAPACITY
20.0 G.P.M. @ 3600 R.P.M., EACH PORT



CHRYSLER CORP.
MARINE DIV.
N° E-7584-M

FLOW CURVE REF. G-30

UNLESS OTHERWISE SPECIFIED CAST DIMENSIONS ± .02 FILLETS & RADII .06 FINISH STOCK .07 MACHINING TOLERANCE, INCHES XX ± .01, XXX ± .005 SURFACE ROUGHNESS ANGLES ± 0° 30' CORNER BREAKS .01 MAX.		SHERWOOD A LEAR SIEGLER COMPANY 6331 E. JEFFERSON AVE. • DETROIT, MICHIGAN 48207	
▭ PARALLISM .001 ▭ FLATNESS .001 ▭ SQUARENESS .001 ○ CONCENTRICITY .001 ○ ROUNDNESS .0002 ▭ RUNOUT .001		DRAFTSMAN DATE CHECKER DATE ASSY NO. AVB 9-23-60 WJF 9-23-60	
I REDRAWN WITHOUT CHANGE KB 11-6-81		TITLE IMPELLER PUMP ASS'Y	
REV. DESCRIPTION APPR DATE		MATERIAL DWG. NO. SEE DETAILS N-10390-G	