

PARTS LIST

ITEM	PART No.	DESCRIPTION	REQ'D
1	14159	SHAFT	1
2	14161	EXT. RET. RING	1
3	5133	SPACER	1
4	14160	BODY	1
5	4259	INT. RET. RING	2
6	12857	1/4 HEX. CAPSCREW	3
7	P-12710	1/4 LOCKWASHER	3
8	12855	GASKET	1
9	12231	O-RING GASKET	1
10	10944	CAM (.188)	1
11	10515	CAM SCREW	1
12	4432	Nº9 WOODRUFF KEY	1
13	14095	MOUNTING ADAPTER	1
14	14162	O-RING GASKET	1
15	12211	BALL BEARING	2
16	4258	EXT. RET. RING	2
17	12856	END PLATE	1
18	12314	MECH. SEAL	1
19	12256	SEAL SEAT	1
20	4264	FLAT WASHER	1
21	10615	RUBBER IMPELLER	1
22	12228	HOUSING	1
23	4991	3/8 LOCKWASHER	2
24	14163	3/8 HEX. CAPSCREW	2
25	12322	SEAL & SEAT ASS'Y	SERVICE
26	12394	MINOR REPAIR KIT	SERVICE
27	14185	MAJOR SERVICE ASSY	SERVICE
28	14184	GEAR EXT. DRIVE	1

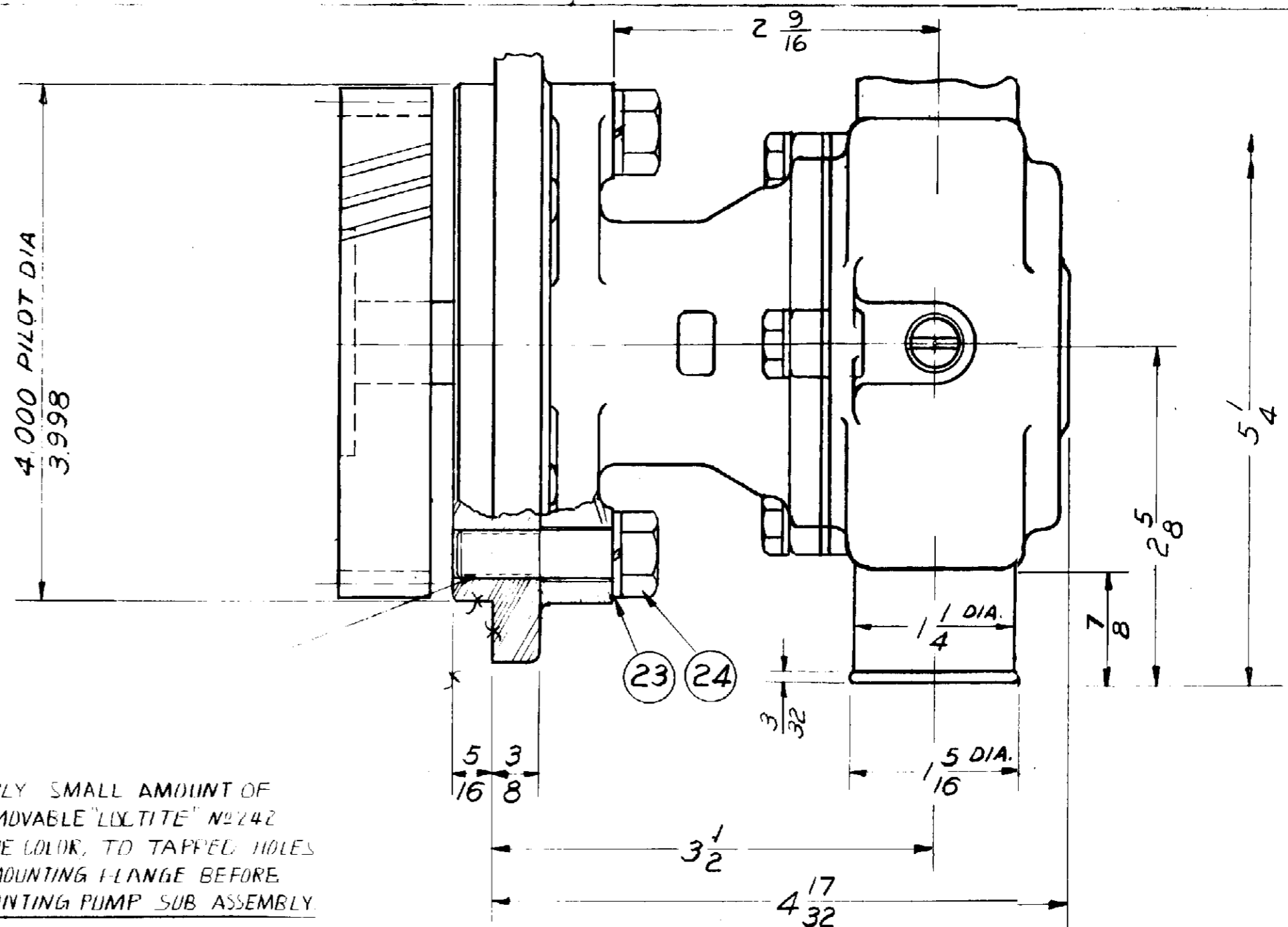
SERVICE ASS'Y	COMPONENT ITEMS
12322 SEAL & SEAT ASS'Y	ITEMS 18 & 19
12394 MINOR REPAIR KIT	ITEMS 8, 9, 21 & 25
14185 MAJOR REPAIR KIT	ITEMS 1, 2, 3, 4, 5, 12, 13, 14, 15, 16, 20, 23, 24, 25, 28

PACKAGING:

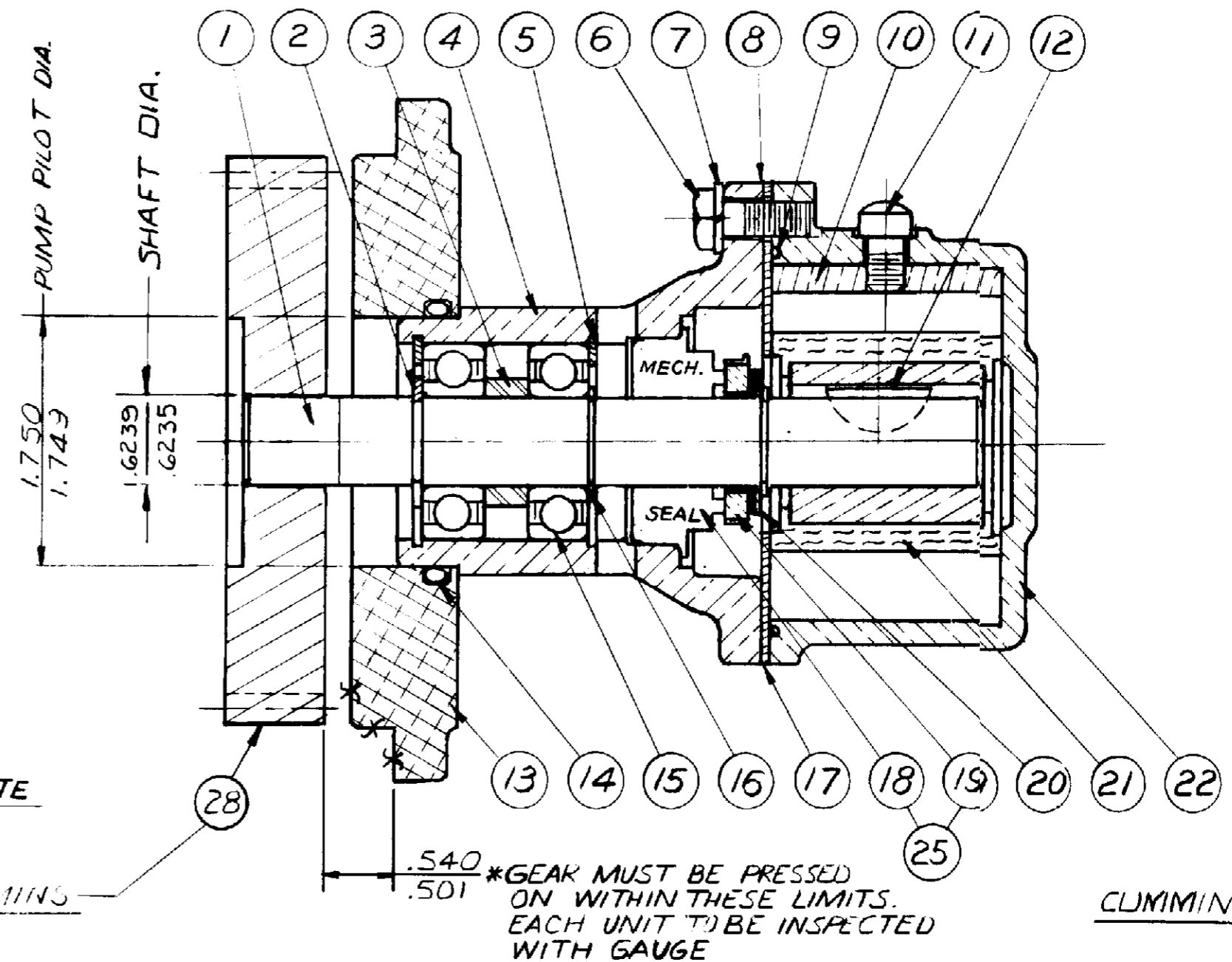
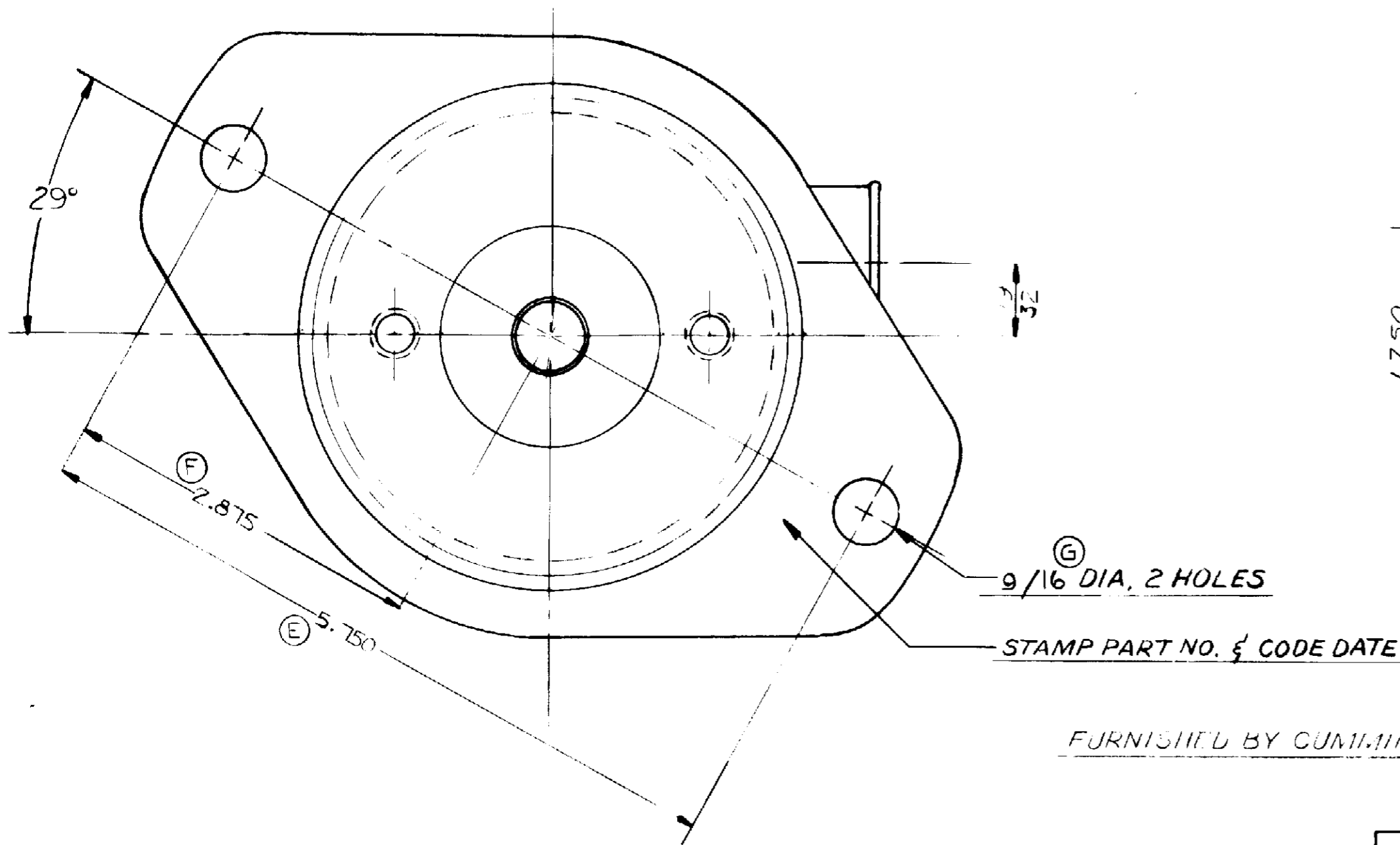
Nº 11516 PALLET 1 REQ'D
 14120 TUBE CONTAINER 1 REQ'D
 14122 PADS 6 REQ'D
 18025 INSERTS 4 REQ'D
 25 PUMPS/LAYER X 4 LAYERS
 = 100 PUMPS/PALLET

UNIT PACKAGING:

Nº 17636 CARTON W 1 REQ'D
 12209 LABEL 1 REQ'D



Ⓒ — APPLY SMALL AMOUNT OF REMOVABLE "LOXITE" Nº242 (BLUE COLOR, TO TAPPED HOLES IN MOUNTING FLANGE BEFORE MOUNTING PUMP SUB ASSEMBLY.



CUMMINS #3907458

REV	DESCRIPTION	APPR	DATE
G	WAS 17/32	K.W.	12-16-93
F	WAS 2.883	K.W.	12-16-93
E	WAS 5.767	K.W.	12-16-93
D	12314 WAS 8388	SH	11-12-86
C	SEALING NOTE ADDED	SH	1-17-84
B	MAJOR SERVICE ASSY ADDED	RM	1-16-83
A	MTG. ADAPTER POSITIONING REV.	RI	1-16-83

UNLESS OTHERWISE SPECIFIED TOLERANCE TO BE			
C	CAST DIMENSION ± .020	M	MACHINED DIMENSION
F	FRACTIONAL ± .010	D	DECIMAL ± .005
A	ANGLES ± 1/2°		
M	MACHINED SURFACE ROUGHNESS		
	ALLOW 1/16 STOCK ON ALL FINISHED SURFACES FOR MACHINING		
	BREAK ALL SHARP EDGES .010 MAX		
	CAST. FILLETS AND RADII 1/16 R		

FLOW CURVES Nº 71035R & 71036R			
SHERWOOD			
A DIVISION OF HYPRO CORPORATION			
6331 E. JEFFERSON AVE. • DETROIT, MICHIGAN 48207			
DRWNSMAN	DATE	CHECKER	DATE
AVB	5/13/84		
TITLE			
RUBBER IMPELLER PUMP ASS'Y			
MATERIAL			
SEE DETAILS			
DWG NO			
M-70			