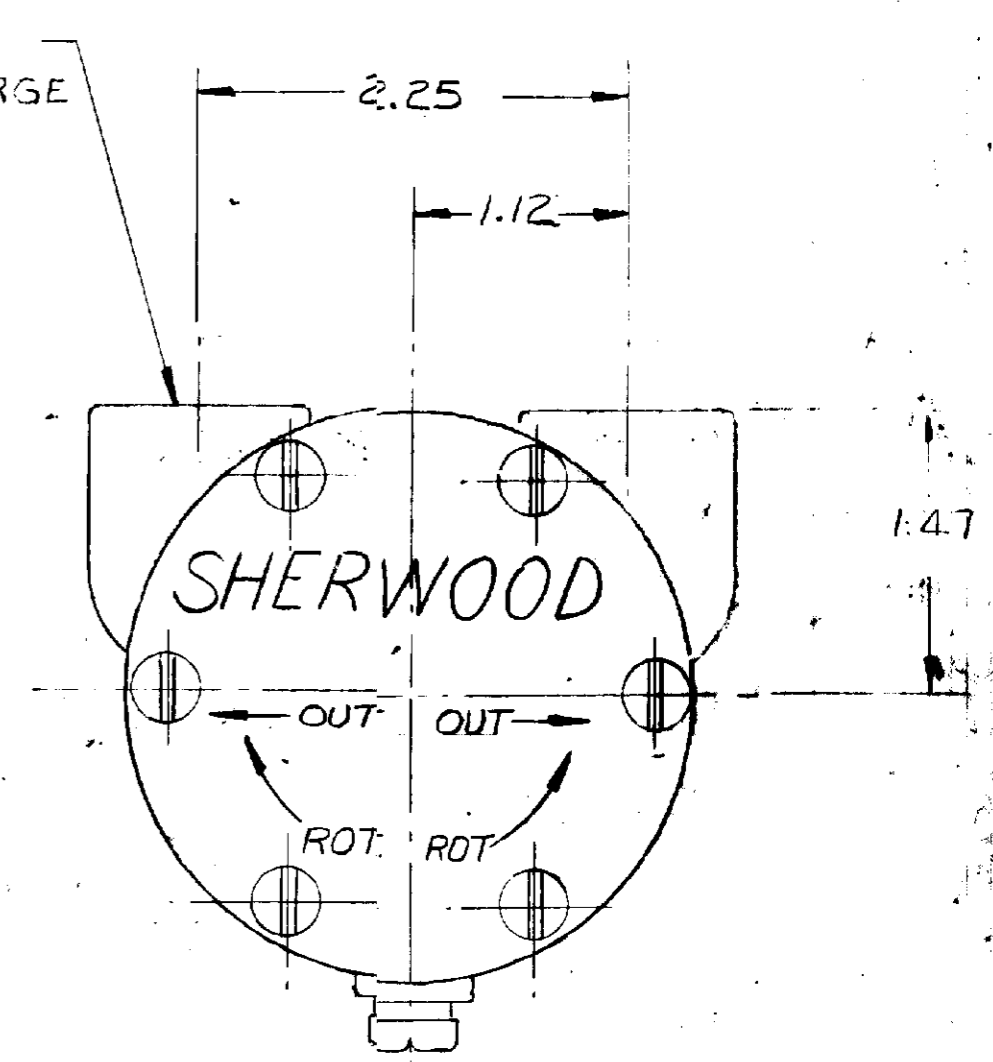
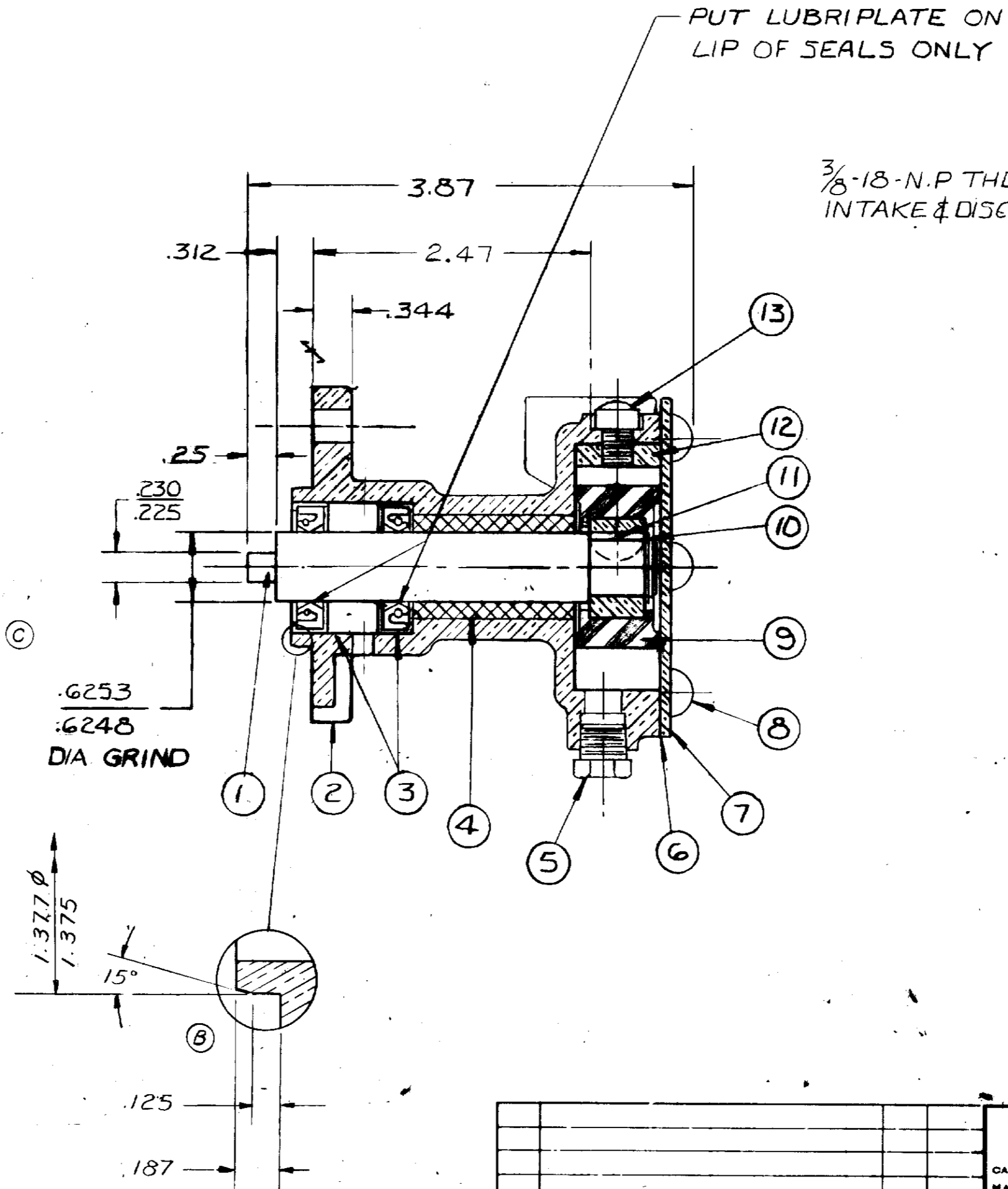
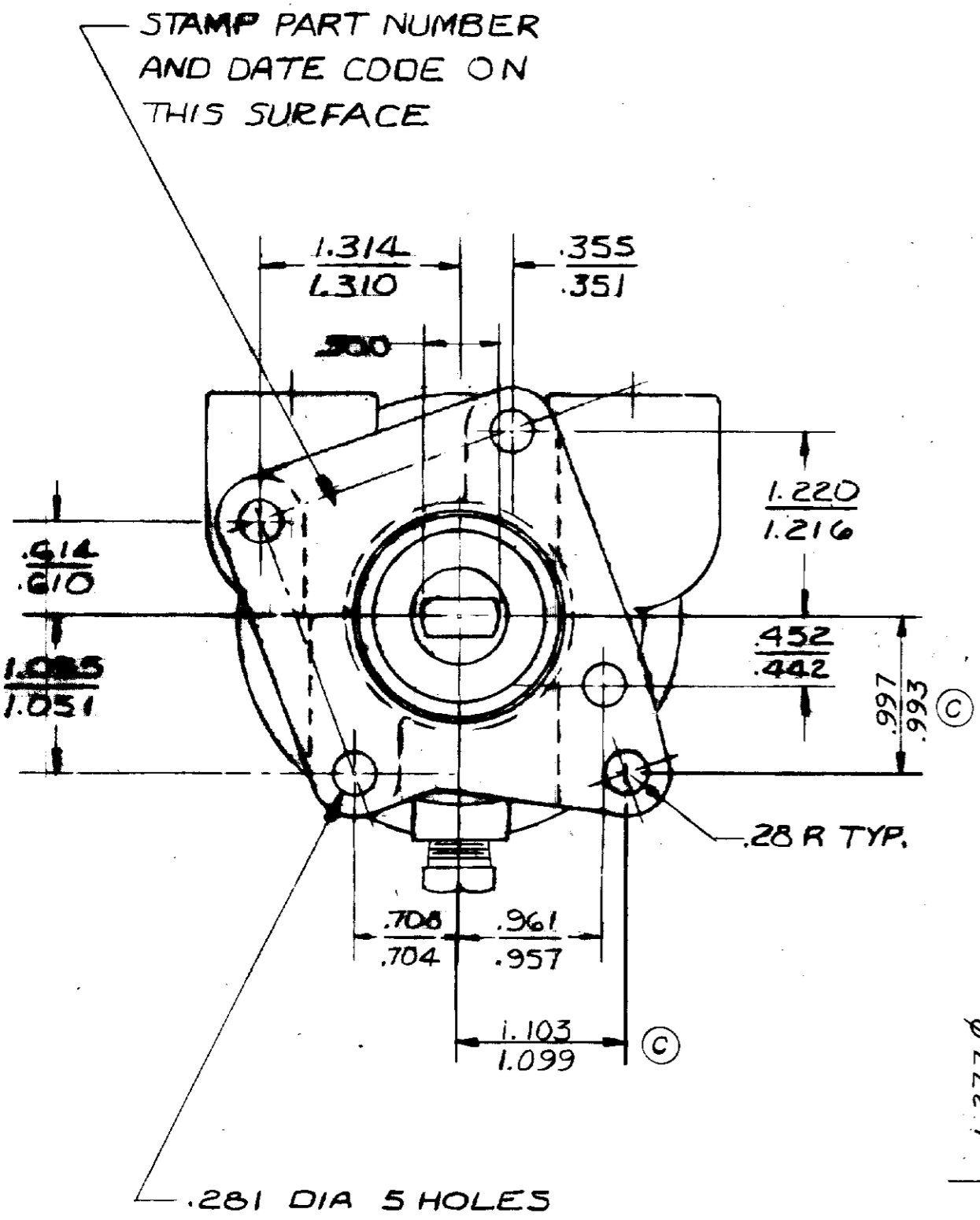


ITEM	PART NO	DESCRIPTION	REQ. Q.
1	13833	SHAFT	1
2	13850	BODY	1
3	10514	SEAL	2
4	11519	BUSHING	1
5	336	PLUG-DRAIN	1
6	10286	GASKET	1
7	10593	COVER	1
8	344	SCREW 10-24 X .38	6
9	12336	IMPELLER	1
10	12863	RETAINING RING	1
11	10093	KEY-WOODRUFF*2	1
12	15042	CAM (.187)	1
13	10822	SCREW 1/4-20 X .31	1
14	15056	MAJOR REPAIR KIT	SERVICE
15	11876	MINOR REPAIR KIT	SERVICE
16	17636	CARTON W	1
17	12209	LABEL	1

UNIT PACKAGING:  
 N° 17860 CARTON 1 REQ'D  
 12209 LABEL 1 REQ'D  
 17611 JIFFY BAG #1 1 REQ'D



MEDALIST # 300986-C

FLOW CURVE 80002 R

REV	DESCRIPTION	APPR	DATE
C	(1) .281 MNTG. HOLE RELOCATED	AVB	3/14/85
B	1.377/1.375 PILOT DIA. ADDED	AVB	3/14/85
A	FLANGE REVISED	RM	04/83

UNLESS OTHERWISE SPECIFIED TOLERANCE TO BE				
C	CAST DIMENSION	± .020	MACHINED DIMENSION	FRACTIONAL ± .010
			DECIMAL	± .005
	ANGLES	± 1/2°	MACHINED SURFACE ROUGHNESS	
			ALLOW 1/16 STOCK ON ALL FINISHED SURFACES FOR MACHINING.	
			BREAK ALL SHARP EDGES .010 MAX.	
			CAST FILLETS AND RADIUS 1/16 R.	

<b>SHERWOOD</b> A DIVISION OF HYDRO CORPORATION 6331 E. JEFFERSON AVE. • DETROIT, MICHIGAN 48227				
DRAWN	DATE	CHECKER	MATERIAL	ASSY TO
RBM	4-7-83			
PUMP ASSY - RUBBER IMPELLER				
SEE DETAILS M5				

PROJ 493