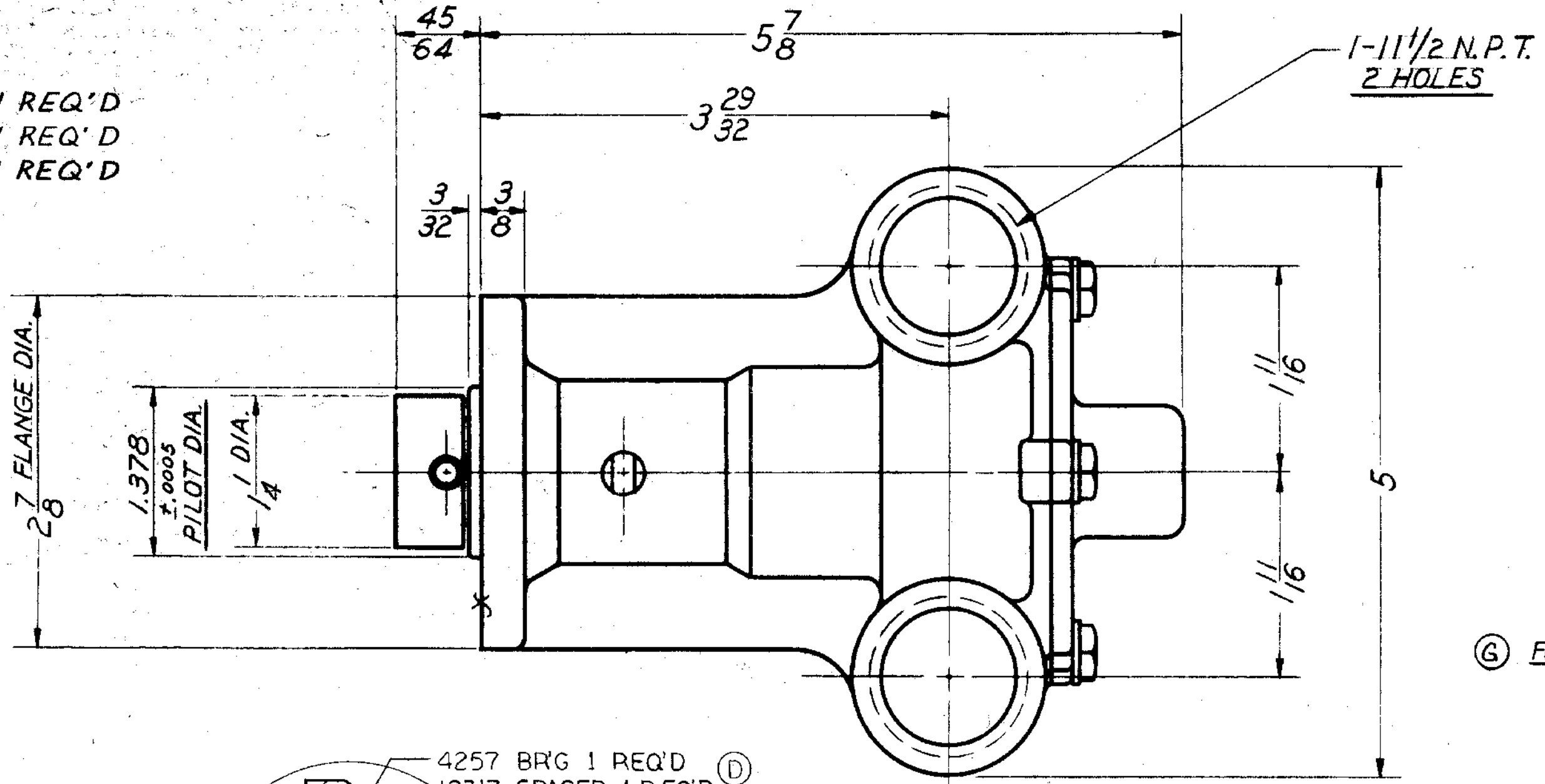


**UNIT PACKAGING:**

- N<sup>o</sup> 17659 CARTON Y 1 REQ'D
- 14486 JIFFY BAG #4 1 REQ'D
- 12209 LABEL 1 REQ'D

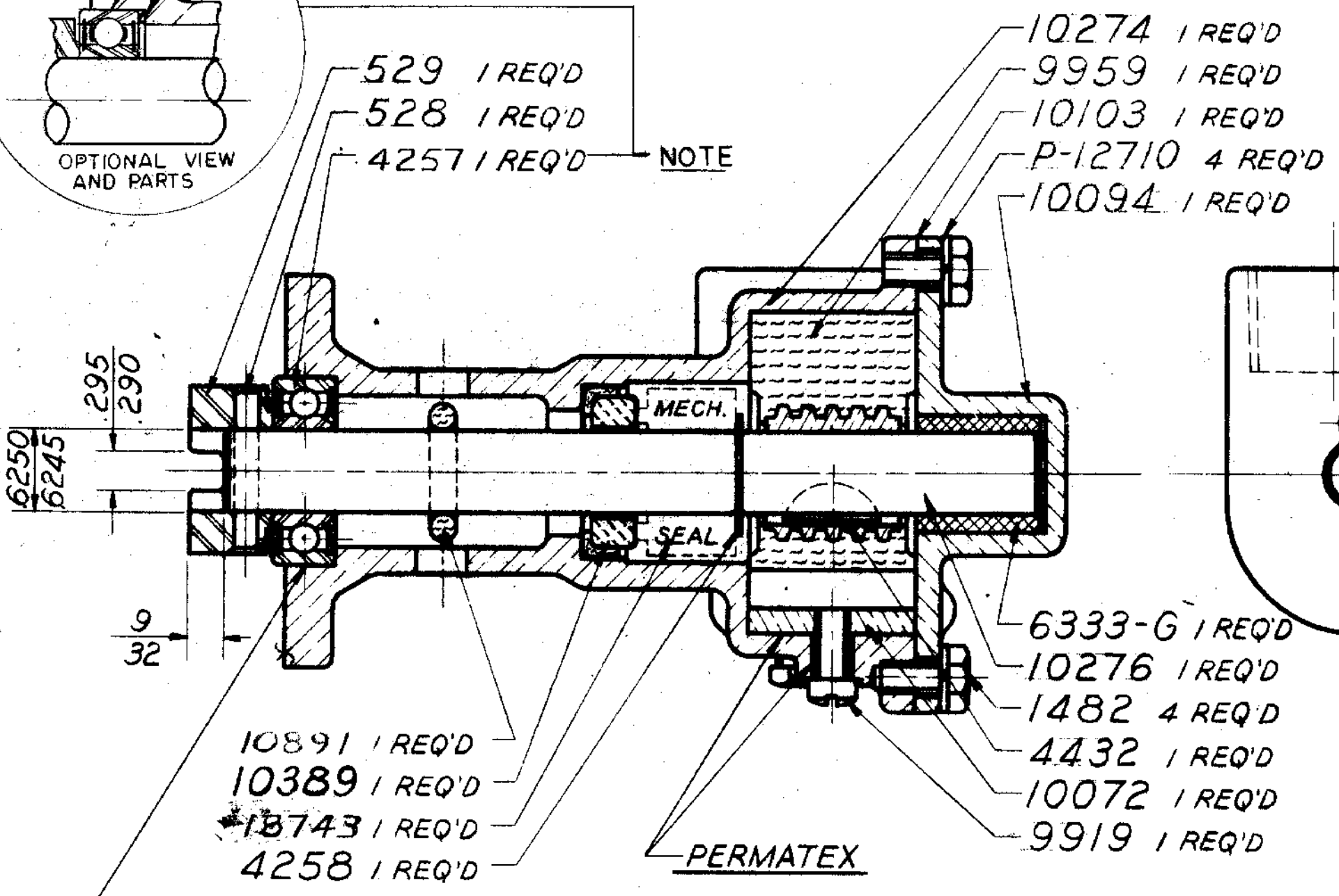
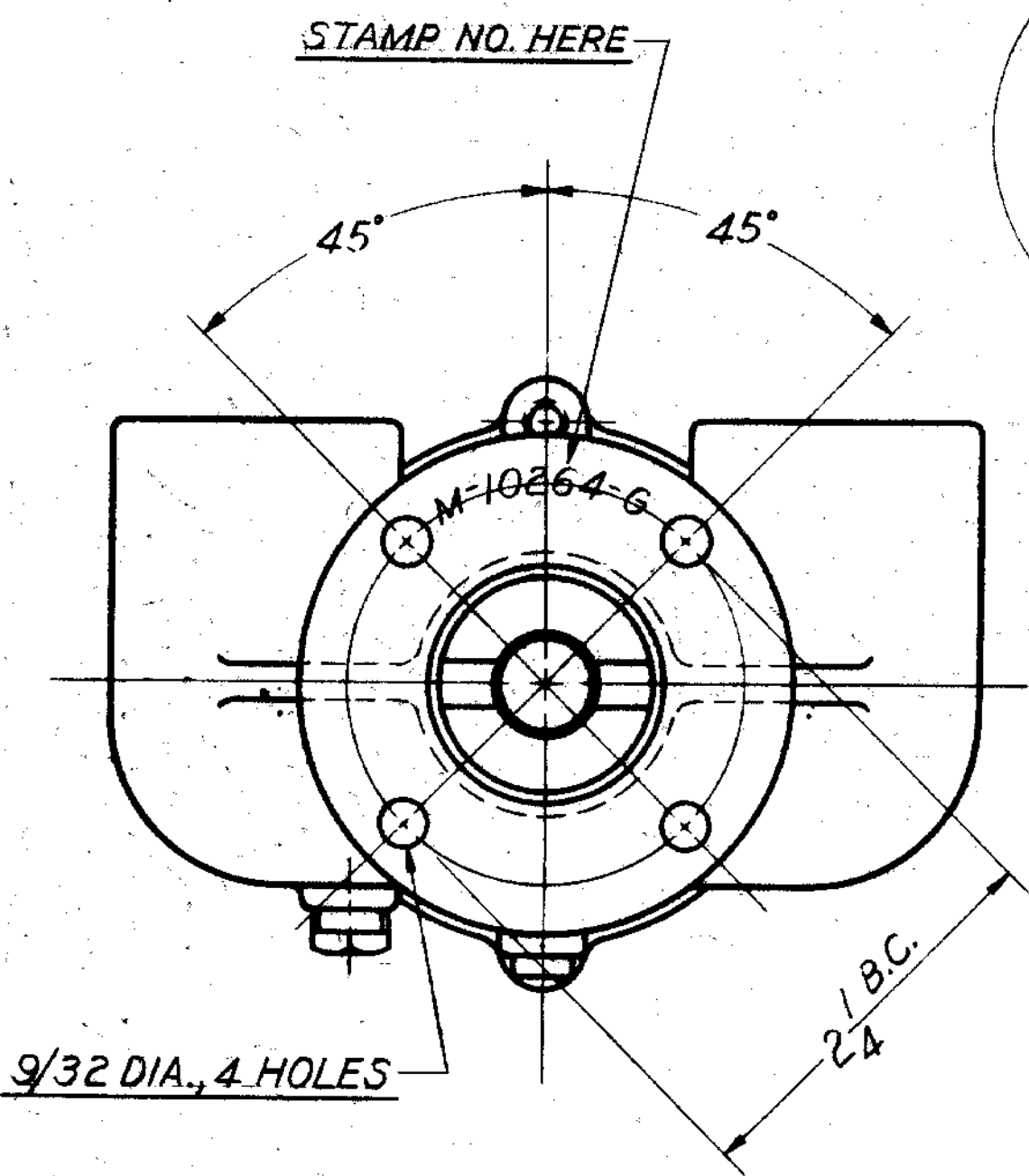
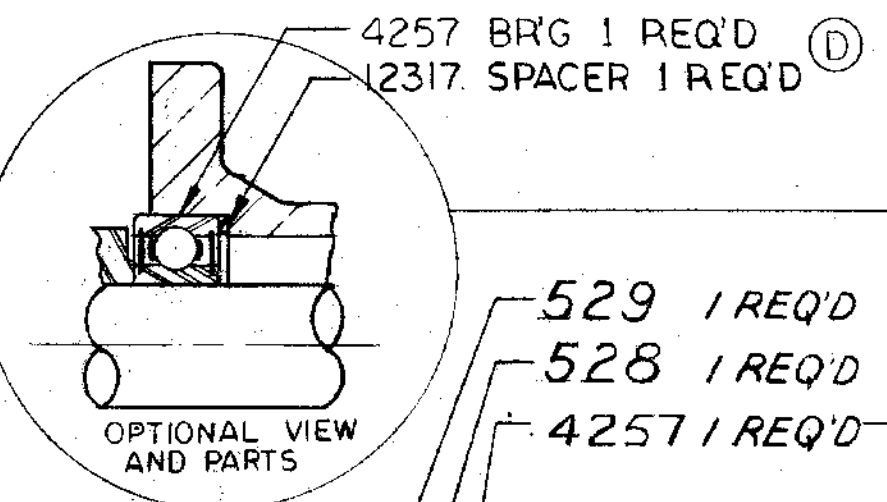


Body Ass'y No. 14228

SERVICE PART NO.	COMPONENT PART NO'S	NO. REQ'D
10275	10274	1
BODY	1311	2
10096	10094	1
COVER	6333-G	1
10545 (D)	10523	1
SEAL & SEAT	10389	1
MAJOR REPAIR KIT #12247 (E)		
MINOR REPAIR KIT #10685 (E)		

(G) FOR SERVICE:  
 PACKAGE THIS PUMP ASSEMBLY IN A # 17659 BOX  
 # 17955 BAG 1 REQ'D  
 # 12209 LABEL 1 REQ'D

STAMP PUMP ASSEMBLY NO. M-10264-G AND DATE CODE ON TAG, ATTACH WITH SCREW.



BALL BEARING ASSEMBLED AS SHOWN

SUPERSEDES N<sup>o</sup> K-9740-G

CAPACITY  
 6.0 G.P.M. @ 1000 R.P.M.

**SHERWOOD**  
 A DIVISION OF HYPRO CORPORATION  
 6331 E. JEFFERSON AVE. • DETROIT, MICHIGAN 48224

TITLE: IMPELLER PUMP ASS'Y  
 MATERIAL: SEE DETAILS

SCALE: FULL  
 DRAWN: A.V.B.  
 CHECKED: J.J.F.  
 APPROVED: [Signature]

REQ'D DATE: 11-19-59  
 DATE: 11/23/59

PART NO.: M-10264-G

REV.	DESCRIPTION	DATE	BY
F	10685 KIT WAS 10426	RM 11-5-74	
E	12247 KIT REVISED	RM 1-5-71	
D	OPTIONAL PARTS ADDED	RM 5-16-72	
C	MAJOR SERVICE KIT ADDED	RM 2-17-72	
B	WAS N <sup>o</sup> 10099 SEAL & SEAT ASS'Y	RM 9-27-68	
A	SERVICE N <sup>o</sup> 10426 ADDED	AVG 7/1/60	
G	PACKAGING NOTE ADDED	AM 7-31-78	