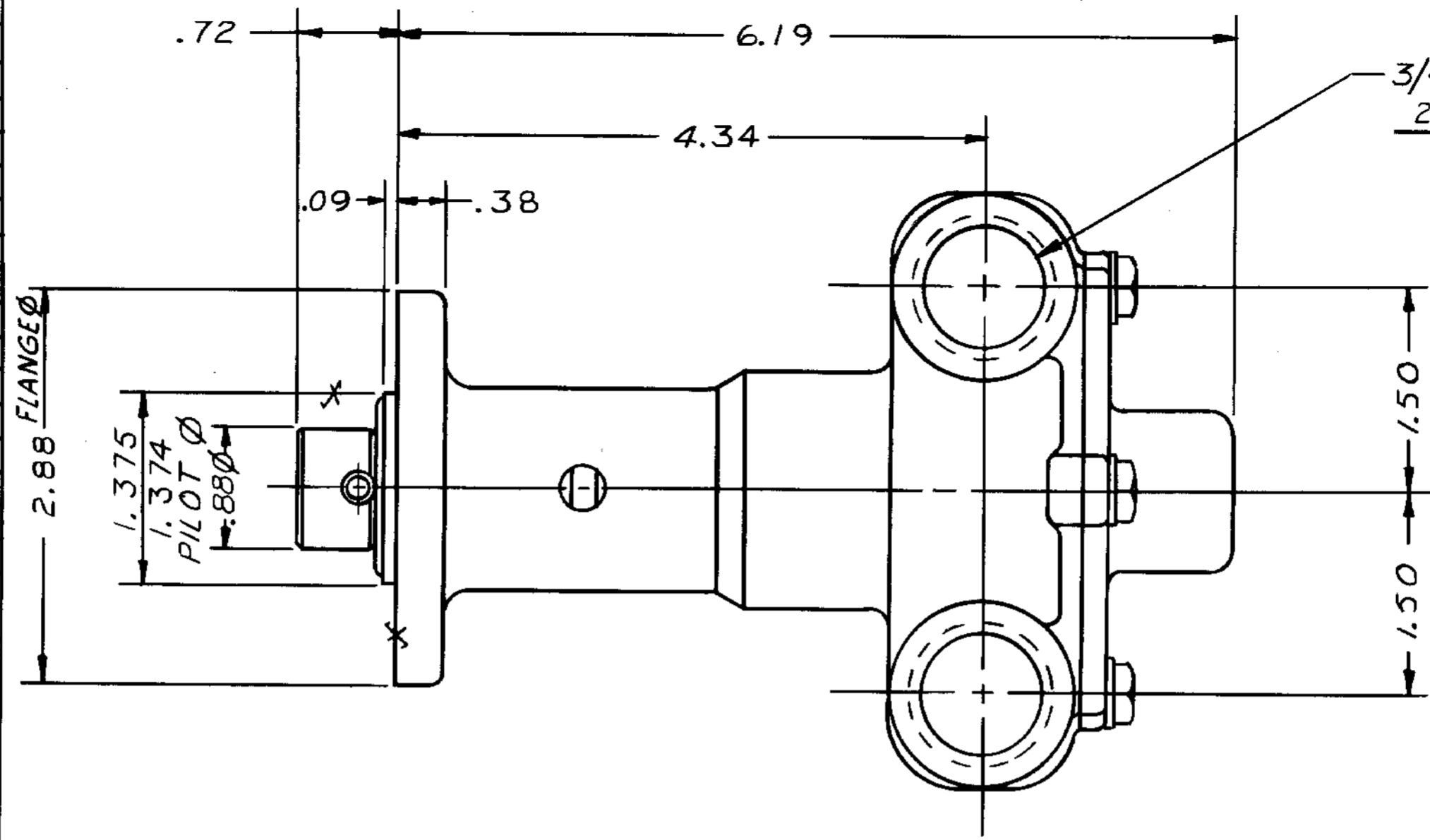
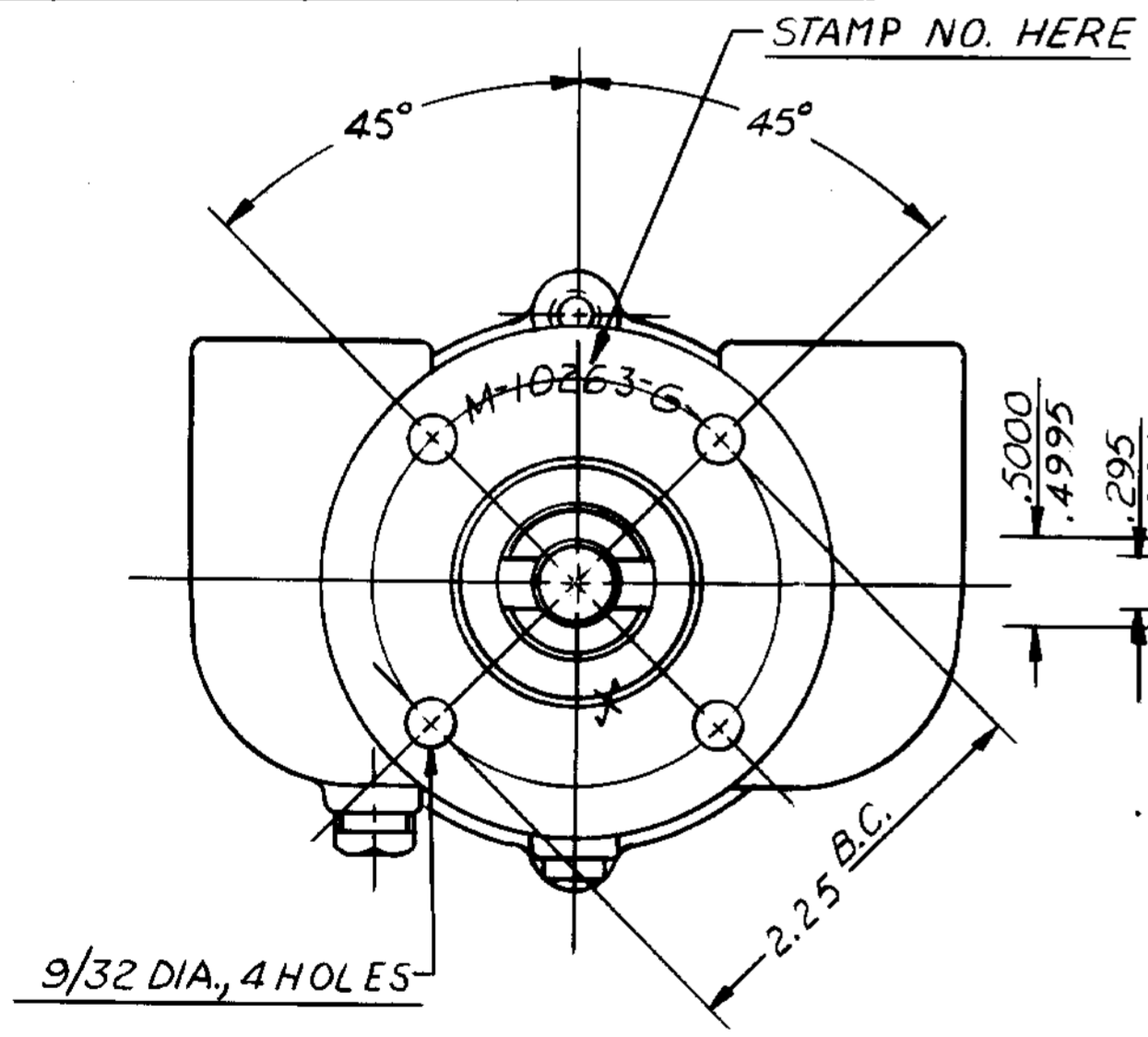


PARTS LIST

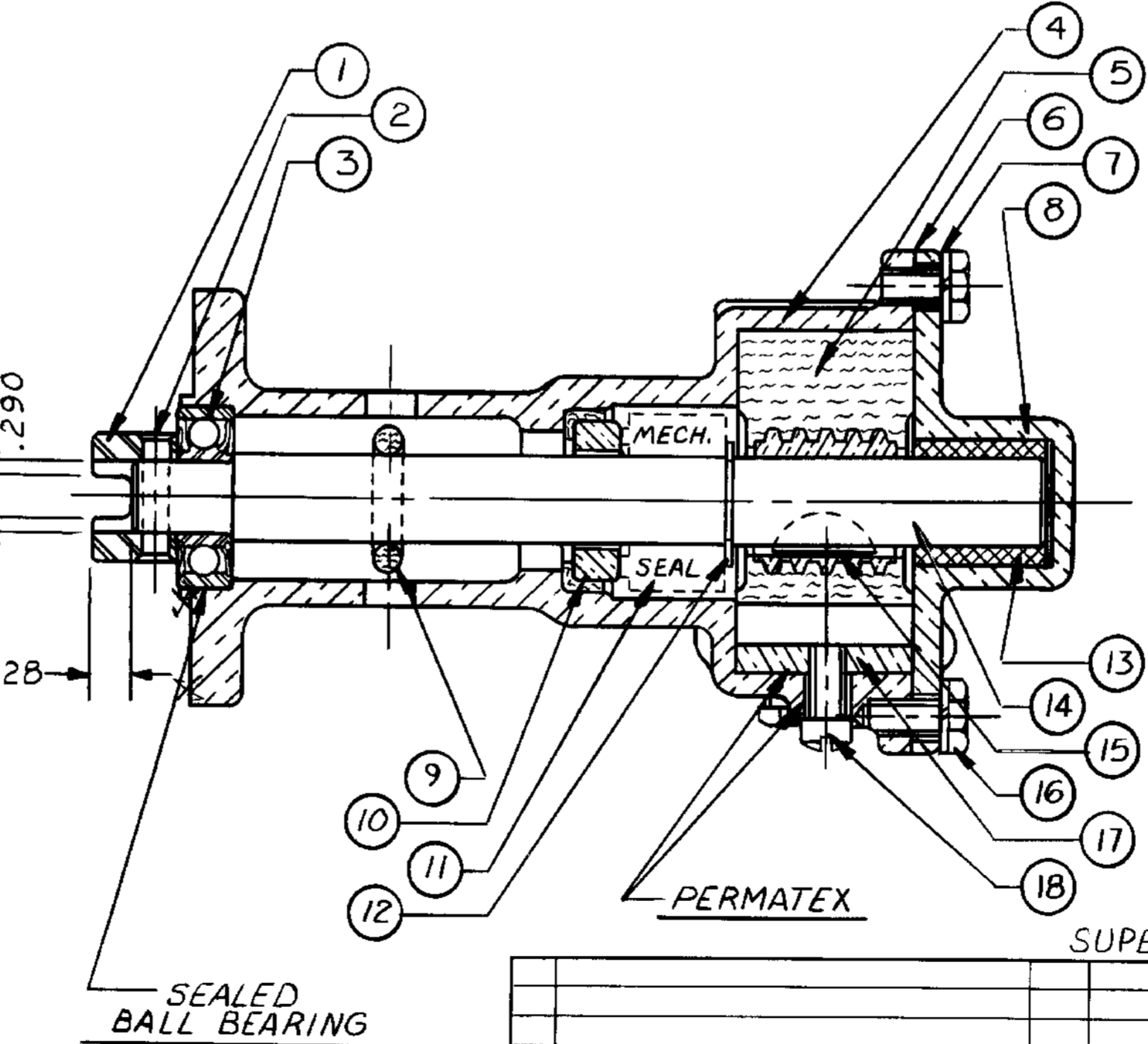
ITEM	PART NO.	DESCRIPTION	QTY.
1	17656	COUPLING	1
2	17657	COUPLING PIN	1
3	4306	BALL BEARING	1
4	10269	BODY	1
5	9959	IMPELLER	1
6	10103	VELLUMOID GASKET	1
7	12710	LOCK WASHER	4
8	10094	COVER	1
9	10891	SLINGER	1
10	10389	SEAL SEAT	1
11	18743	MECH. SEAL	1
12	4258	EXT. RET. RING	1
13	6333-G	BUSHING	1
14	10272	SHAFT	1
15	4432	#9 WOODRUFF KEY	1
16	1482	1/4-20 X 1/2 SCREW	4
17	10072	CAM	1
18	9919	1/4-20 X 1/2 SCREW	1
19	336	1/8 NPT X 3/8 PLUG	1
20	1311	PIN	2
4 & 20	10271	BODY ASS'Y	SERV.
8 & 13	10096	COVER ASS'Y	SERV.
10 & 11	10545	SEAL & SEAT ASS'Y	SERV.
	12246	MAJOR REPAIR KIT	SERV.
	10685	MINOR REPAIR KIT	SERV.
21	13285	TAG	1



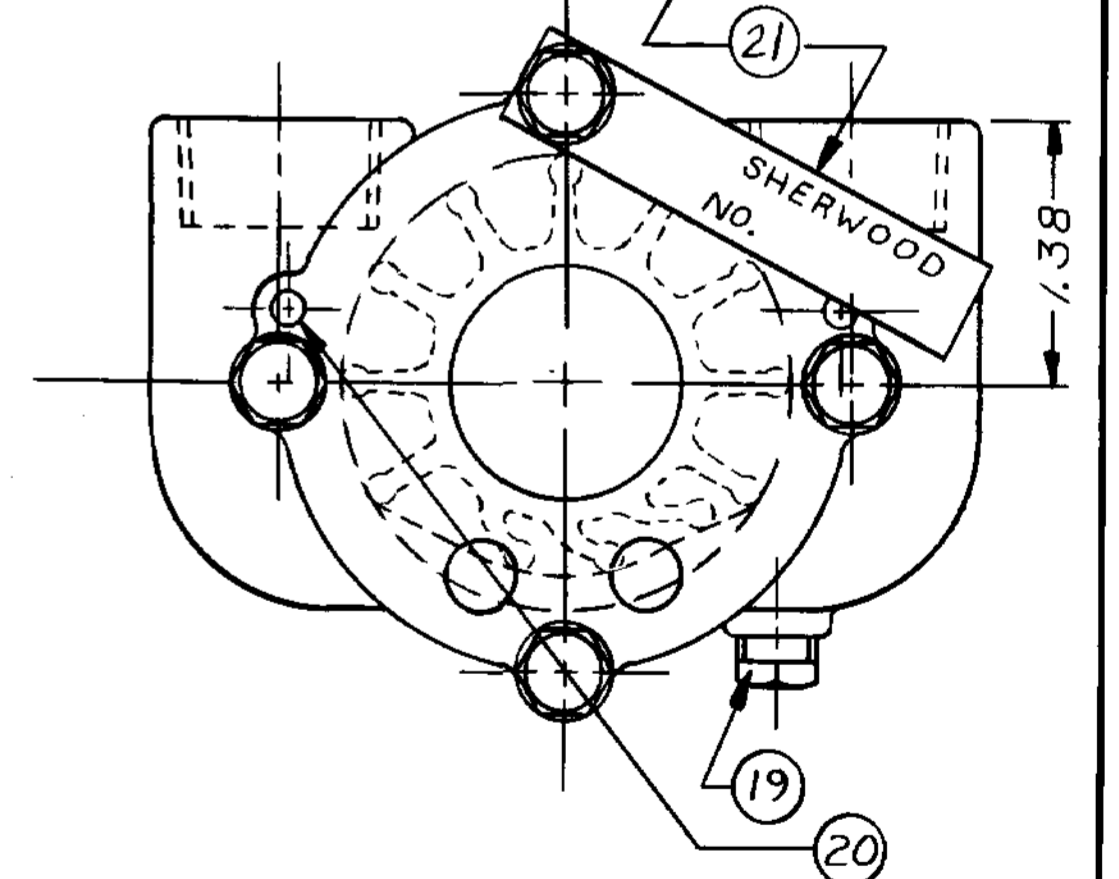
PACKAGE THIS PUMP ASS'Y IN A NO. 17648 CARTON Z - 1 REQ'D
 NO. 17611 JIFFY BAG - 1 REQ'D
 NO. 12209 LABEL - 1 REQ'D



CAPACITY
 6.0 G.P.M. @ 1000 R.P.M.



STAMP PUMP ASSEMBLY NO. M-10263-G AND DATE CODE ON TAG. ATTACH WITH SCREW.



CURVE NO. 59009R

SUPERSEDES N° K-9635-G MODEL M ENGINE

REV.	DESCRIPTION	APPR	DATE
I	REDRAWN WITHOUT CHANGE	KB	10-16-87

UNLESS OTHERWISE SPECIFIED
 CAST DIMENSIONS ± .02
 FILLETS & RADII .06
 FINISH STOCK .07
 MACHINING TOLERANCE, INCHES
 XX ± .01, XXX ± .005
 SURFACE ROUGHNESS
 ANGLES ± 0° 30'
 CORNER BREAKS .01 MAX.
 PARALLISM .001
 FLATNESS .001
 SQUARNESS .001
 CONCENTRICITY .001
 ROUNDNESS .0002
 RUNOUT .001

SHERWOOD
 DIVISION OF HYPRO CORPORATION
 6331 E. JEFFERSON AVE. • DETROIT, MICHIGAN 48207

DRAFTSMAN	DATE	CHECKER	DATE	ASSY NO.
AVB	11-17-59	WJF	11-17-59	

TITLE
 IMPELLER PUMP ASS'Y

MATERIAL
 SEE DETAILS

DWG. NO.
 M-10263-G