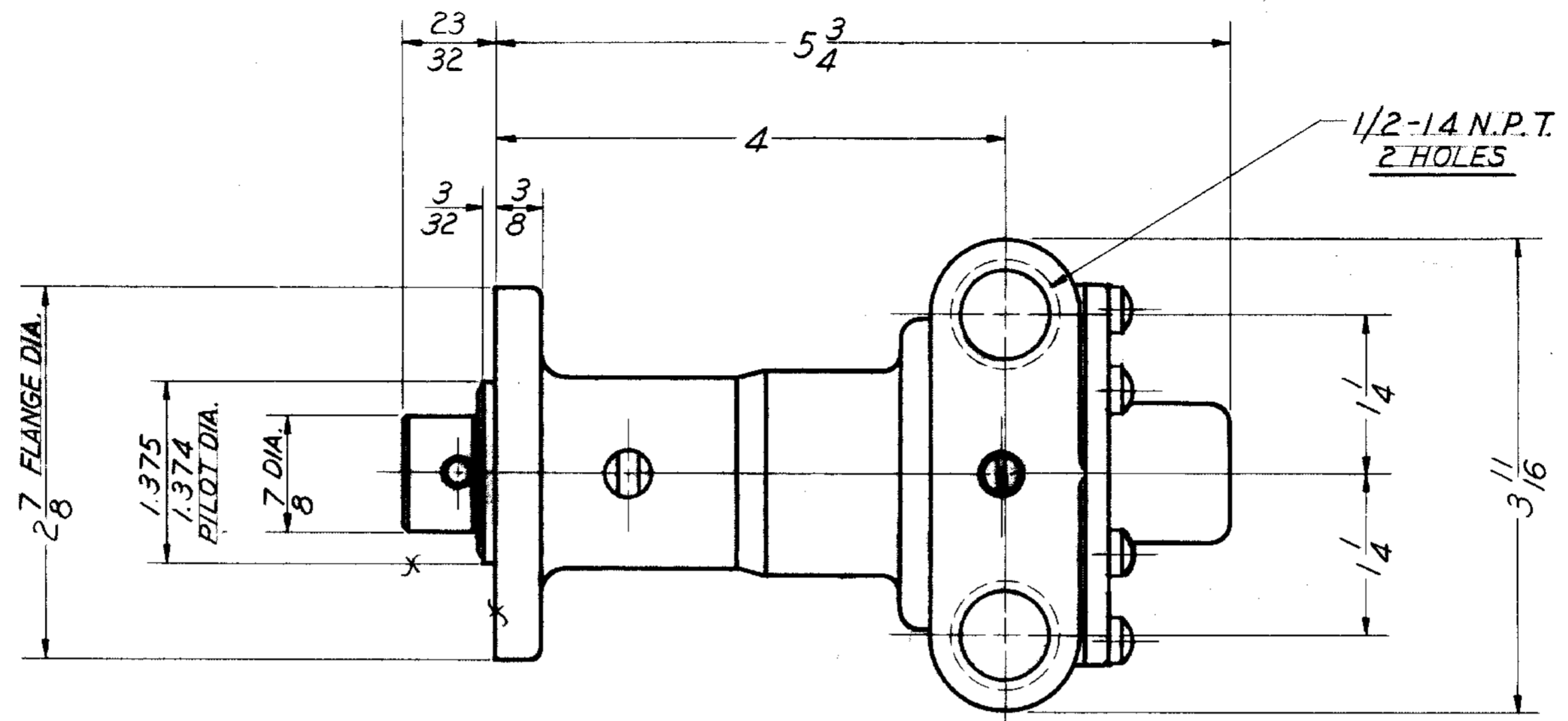
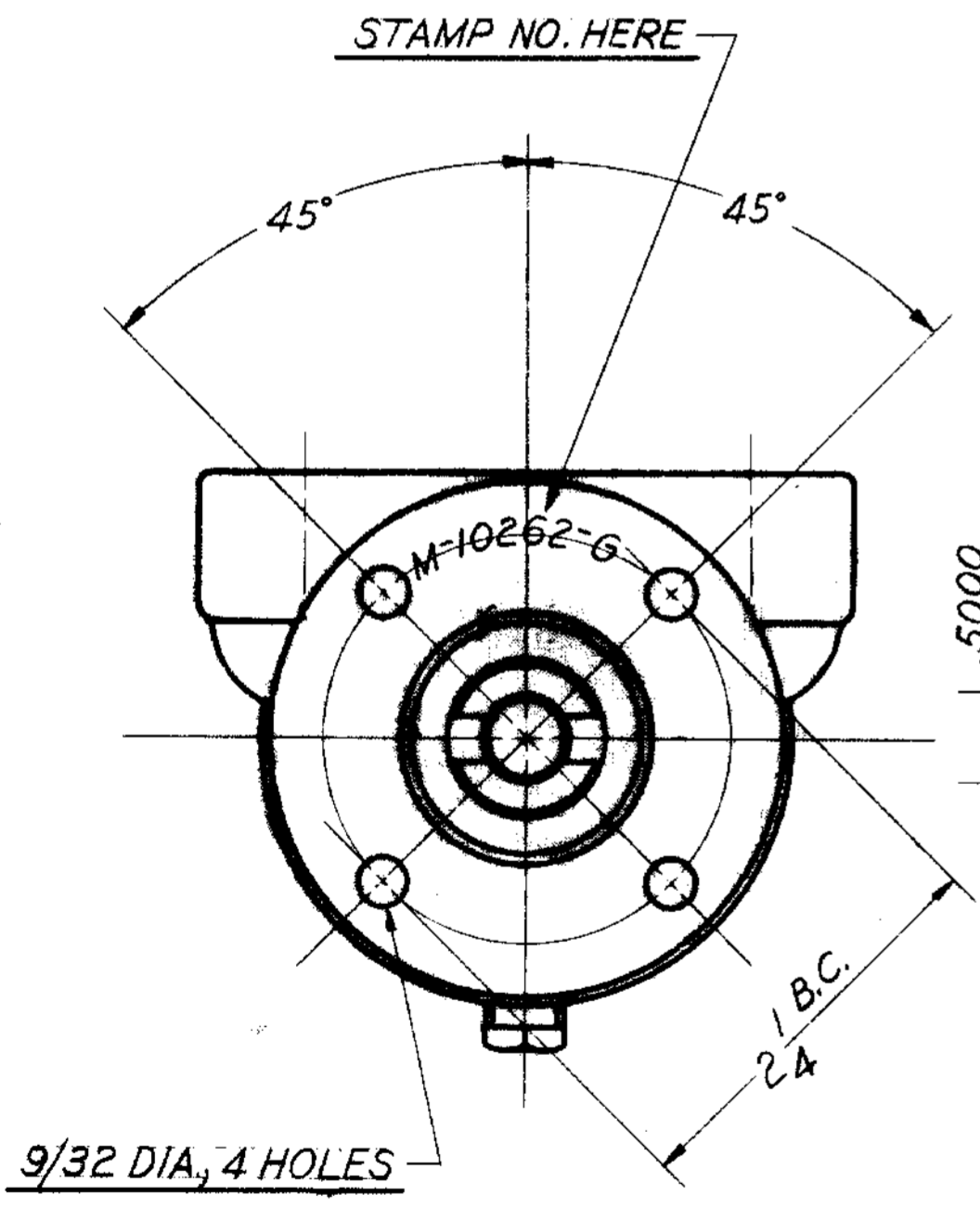


SERVICE PART NO.	COMPONENT PART NO'S	NO. REQ'D
10311	10309	1
BODY	1311	2
10281	10279	1
COVER	2075-G	1
10546 (F)	10522	1
SEAL & SEAT	10462	1

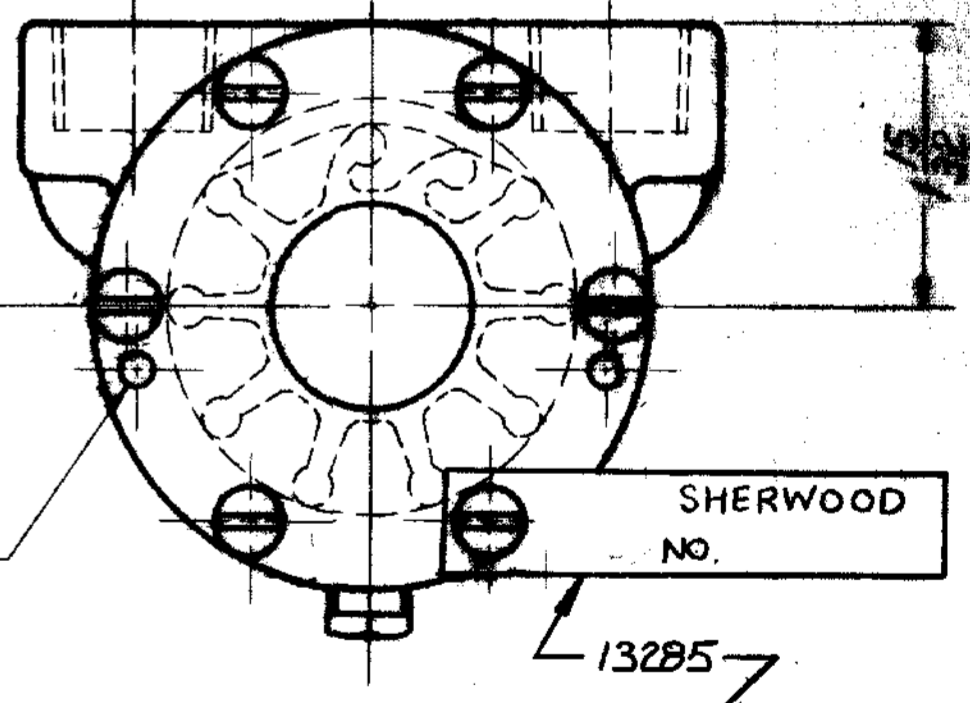
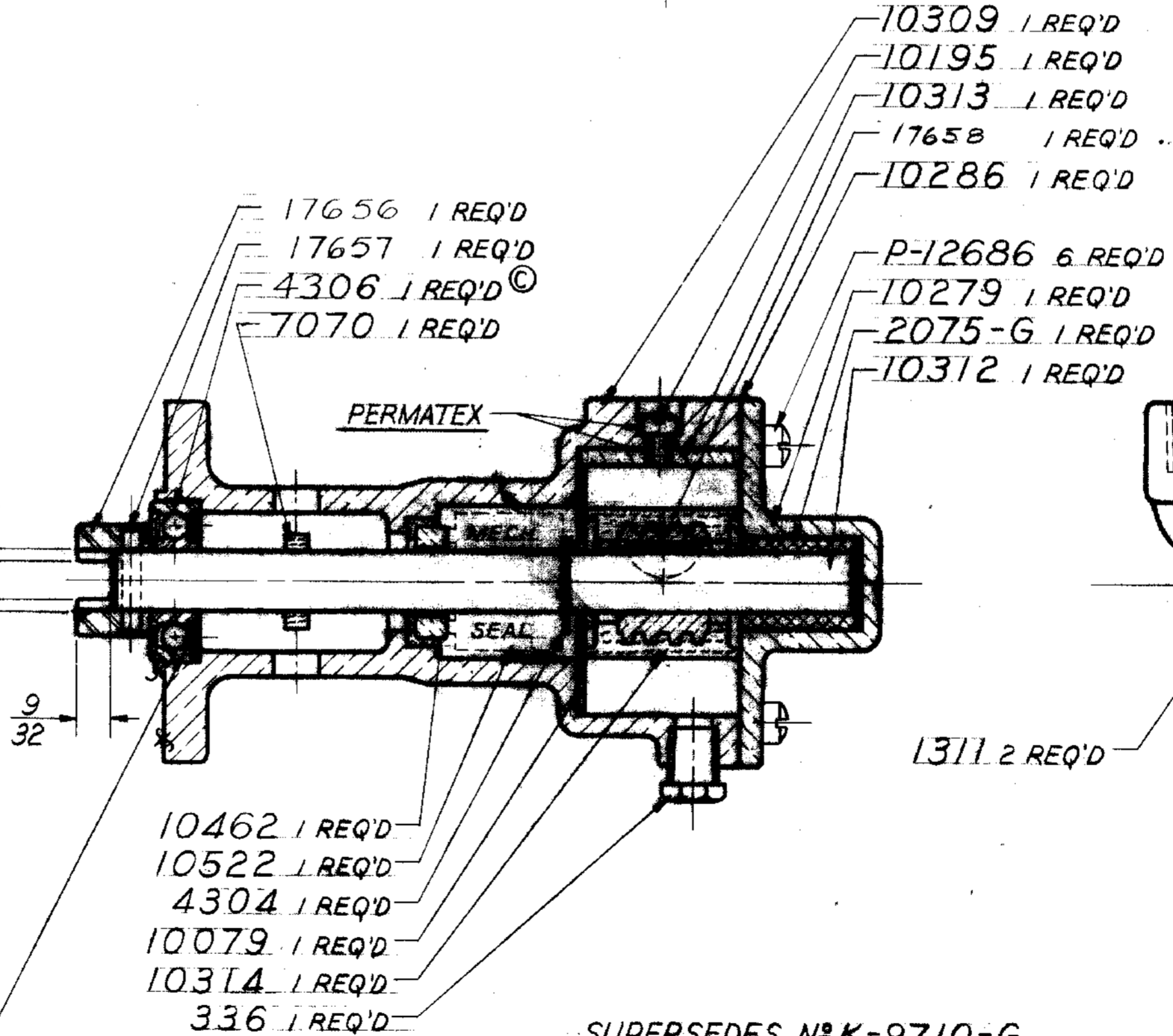
MAJOR REPAIR KIT #12245 (E)
MINOR REPAIR KIT #10424 (E)



(F) FOR SERVICE:
PACKAGE THIS PUMP ASSEMBLY IN A
#17645 BOX 1 REQ'D
#17611 JIFFY BAG 1 REQ'D
#12209 LABEL 1 REQ'D



CAPACITY
4.0 G.P.M @ 1000 R.P.M.



(H) STAMP PUMP ASSEMBLY NO M-10262-G
AND DATE CODE, ATTACH WITH SCREW
MODEL K ENGINE 125

SUPERSEDES N° K-9710-G

G	NO. 343 LOCKWASHER REMOVED	RI	16-5-80
F	PACKAGING NOTE ADDED	RM	7-31-78
E	12245 & 10424 KITS REVISED	RM	11-5-76
D	MAJOR SERVICE KIT ADDED	RM	2-17-72
C	WAS N° 6236 BALL BRG.	UL	12/7/69
B	WAS N° 9499 SEAL & SEAT ASSY	KL	7/2/62
A	SERVICE M-10424 ADDED	KL	1/1/60

I	DRAWING REVISED	KB	10-16-85
H	ADDED TAG 13285		

SHERWOOD
A DIVISION OF HYPRO CORPORATION
8321 E. JEFFERSON AVE. • DETROIT, MICHIGAN 48214

TITLE: **IMPELLER PUMP ASS'Y**

SCALE: **FULL**

DATE: **1-22-80**

DATE: **1/22/80**

MODEL: **M-10262-G**

SEE DETAILS