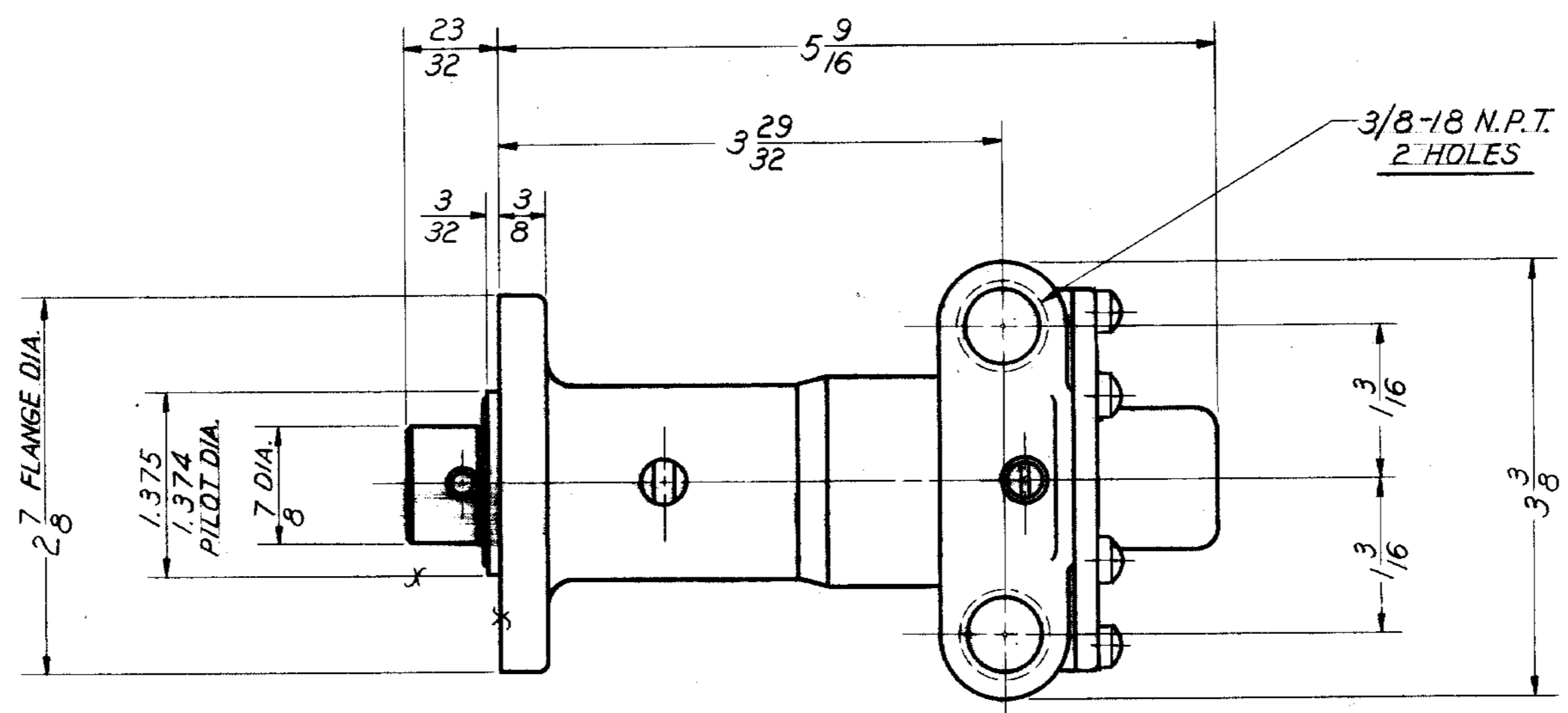
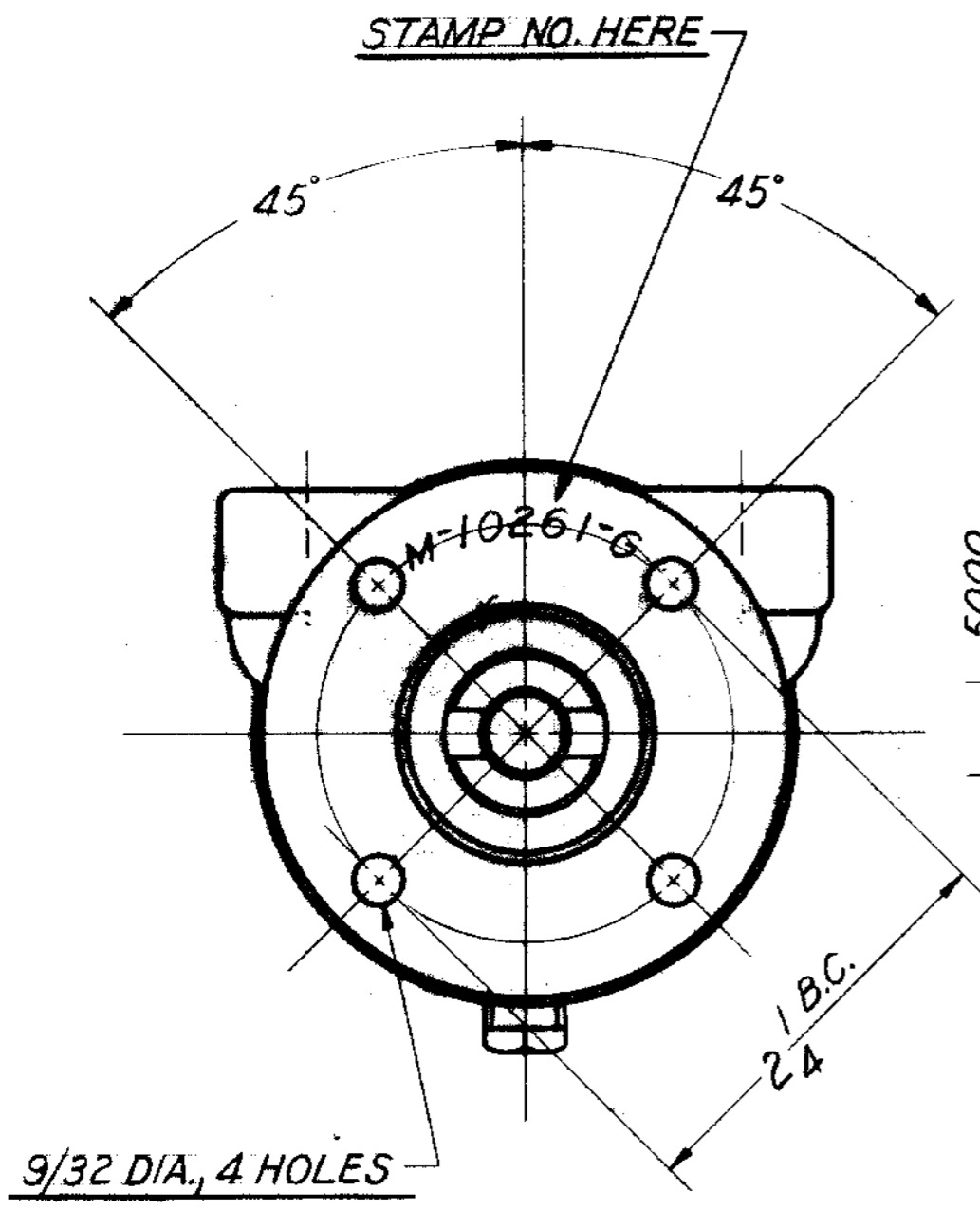


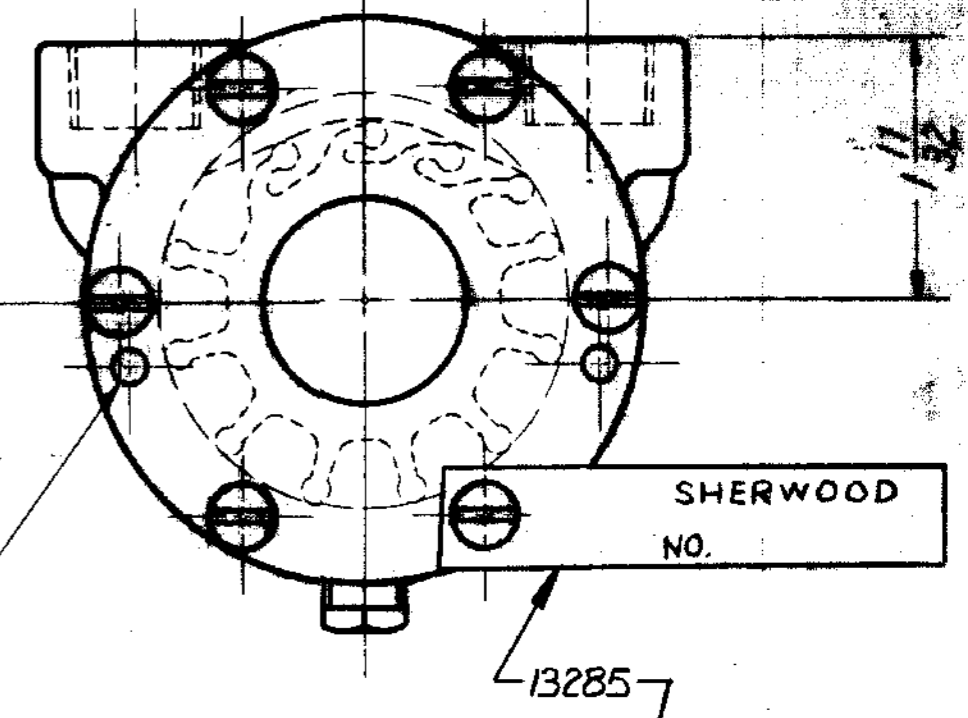
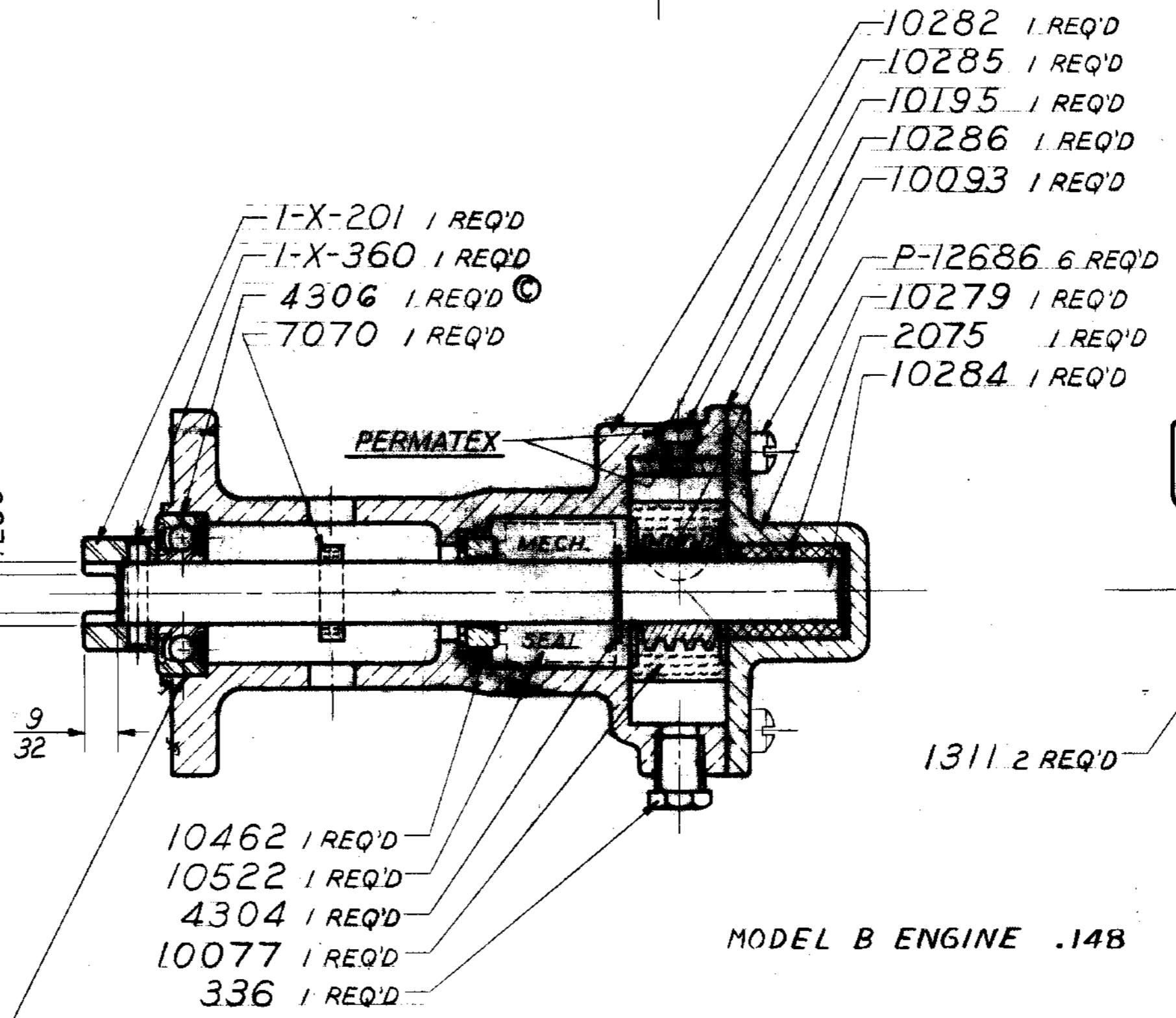
SERVICE PART NO.	COMPONENT PART NO'S	NO. REQ'D
10283	10282	1
BODY	1311	2
10281	10279	1
COVER	2075	1
10546 [Ⓢ]	10522	1
SEAL & SEAT	10462	1
MAJOR REPAIR KIT #12244 [Ⓔ]		
MINOR REPAIR KIT #10425 [Ⓔ]		



UNIT PACKAGING:
 N° 17636 CARTON 1 REQ'D
 17611 JIFFY BAG 1 REQ'D
 12209 LABEL 1 REQ'D



CAPACITY
 3.0 G.P.M. @ 1000 R.P.M.



[Ⓔ] STAMP PUMP ASSEMBLY NO M10261-G AND DATE CODE ON TAG, ATTACH WITH SCREW.

SEALED BALL BEARING

MODEL B ENGINE .148

SUPERSEDES N° K-9750-G

G	NO. 343 LOCKWASHERS REMOVED	RI	6-5-80
F	PACKAGING NOTE ADDED	RM	7-31-76
E	12244 & 10425 KITS REVISED	RM	11-5-76
D	MAJOR SERVICE KIT ADDED	EM	2-17-72
C	WAS N° 8236 BALL BRG.	PJL	12/7/68
B	WAS N° 8499 SEAL (SEAT ASSY)	RM	1/24/68
A	SERVICE N° 10425 ADDED	RM	1/1/68

SHERWOOD
 A DIVISION OF HYPRO CORPORATION
 9331 E. JEFFERSON AVE. • DETROIT, MICHIGAN 48214

TITLE: **IMPELLER PUMP ASS'Y**

DATE: 11-27-59

DATE: 11/27/69

NO. 10261-5