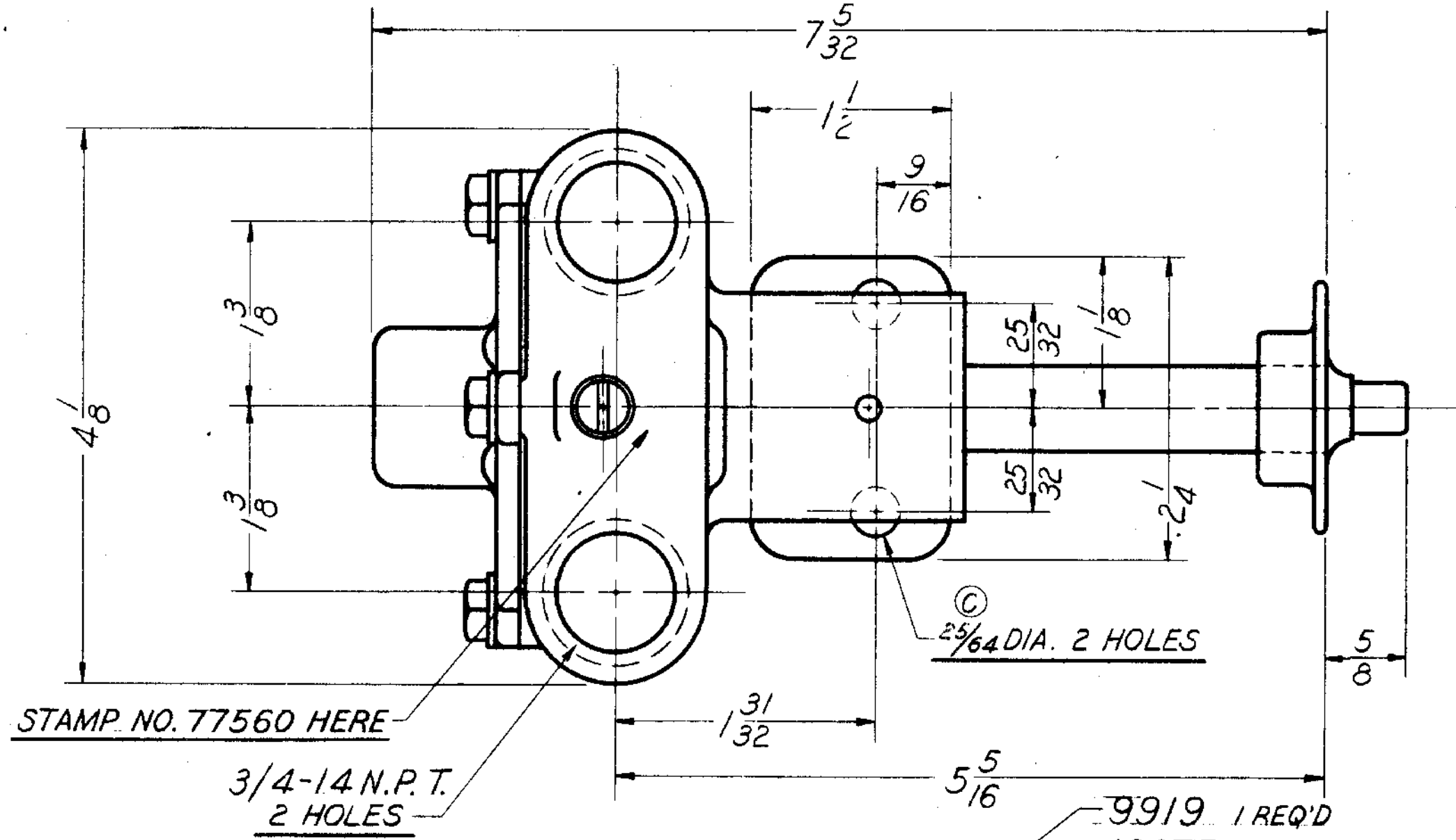
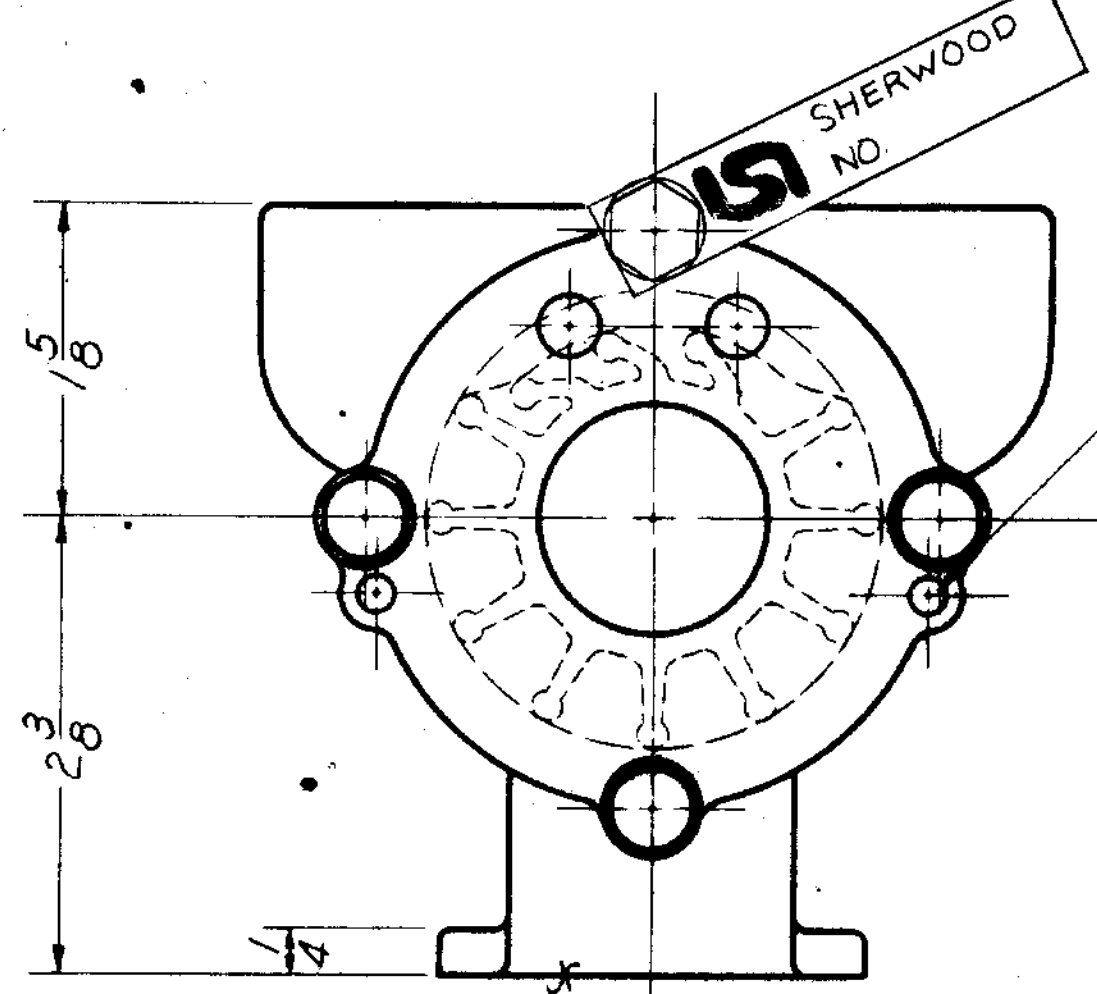


SERVICE PART NO.	COMPONENT PART NO'S	NO. REQ'D
10102	10101	1
BODY	1311	2
10096	10094	1
COVER	6333-G	1
10545	10523	1
SEAL & SEAT	10389	1
MAJOR REPAIR KIT # 12252 (D)		
MINOR REPAIR KIT # 10685 (D)		



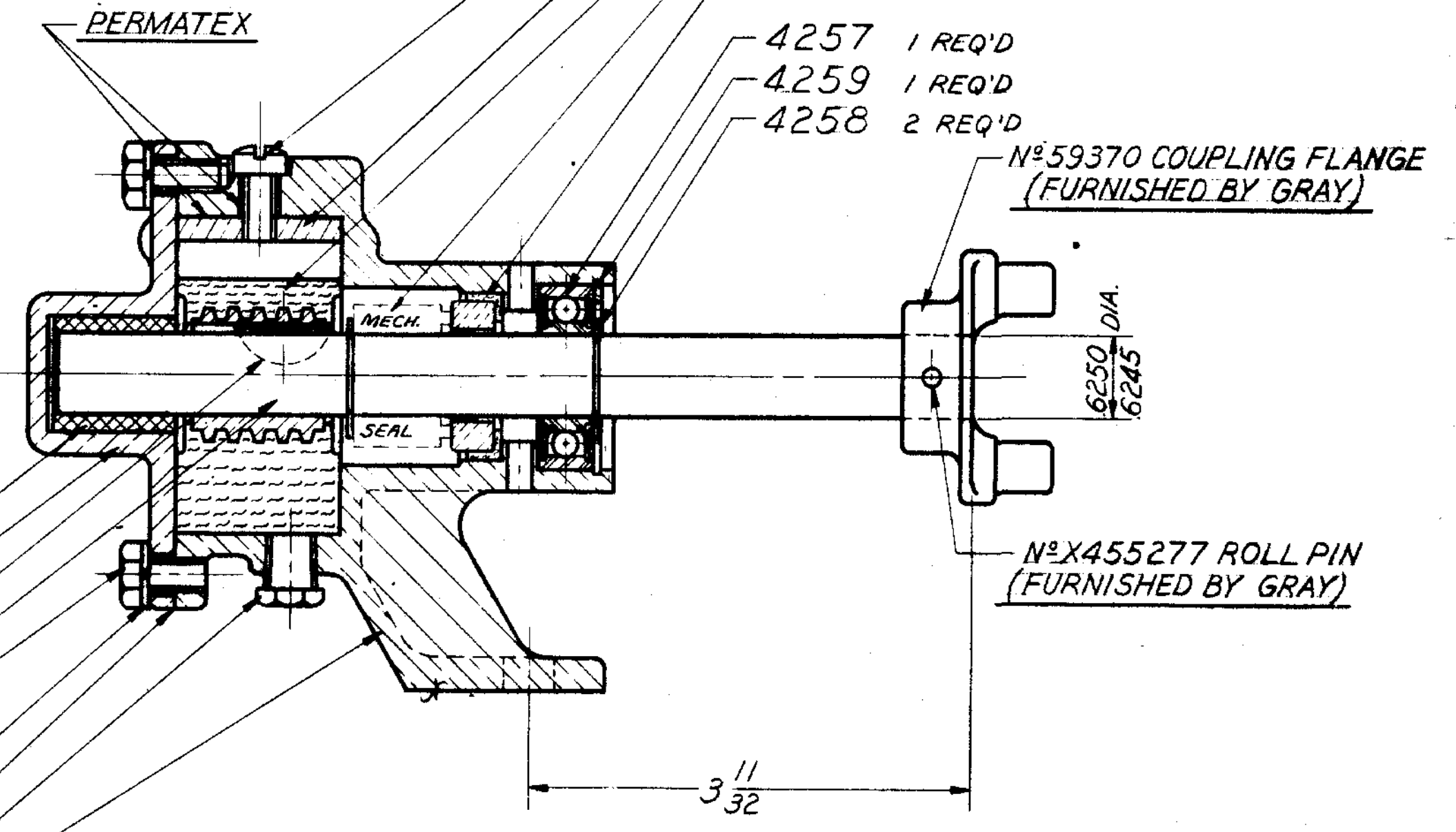
(E) FOR SERVICE:
 PACKAGE THIS PUMP ASSEMBLY IN A
 # Z BOX 1 REQ'D
 # 2 JIFFY BAG 1 REQ'D
 # 12209 LABEL 1 REQ'D

STAMP PUMP ASSEMBLY NO L-9930-G AND DATE
 CODE ON TAG, ATTACH WITH SCREW.
 13285 (1 REQ'D) (F)



CAPACITY
 6.0 G.P.M. @ 1000 R.P.M.

- 1311 2 REQ'D.
- 6333-G 1 REQ'D
- 10094 1 REQ'D
- 4432 1 REQ'D
- 9963 1 REQ'D
- 1482 4 REQ'D
- P-12710 4 REQ'D
- 10103 1 REQ'D
- 336 1 REQ'D
- 10101 1 REQ'D



- 9919 1 REQ'D
- 10072 1 REQ'D
- 9959 1 REQ'D
- 10523 1 REQ'D
- 10389 1 REQ'D
- 4257 1 REQ'D
- 4259 1 REQ'D
- 4258 2 REQ'D

CURVE NO. 68017R

SHERWOOD BRASS WORKS		DETROIT, MICHIGAN	
TITLE	MATERIAL	PART NO.	
IMPELLER PUMP ASS'Y	SEE DETAILS	L-9930-G	
SCALE FULL	REQ'D	DATE	DATE
DRAWN A.V.B.	DATE 9-8-58	DATE	DATE
CHECKED [Signature]	DATE 9/30/58	DATE	DATE
APPROVED	DATE	DATE	DATE

REV.	DESCRIPTION	CHK.	DATE
F	ADDED TAG NO 13285		
E	PACKAGING NOTE ADDED	AM	7-31-78
D	12252 & 10685 KITS ADDED	HM	11-2-76
C	WAS 3/8 DIA.	A.V.B.	2/4/66
B	WAS N°9186 SEAL & SEAT ASS'Y	A.V.B.	1/26/65
A	DRWG. REVISED	A.V.B.	1/29/59

DO NOT SCALE DRAWING
 PLUS OR MINUS .005
 ALLOWED ON FRACTIONAL
 DIMENSIONS. ALL HOLES
 AND SHARP CORNERS TO
 BE BURRED .005 TO .010
 CORNERS AND FILETS
 TO BE 1/16R, UNLESS
 OTHERWISE SPECIFIED.