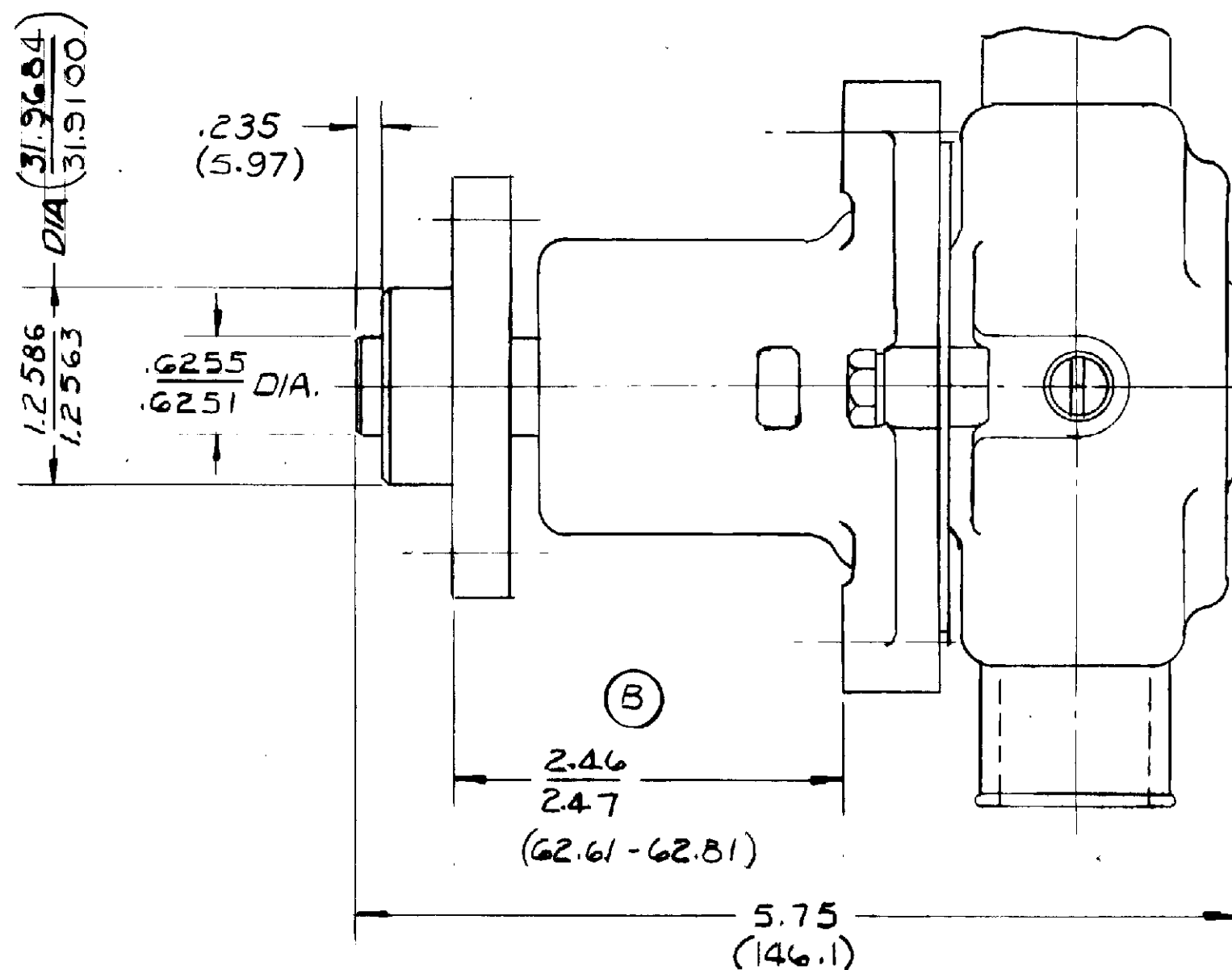


PARTS LIST

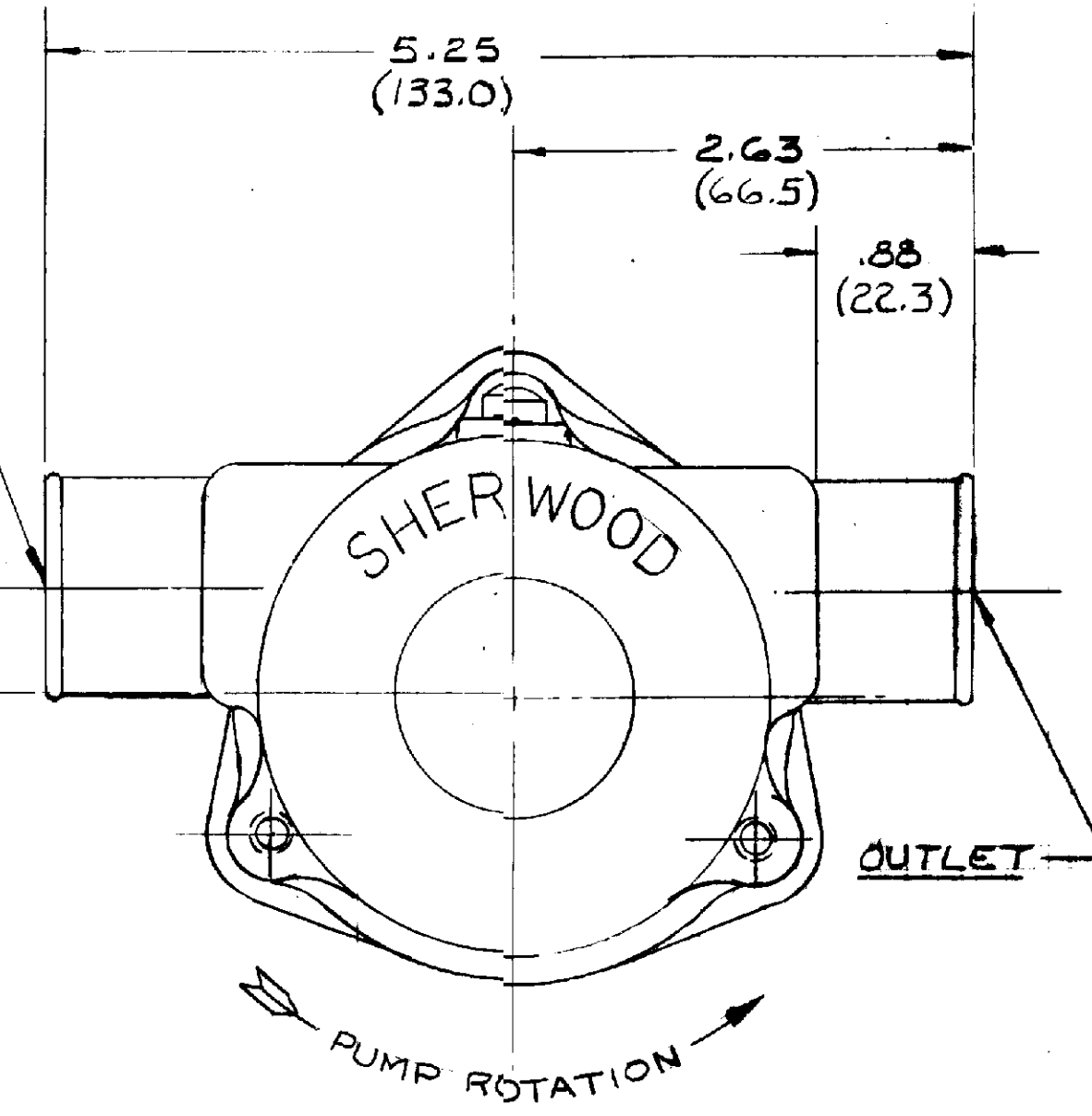
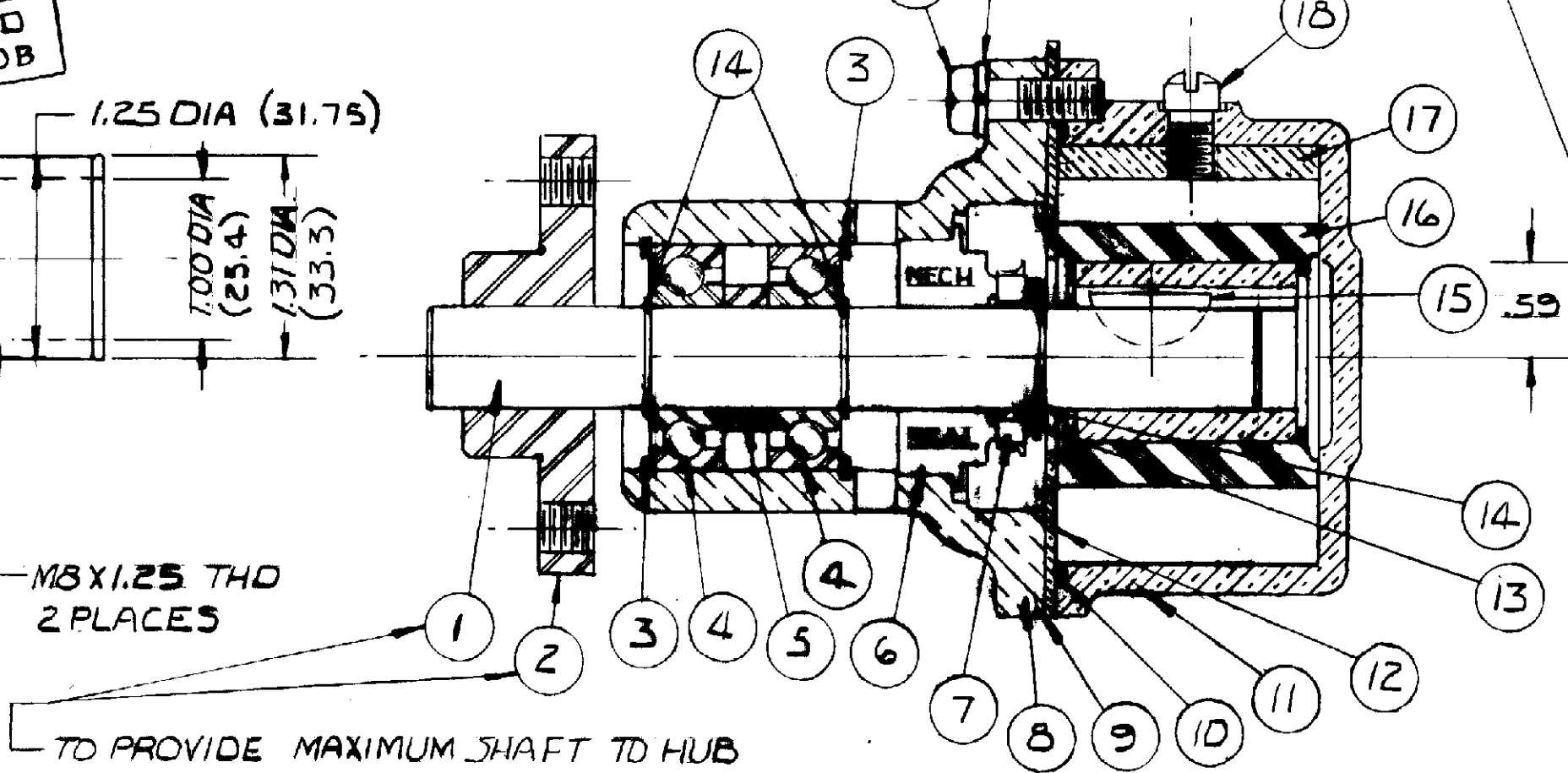
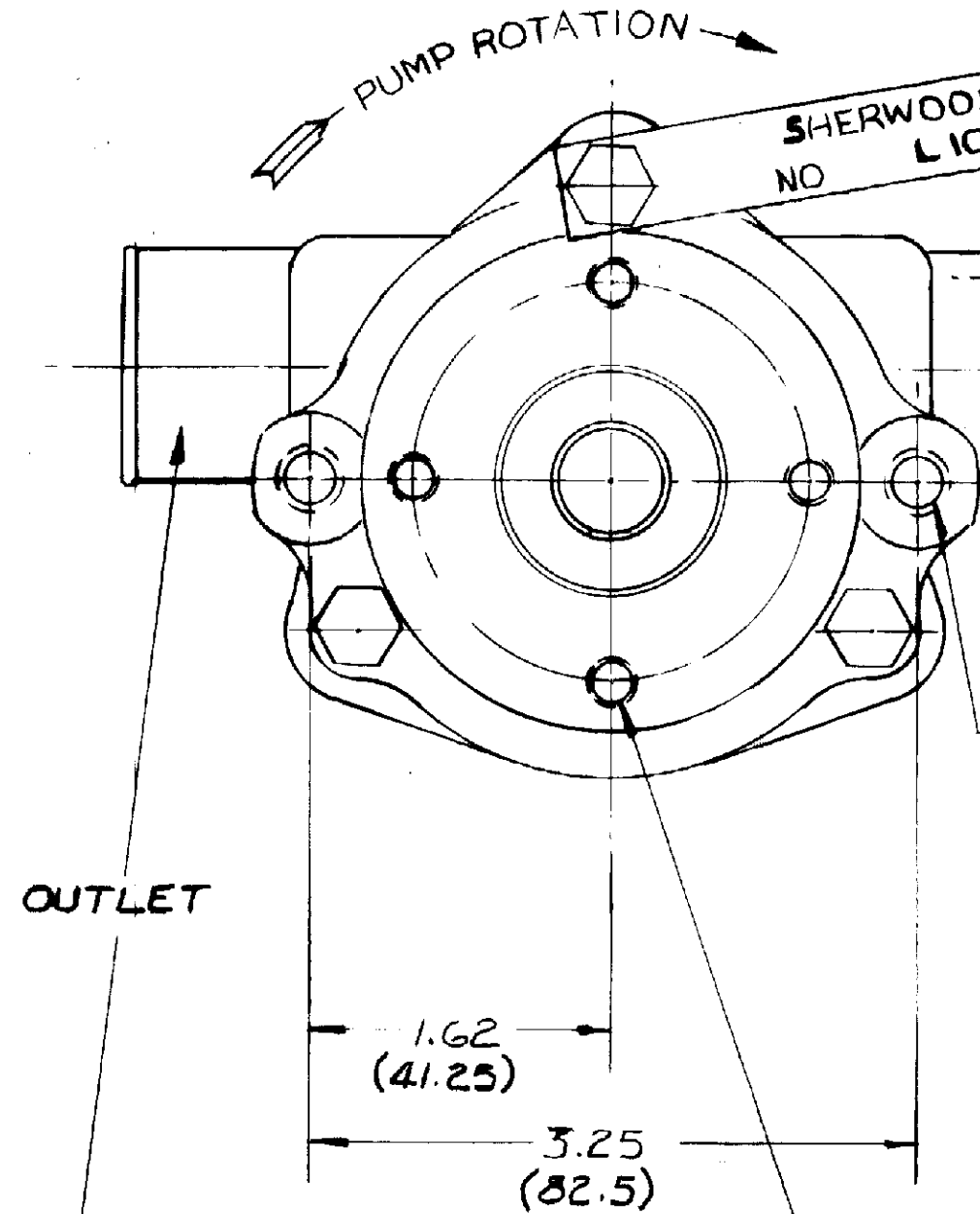
| ITEM | PART NO. | DESCRIPTION | REQ'D |
|------|----------|---------------------|---------|
| 1 | 13363 | SHAFT | 1 |
| 2 | 13795 | HUB | 1 |
| 3 | 4259 | RET RING INT. | 2 |
| 4 | 12211 | BEARING | 2 |
| 5 | 5133 | SPACER | 1 |
| 6 | 12314 | SEAL ASSY. | 1 |
| 7 | 12256 | SEAT ASSY | 1 |
| 8 | 19948 | BODY (BRASS) | 1 |
| 9 | 12055 | GASKET | 1 |
| 10 | 12231 | "O" RING | 1 |
| 11 | 13899 | HOUSING | 1 |
| 12 | 12856 | END PLATE | 1 |
| 13 | 4264 | THRUST WASHER | 1 |
| 14 | 4258 | RET. RING EXT. | 3 |
| 15 | 4432 | KEY-WOODRUFF | 1 |
| 16 | 10615 | IMPELLER | 1 |
| 17 | 10929 | CAM (.219) | 1 |
| 18 | 10515 | SCREW 1/4-20 X 3/8 | 1 |
| 19 | 12710 | LOCK WASHER | 3 |
| 20 | 13794 | SCREW M6 X 1.00 THD | 3 |
| 21 | 13285 | TAG-PART NUMBER | 1 |
| 22 | 12859 | SEAL & SEAT ASSY | SERVICE |
| 23 | 12946 | MAJOR REPAIR KIT | SERVICE |
| 24 | 12394 | MINOR REPAIR KIT | SERVICE |



PACKAGING:
 N^o 17659 CARTON Y
 12209 LABEL
 17653 JIFFY BAG #5

1 REQ'D.
 1 REQ'D.
 1 REQ'D.

21 STAMP PUMP ASSY No. L10-B AND DATE CODE ON TAG AND ATTACH WITH SCREW TO THIS LOCATION



TO PROVIDE MAXIMUM SHAFT TO HUB BREAK AWAY TORQUE. THE SHAFT MUST BE HELD SQUARE WITH THE PULLEY HUB WHEN THEY ARE PRESSED TOGETHER. SHEARING OF METAL WILL REDUCE BREAK AWAY TORQUE

M6 X 1.25 METRIC THD. 4 HOLES EQUALLY SPACED ON 2.125 BOLT CIRCLE

PAINT THIS HOSE NIPPLE WITH RED PAINT AFTER TESTING - ONE PORT ONLY

ONAN CORP No 132-0278
 CURVE No: 76004 R.

| REV | DESCRIPTION | APPR | DATE |
|-----|-------------|------|------|
| | | | |
| | | | |
| | | | |
| | | | |
| | | | |
| | | | |
| | | | |
| | | | |
| | | | |
| | | | |

UNLESS OTHERWISE SPECIFIED TOLERANCE TO BE
 CAST DIMENSION ± .020
 MACHINED DIMENSION
 FRACTIONAL ± .010
 DECIMAL ± .005
 ANGLES ± 1/2°
 MACHINED SURFACE ROUGHNESS
 ALLOW 1/16 STOCK ON ALL FINISHED SURFACES FOR MACHINING.
 BREAK ALL SHARP EDGES 0.10 MAX
 CAST FILLETS AND RADI 1/16 R

SHERWOOD
 A DIVISION OF HYPRID CORPORATION
 5331 E. JEFFERSON AVE. • DENVER, COLORADO 80221

DRAFTSMAN: KB DATE: 3-6-92 CHECKER: TLO DATE: 5-7-92 ASSY N^o:
 TITLE: PUMP ASSEMBLY - L10-B
 MATERIAL: SEE DETAIL DWG NO: L10-

PROJ.