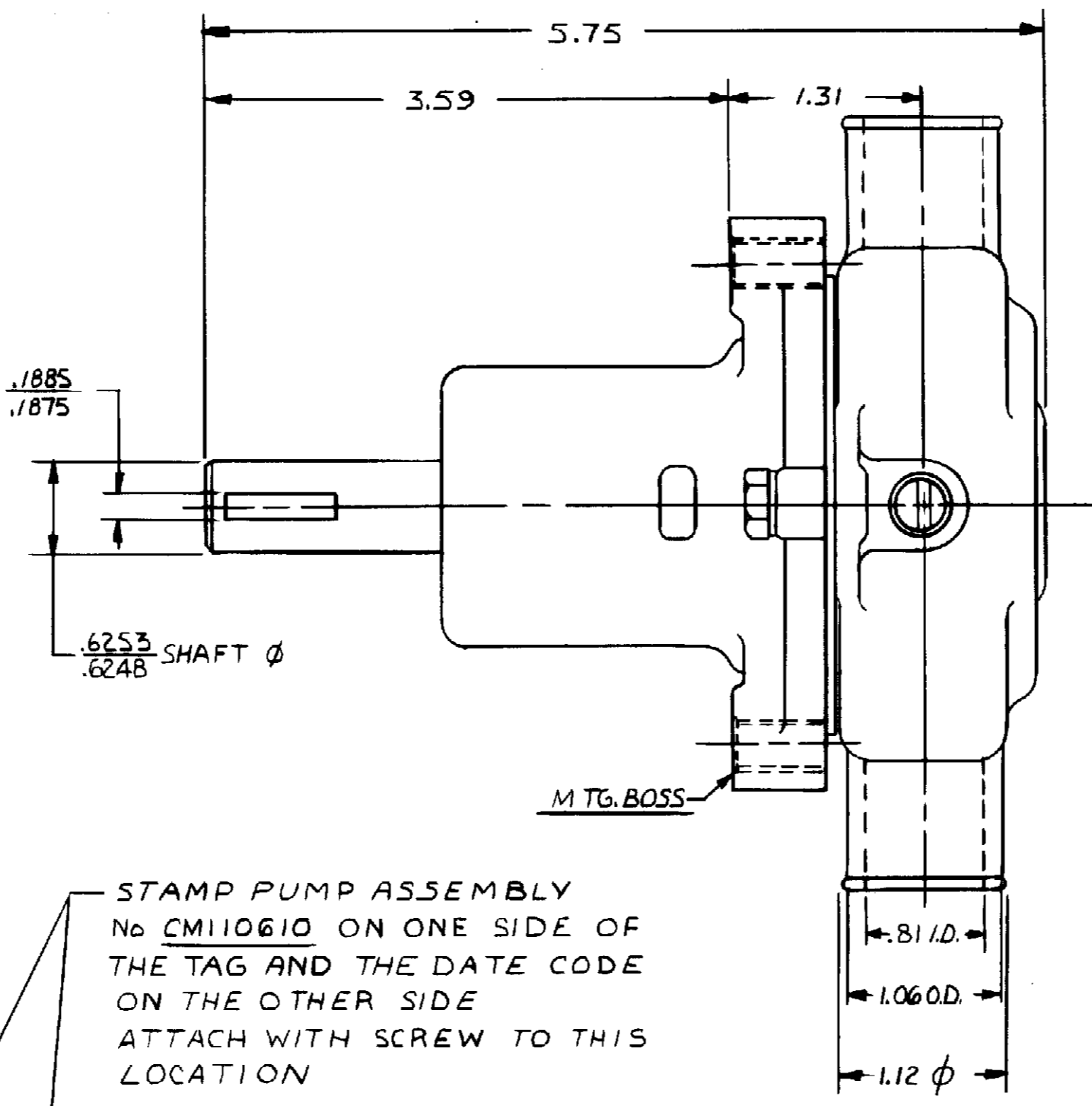


PARTS LIST

ITEM	PART NO.	DESCRIPTION	REQ'D
1	13274	SHAFT	1
2	12622	KEY- NO. 9 NON-ROK	1
3	4258	RET. RING -EXT.	3
4	4259	RET. RING -INT.	2
5	12211	BALL BEARING	2
6	5133	SPACER	1
7	12857	SCREW 1/4-20x3/4	3
8	12710	LOCKWASHER	3
9	12856	END PLATE	1
10	10515	SCREW 1/4-20x7/8	1
11	15883	CAM (214)	1
12	12303	HOUSING	1
13	9959	IMPELLER	1
14	4432	KEY- NO. 9 WOODRUFF	1
15	12231	O'RING	1
16	12855	GASKET	1
17	4264	THRUST WASHER	1
18	12256	SEAL SEAT	1
19	12314	MECH. SEAL	1
20	12328	BODY	1
18+19	12322	SEAL & SEAT ASSY	SER.
21	13429	PULLEY ASSEMBLY	1
22	12331	SET SCREW 1/4-20 x 5/16	1
23	13828	TAG - PART NO.	1

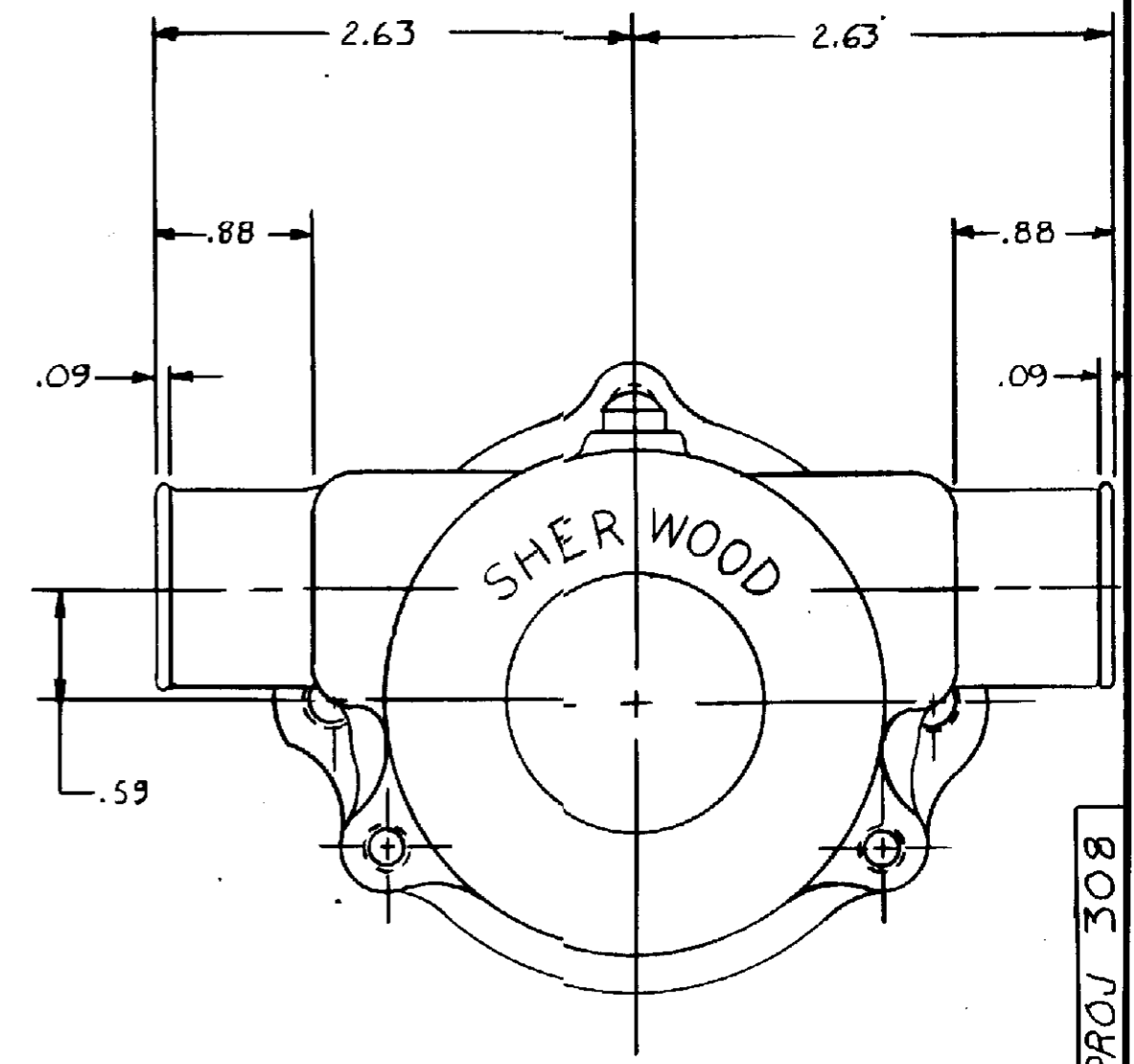
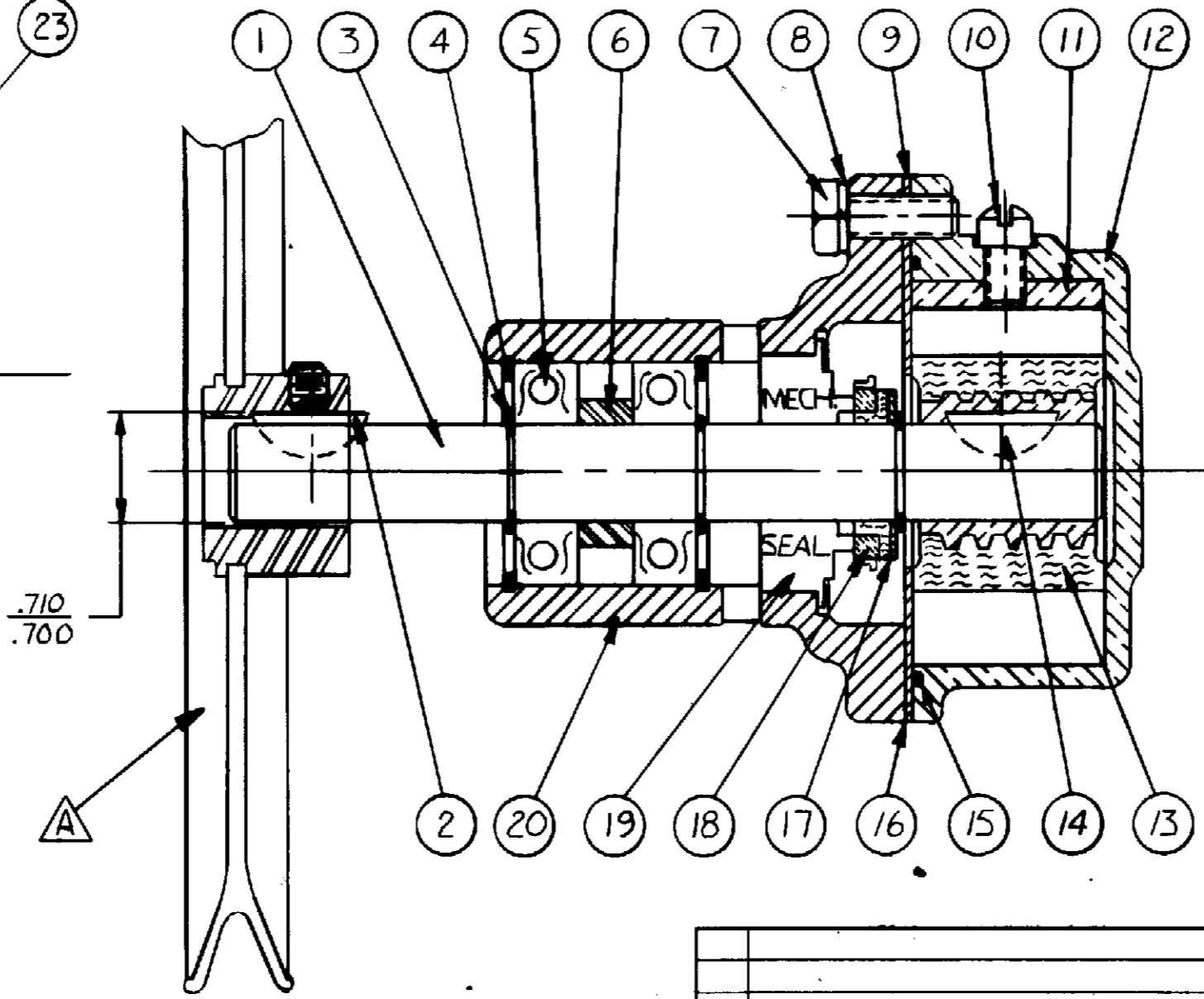
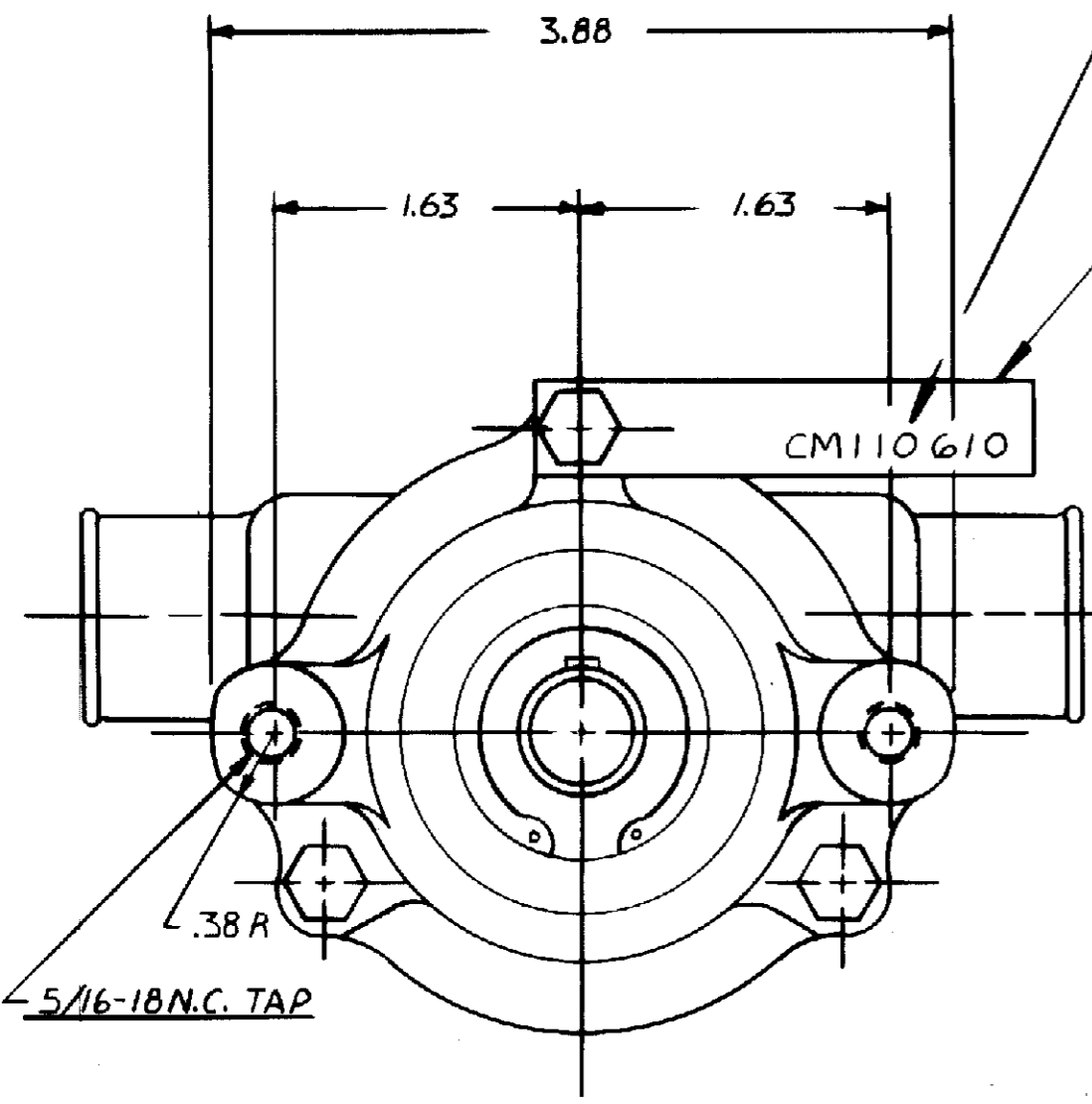
DESCRIPTION	SERVICE KIT NO.
MAJOR KIT	12665
MINOR KIT	12399

J 70



▲ SHIP PULLEYS IN SEPERATE CARTON
 LABEL 12209 1 REQ'D (K)
 CARTON 17659 WHEN QTY 1
 JIFFY BAG #4 (14486) 1 REQ'D

STAMP PUMP ASSEMBLY
 No CM110610 ON ONE SIDE OF
 THE TAG AND THE DATE CODE
 ON THE OTHER SIDE
 ATTACH WITH SCREW TO THIS
 LOCATION



COMMANDER #CM1-10-610

PROJ 308

REV.	DESCRIPTION	APPR.	DATE
K	LABEL & CARTON ADDED	SH	9/13/89
J	REDRAWN WITHOUT CHANGE	KB	12-29-88

UNLESS OTHERWISE SPECIFIED
 CAST DIMENSIONS ± .02
 FILLETS & RADII .06
 FINISH STOCK .07
 MACHINING TOLERANCE, INCHES
 XX ± .01, XXX ± .005
 SURFACE ROUGHNESS
 ANGLES ± 0° 30'
 CORNER BREAKS .01 MAX.
 || PARALLISM .001
 □ FLATNESS .001
 ⊥ SQUARENESS .001
 ⊙ CONCENTRICITY .001
 ○ ROUNDNESS .002
 ↻ RUNOUT .001

SHERWOOD
 A DIVISION OF HYPRO CORPORATION
 6331 S. JEFFERSON AVE. • DETROIT, MICHIGAN 48207

DRAFTSMAN	DATE	CHECKER	DATE	ASSY NO.
R.I.	2-26-80	RBM	12-15-80	

TITLE
PUMP ASS'Y - RUBBER IMP.

MATERIAL
 SEE DETAILS

DWG. NO.
 J 70