

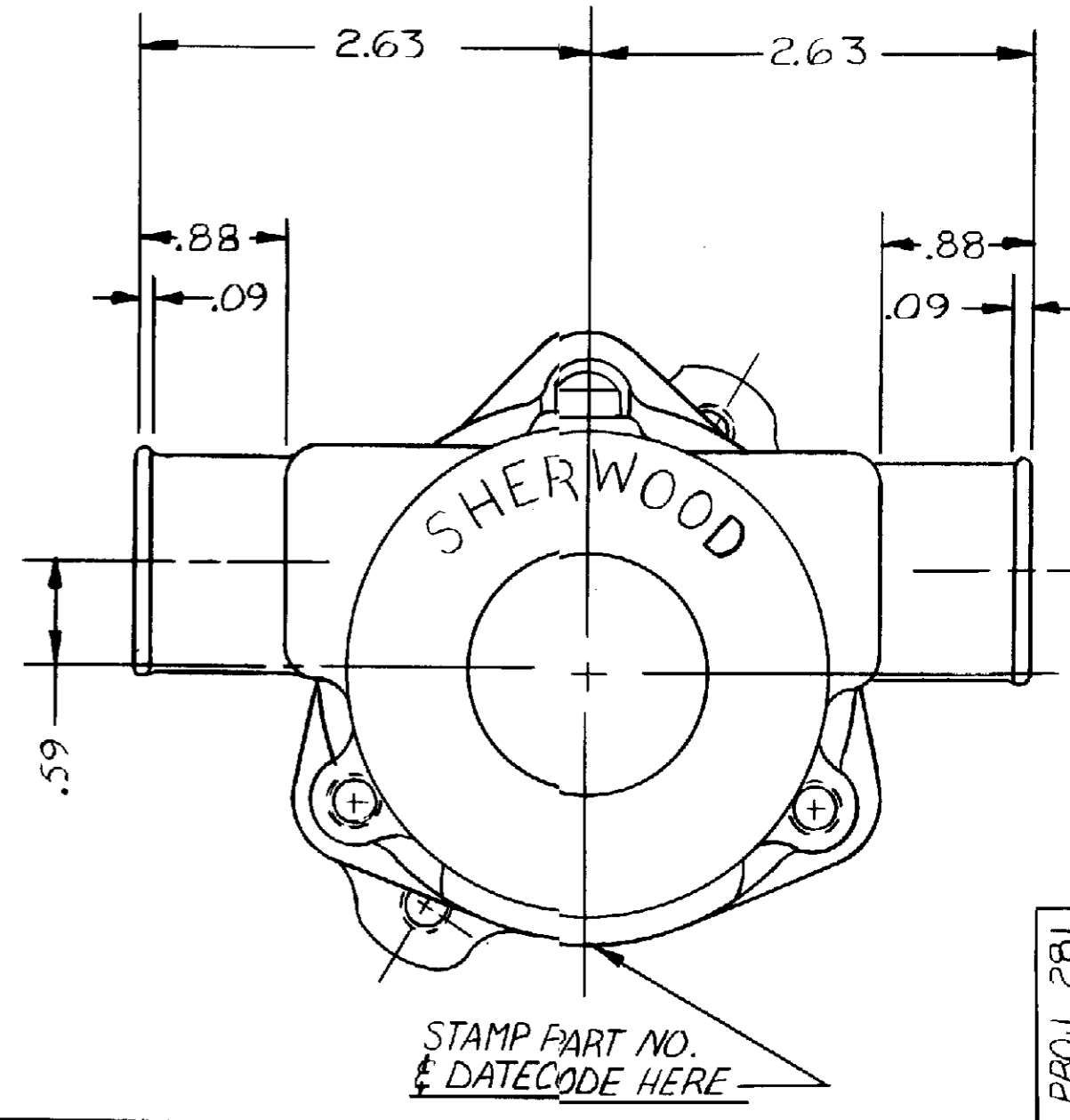
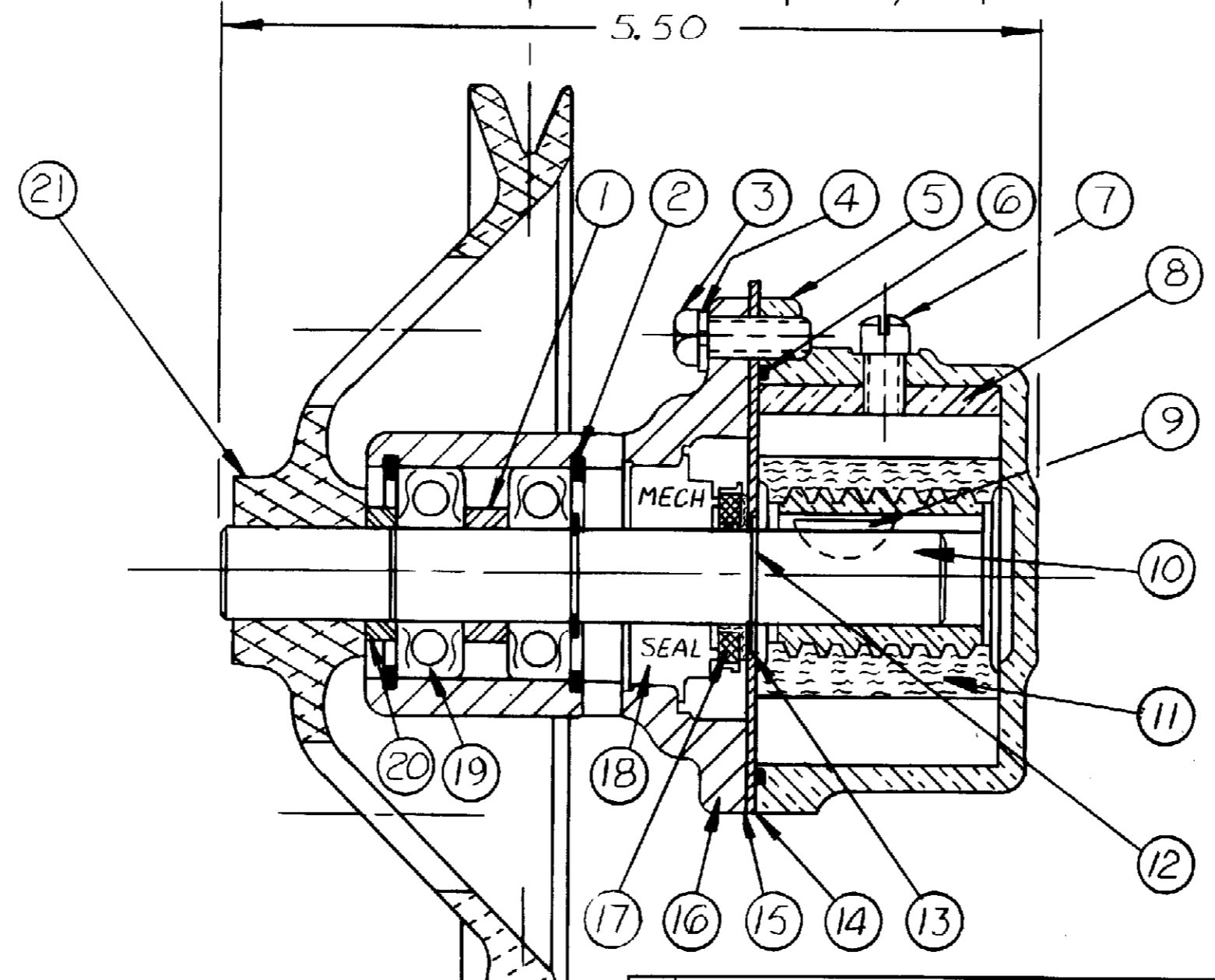
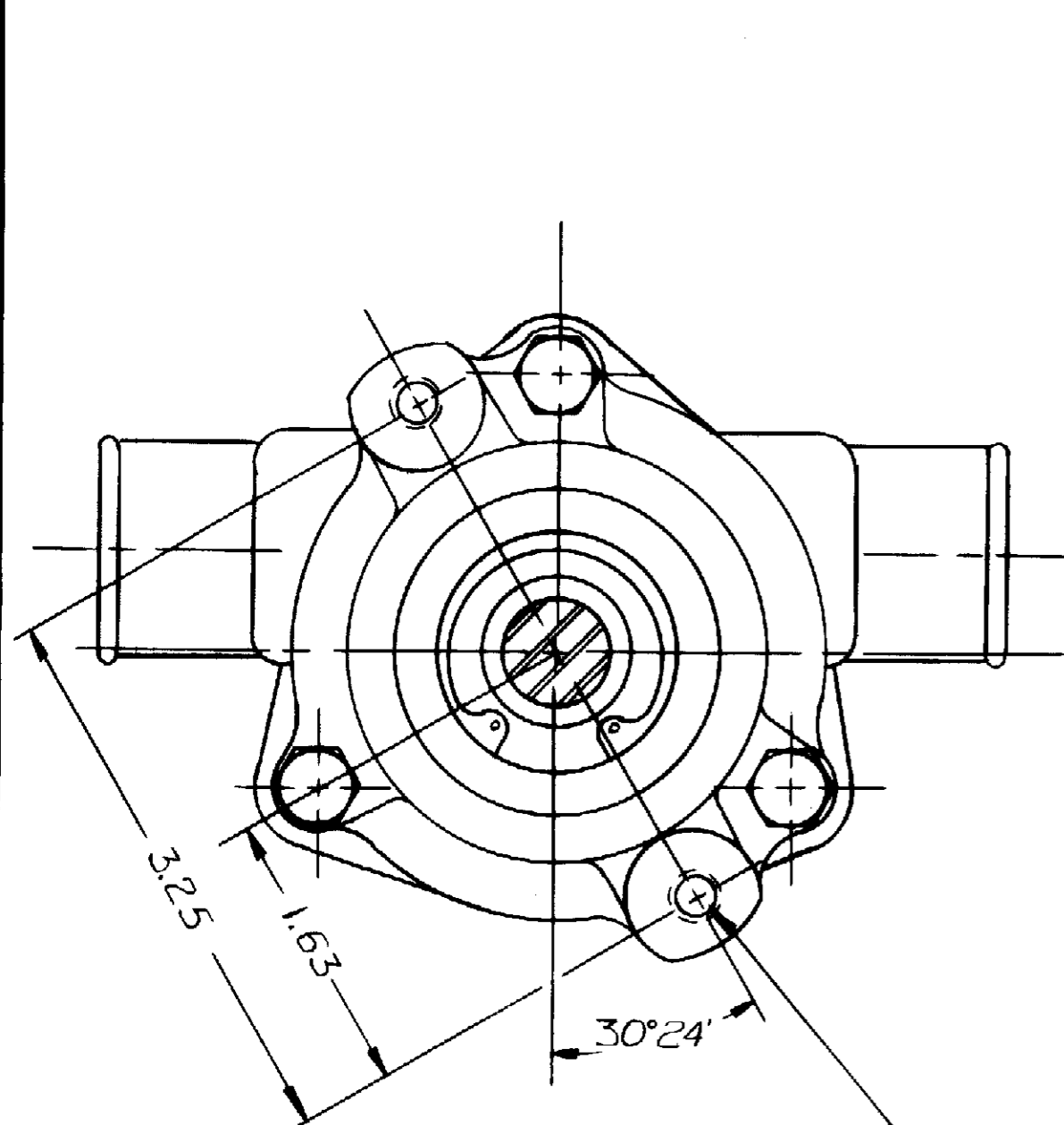
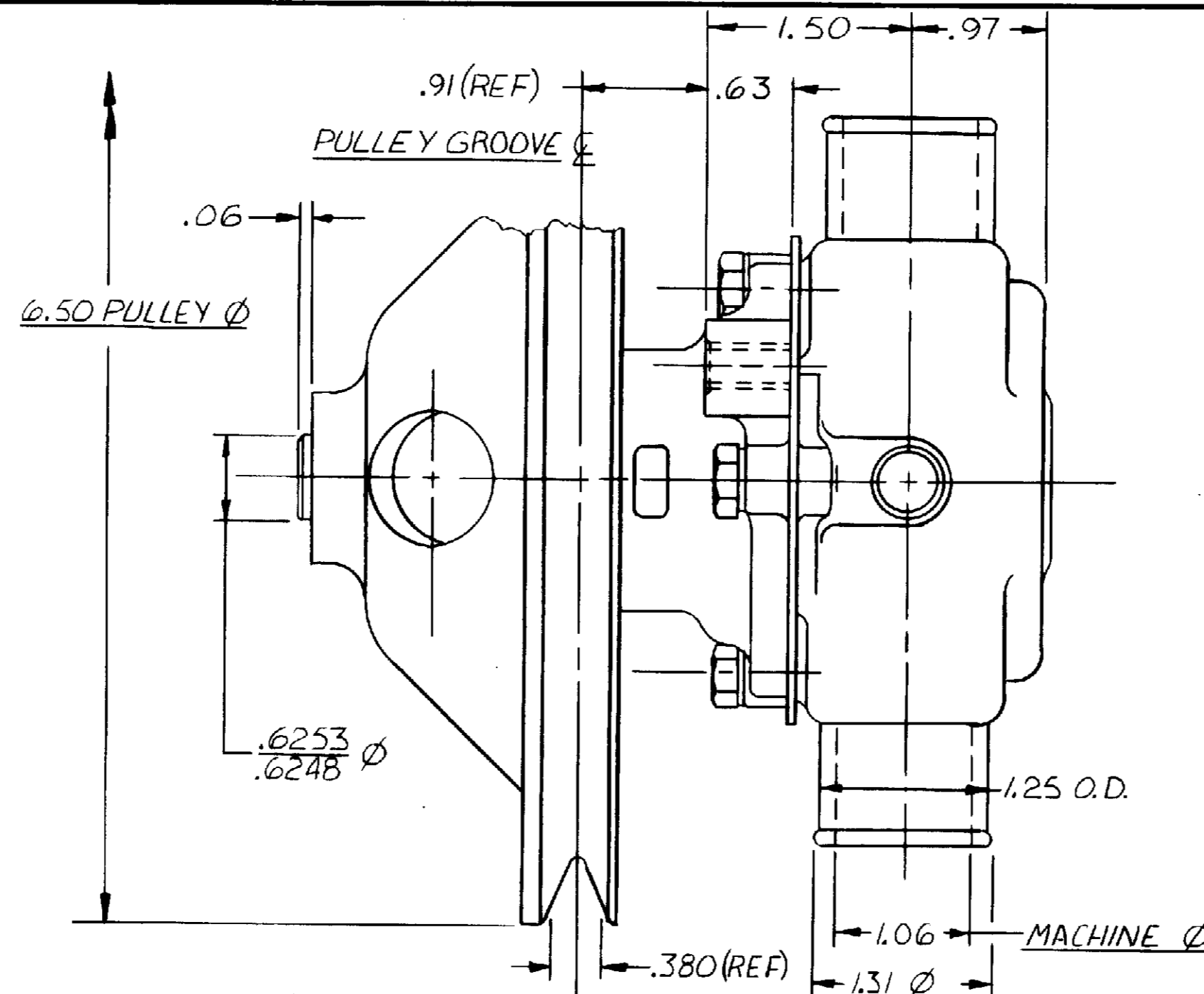
PARTS LIST

ITEM	PART NO.	DESCRIPTION	REQ'D
1	5133	SPACER BRG.	1
2	4259	RET. RING	2
3	12857	CAPSCREW 1/4-20x3/4	3
4	12710	LOCKWASHER	3
5	12952	HOUSING	1
6	12231	"O" RING	1
7	10515	SCREW	1
8	10929	CAM (.219)	1
9	4432	DRIVE KEY	1
10	12596	SHAFT	1
11	10615	IMPELLER	1
12	4258	RET. RING	2
13	4264	THRUST WASHER	1
14	12856	END PLATE	1
15	12855	GASKET	1
16	12328	BODY	1
17	12256	SEAL SEAT	1
18	12314	MECH. SEAL	1
19	12211	BALL BRG.	2
20	12304	SPACER	1
21	11874	PULLEY	1
(E) 17 & 18	12859	SEAL & SEAT ASS'Y SERVICE	
	12946	MAJOR REPAIR KIT	
	11790	MINOR REPAIR KIT	

H-85

PACKAGING: E  
 No 11516 PALLET 1 REQ'D  
 14120 TUBE, CONTAINER 1 REQ'D  
 14122 PADS 6 REQ'D  
 18025 INSERTS 4 REQ'D  
 25 PUMPS/LAYER X 4 LAYERS = 100 PUMPS/PALLET

UNIT PACKAGING  
 No 17636 CARTON W 1 REQ'D  
 12209 LABEL 1 REQ'D



5/16 - 18 UNC-2B THD.  
 2 HOLES  
 O.M.C. NO.: 982760

FLOW CURVE: 76004R-76009R

REV.	DESCRIPTION	APPR.	DATE
E	12859 WAS 12322	SH	7/5/90
D	REDRAWN WITHOUT CHANGE	KB	6-4-87

UNLESS OTHERWISE SPECIFIED  
 CAST DIMENSIONS ± .02  
 FILLETS & RADII .06  
 FINISH STOCK .07  
 MACHINING TOLERANCE, INCHES  
 XX ± .01, XXX ± .005  
 SURFACE ROUGHNESS  
 ANGLES ± 0° 30'  
 CORNER BREAKS .01 MAX.  
 PARALLISM .001  
 FLATNESS .001  
 SQUARENESS .001  
 CONCENTRICITY .001  
 ROUNDNESS .0002  
 RUNOUT .001

**SHERWOOD**  
 A DIVISION OF HYPRO CORPORATION  
 6331 E. JEFFERSON AVE. • DETROIT, MICHIGAN 48207

DRAFTSMAN	DATE	CHECKER	DATE	ASSY NO.
R.I.	10-31-79	RBM	11-1-79	

TITLE: PUMP ASSEMBLY - RUBBER IMPELLER  
 MATERIAL: SEE DETAILS  
 DWG. NO.: H-85

PROJ. 281