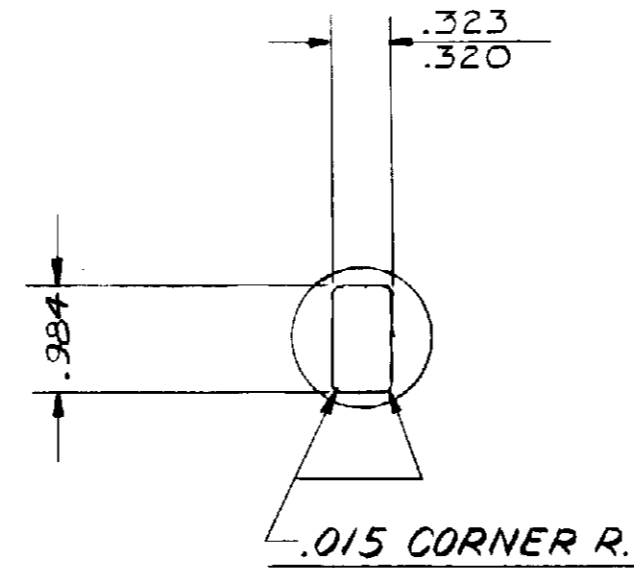


PARTS LIST

ITEM	PART NO.	DESCRIPTION	REQ'D
1	7070	SLINGER	1
2	11628	LIP SEAL	2
3	11518	CARBON BUSHING	1
4	11882	SHAFT	1
5	11880	BODY	1
6	11885	GASKET	1
7	13293	SCREW (NO. 10)	6
8	11884	COVER PLATE	1
9	10093	NO. 2 WOODRUFF KEY	1
10	10077	IMPELLER	1
11	10285	CAM (.125)	1
12	10195	SCREW 10-32xV4	1
13	12863	RETAINING RING	2

(D)
(E)
(C)



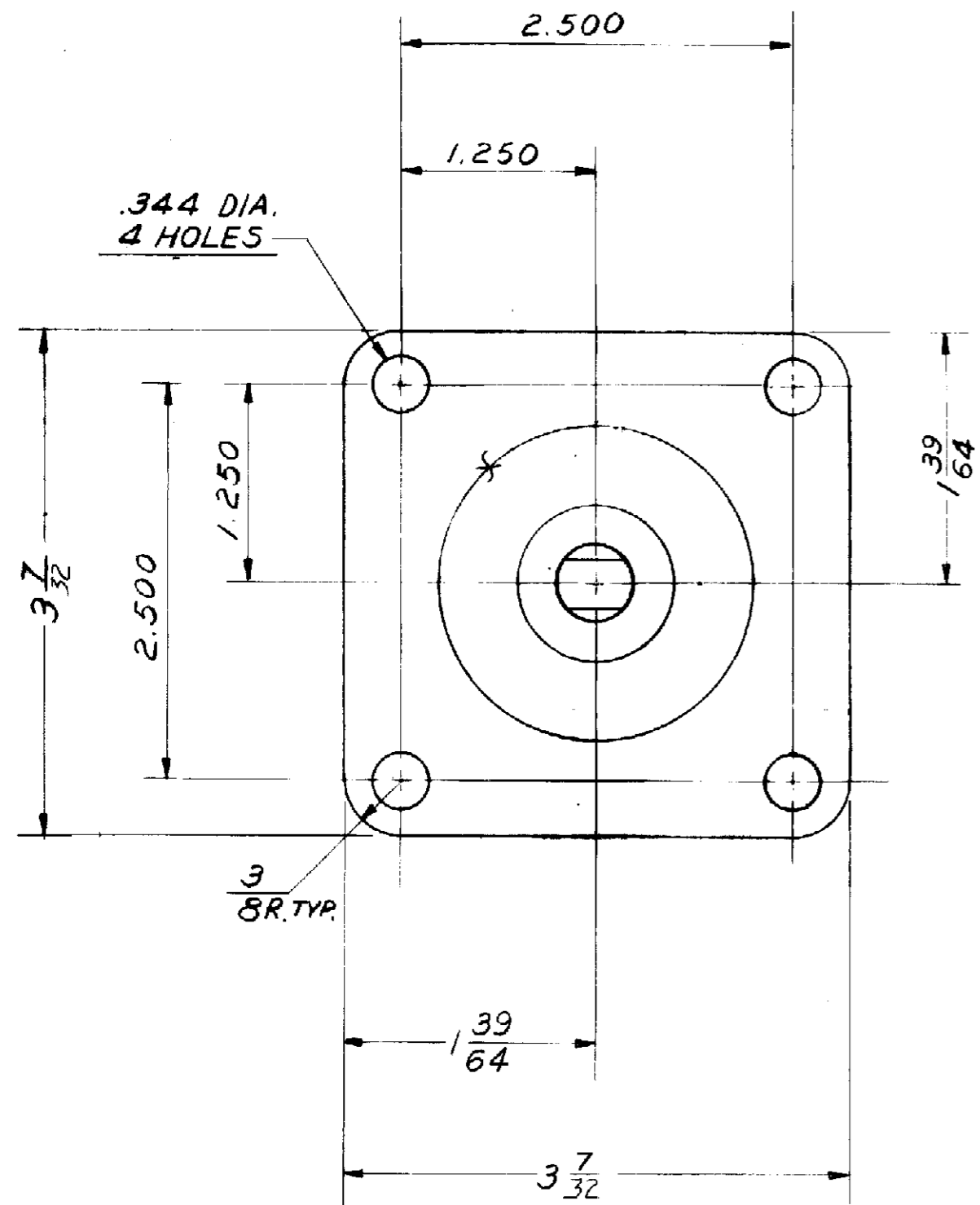
ENGINE FEMALE TANG DRIVE

SERVICE ASS'Y NO	COMPONENT ITEM NO.'S
BODY ASS'Y NO. 11881	513
MINOR REPAIR KIT NO. 13367 MAJOR REPAIR KIT NO. 13366	

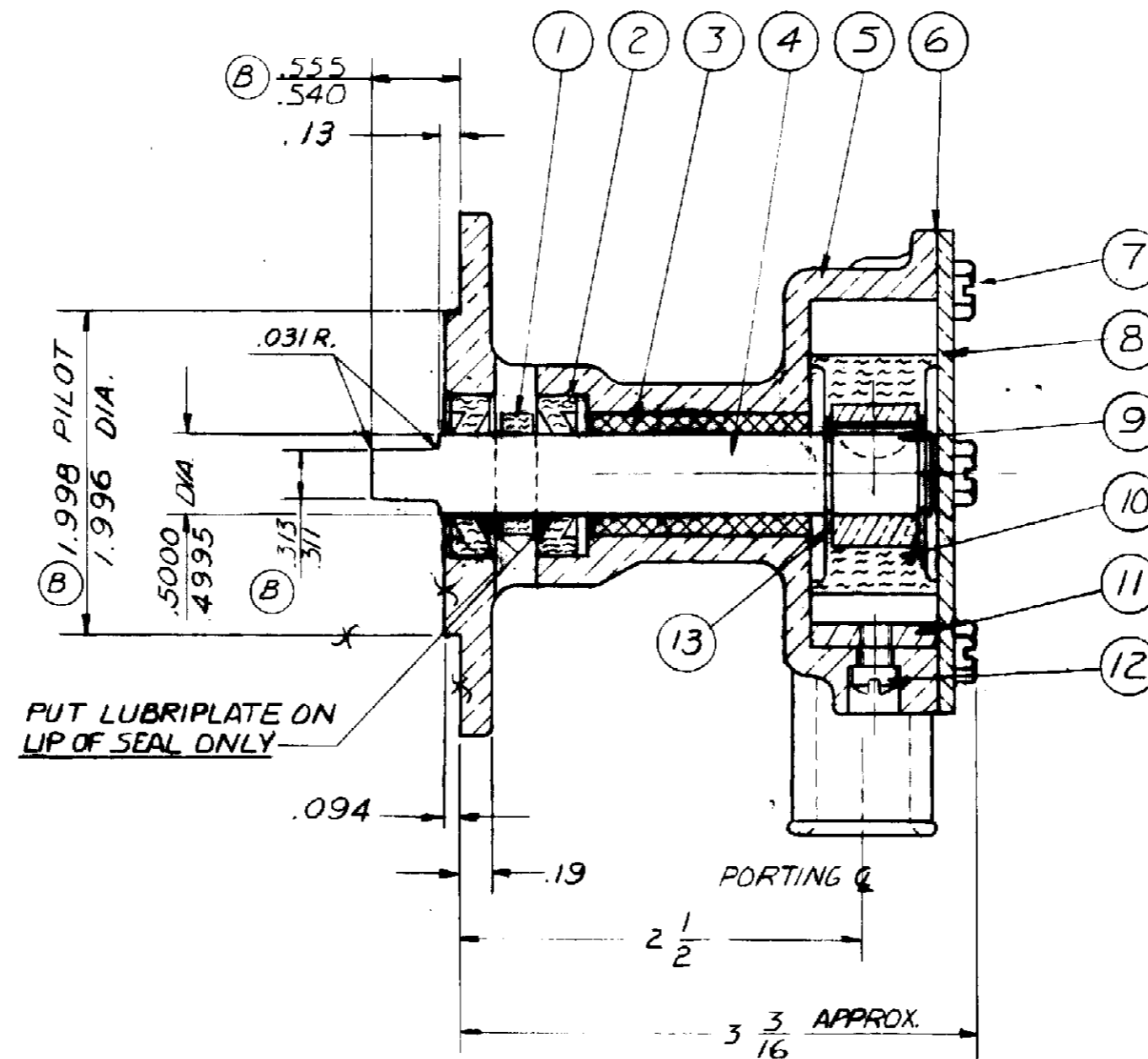
H-70

UNIT PACKAGING:

NO 17860 CARTON 1REQ'D
17611 JIFFY BAG 1REQ'D
12209 LABEL 1REQ'D

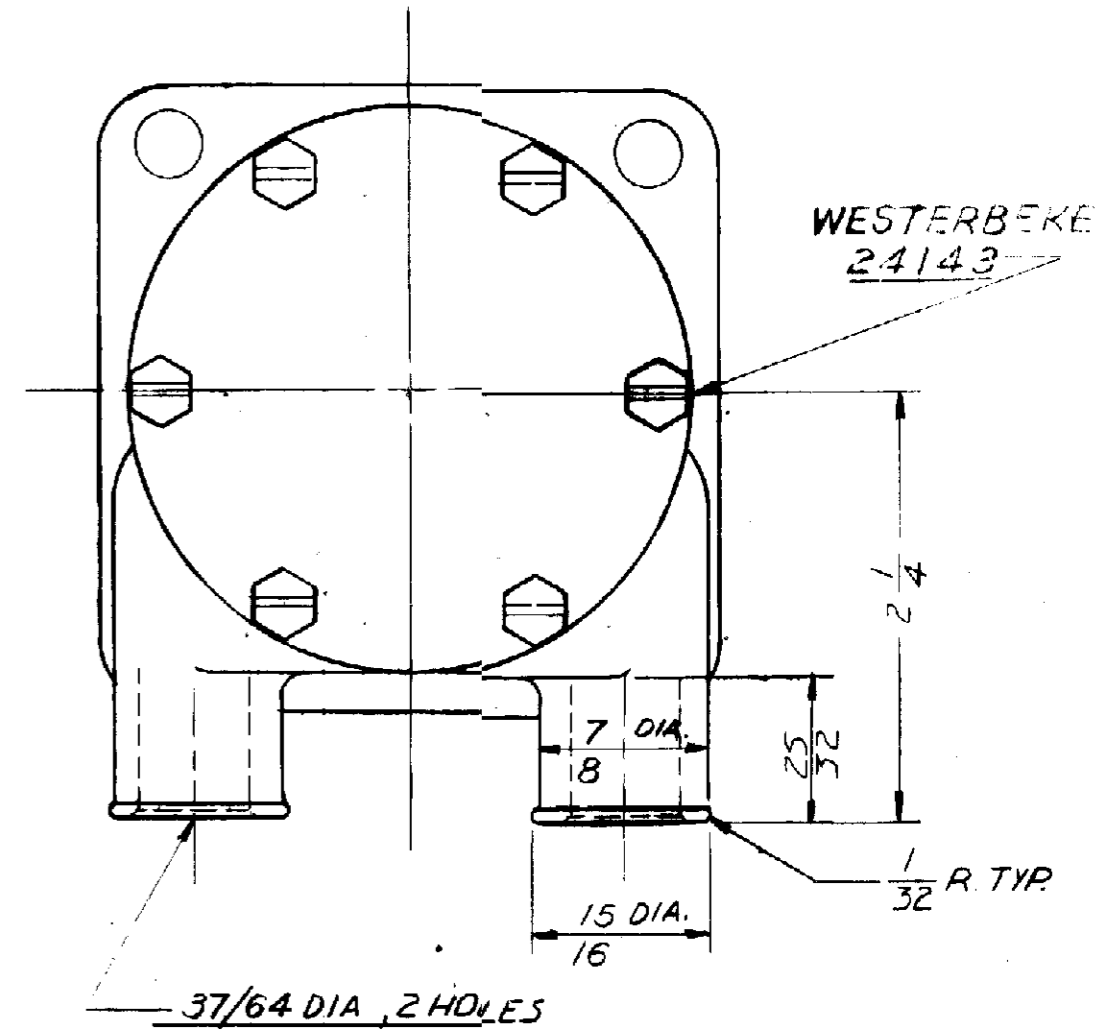


FREE FLOW CAPACITY MIN.
6.2 GPM @ 3000 RPM



PUT LUBRIPLATE ON LIP OF SEAL ONLY

PORTING Q



CURVE NO 79013R

UNLESS OTHERWISE SPECIFIED TOLERANCE TO BE
CAST DIMENSION FRACTIONAL ±.020
MACHINED DIMENSION: DECIMAL
.01 = ± .010
.001 = ± .005
ANGLES ± 1/2°
MACHINED SURFACE ROUGHNESS
ALLOW 1/16 STOCK ON ALL FINISHED SURFACES FOR MACHINING.
BREAK ALL SHARP EDGES .010 MAX
CAST. FILLERS AND RADIUS 1/16 R

REV	DESCRIPTION	DATE	BY
E	10285 WAS 10282	7/18/88	ML
D	WAS NO 344 SCREW	7/18/88	AVB
C	NO 12863 RETAINING RINGS ADDED	7/18/88	AVB
B	DWGS. REVISED PER DWG NO 24150	4/17/88	AVB
A	DWG. REVISED PER WESTERBEKE	4/17/88	AVB

SHERWOOD
A DIVISION OF INTRAC CORPORATION
10000 W. 10TH AVE., DENVER, COLORADO 80201

DRAFTSMAN	DATE	CHECKER	DATE	PROJ. NO.
A. U. B.	10/9/79			284

TITLE: RUBBER IMPELLER PUMP ASS'Y
MATERIAL: SEE DETAILS
DWG NO: H-70