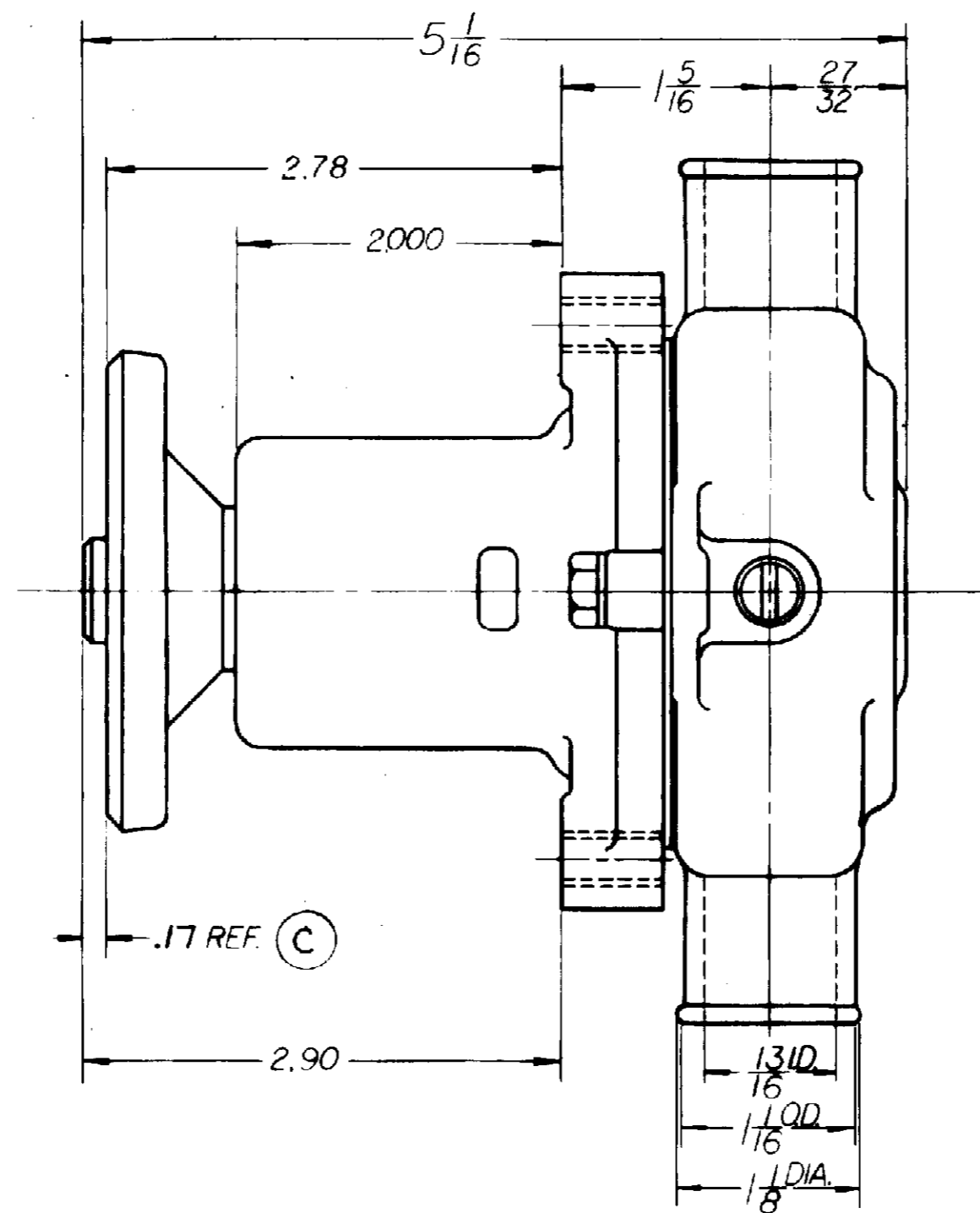
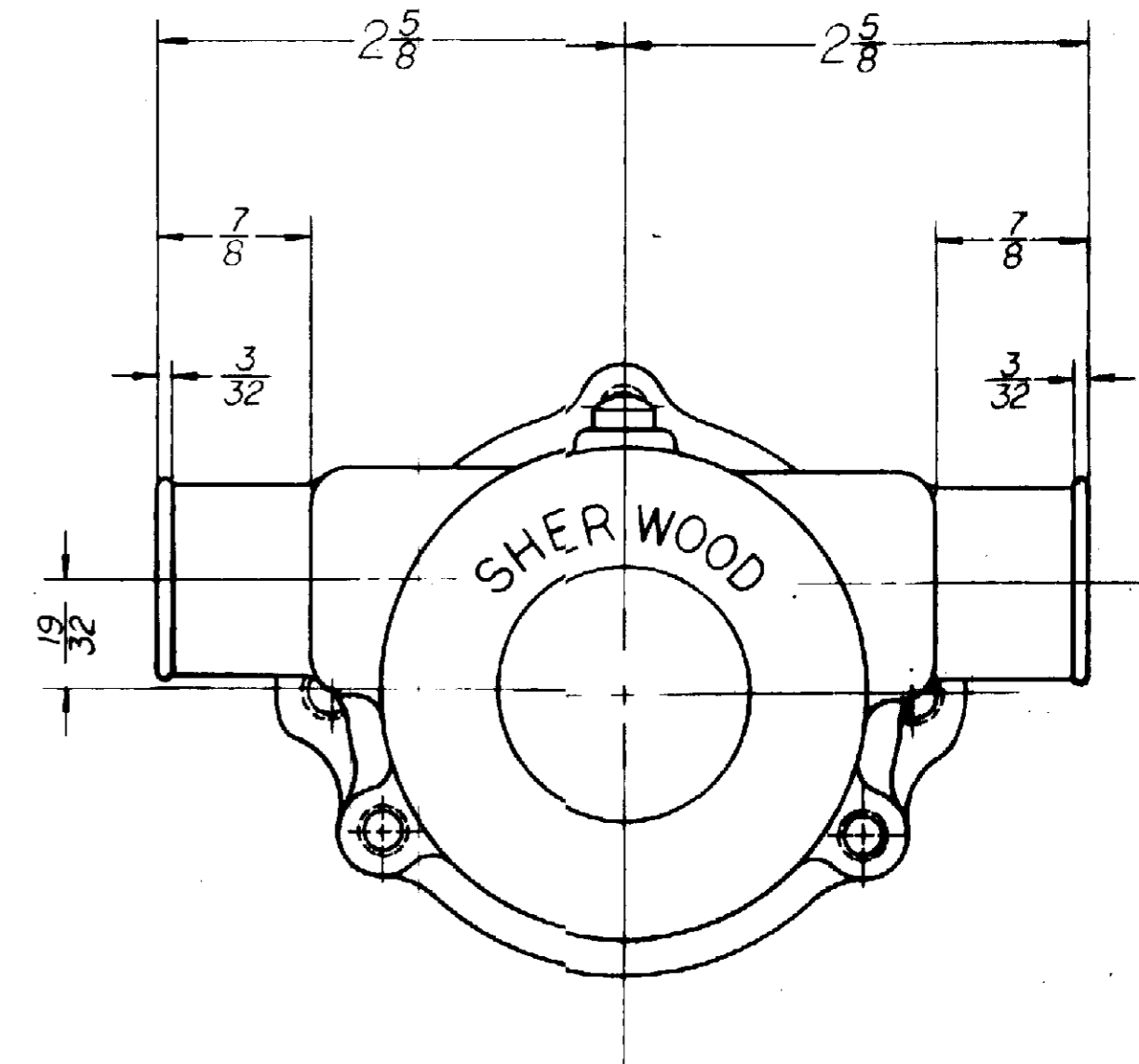
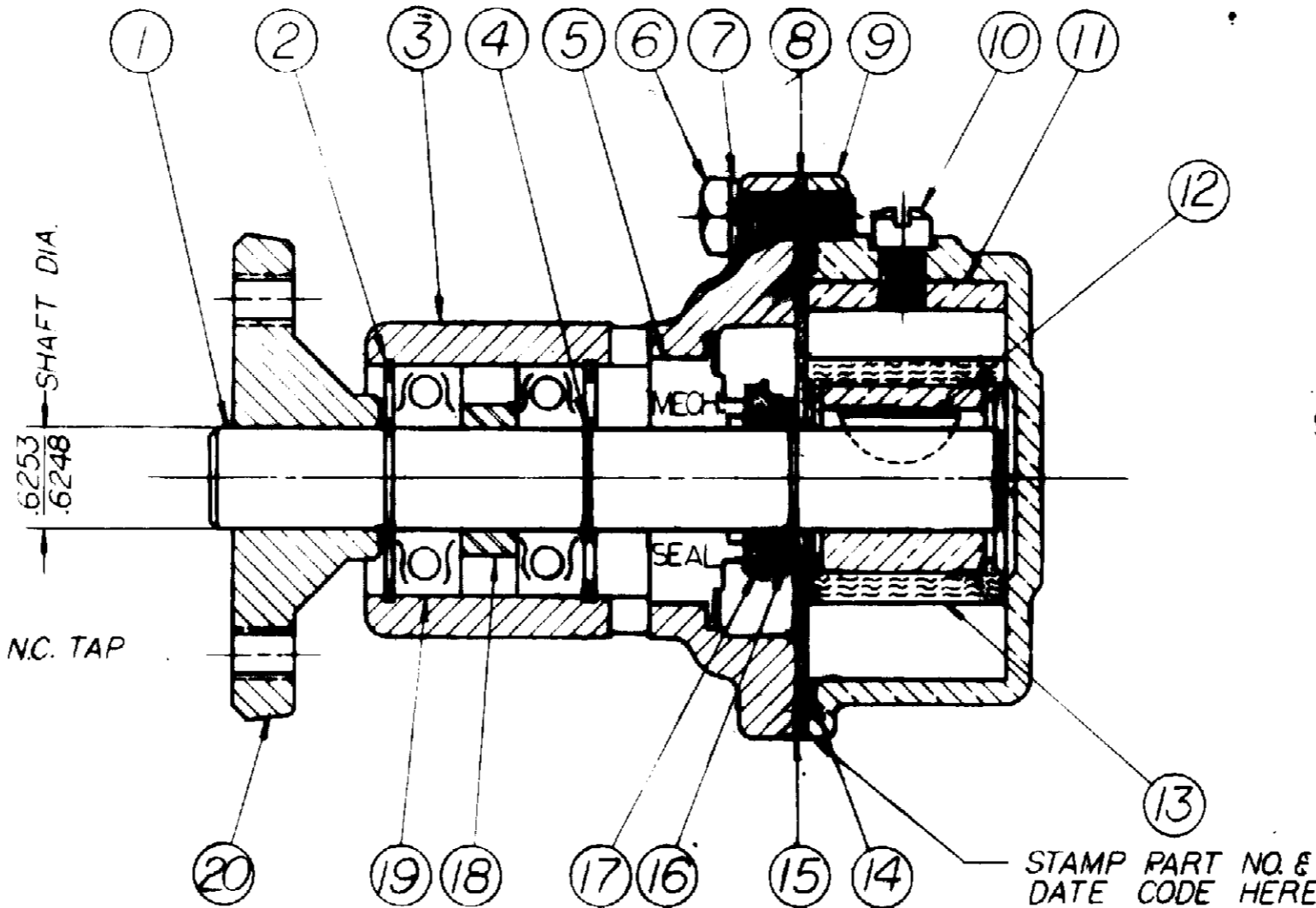
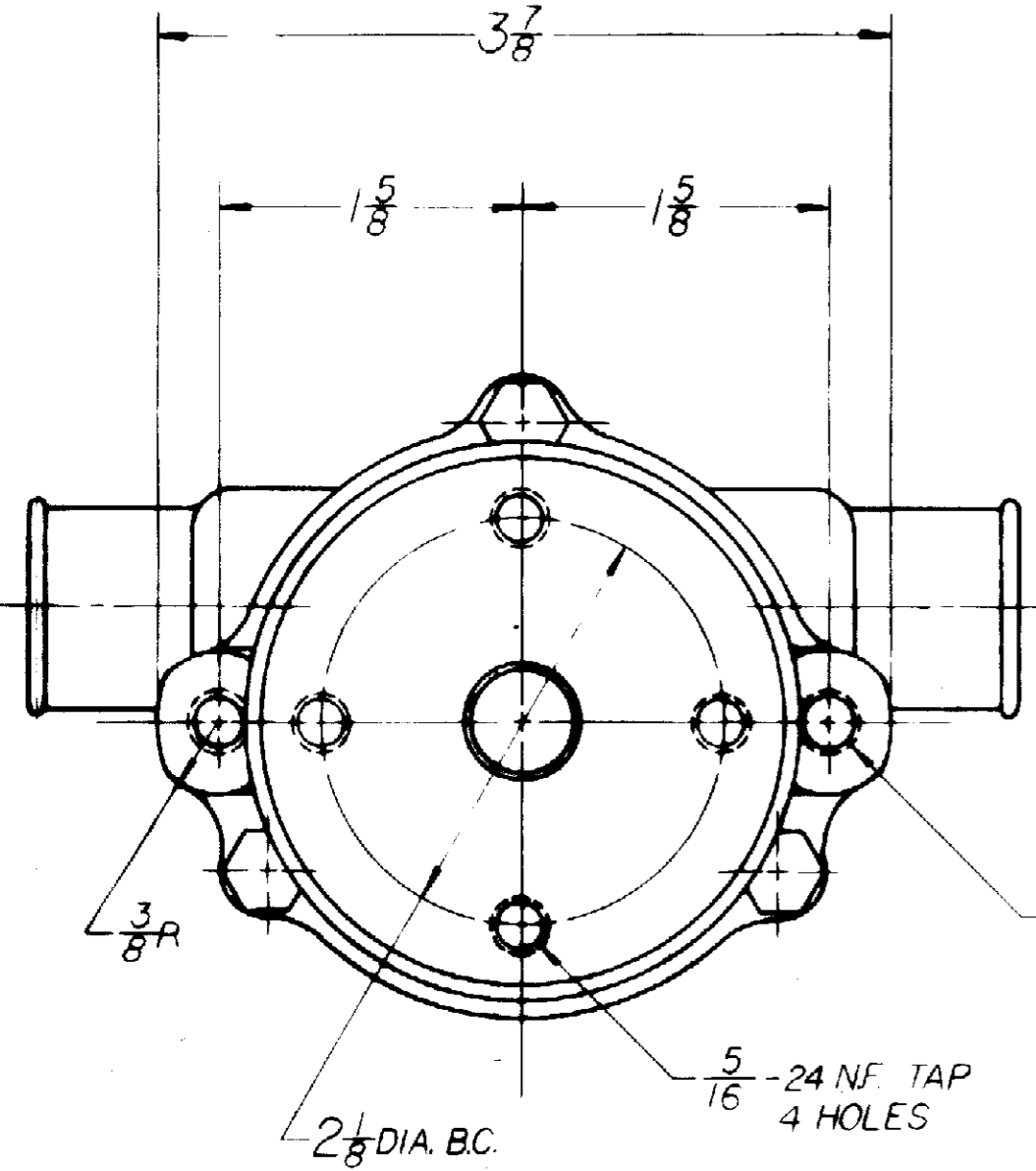


PARTS LIST

ITEM	PART NO.	DESCRIPTION	REQ'D
1	12596	SHAFT	1
2	4259	RET. RING	2
3	12328	BODY	1
4	4258	RET. RING	3
5	12314	MECH. SEAL	1
6	12857	CAPSCREW	3
7	P-12710	LOCKWASHER	3
8	12856	END PLATE	1
9	12303	HOUSING	1
10	10515	SCREW	1
11	10627	CAM	1
12	4432	KEY	1
13	9959	IMPELLER	1
14	12231	O' RING GASKET	1
15	12855	GASKET	1
16	4264	THRUST WASHER	1
17	12256	SEAL SEAT	1
18	5133	SPACER BEARING	1
19	12211	BALL BEARING	2
20	97176	HUB - PULLEY	1
21	17659	CARTON Y	1
22	14486	GIFFY BAG No 4	1
23	12209	LABEL	1



SERVICE ASSY NO.	COMPONENT ITEM NO'S
SEAL & SEAT ASSY NO. 12859	5 & 17
MAJOR REPAIR KIT NO. 12665	(A)
MINOR REPAIR KIT NO. 12399	



THERMO-ELECTRON # 97512

CURVE NO 72010R - 72011R

REV	DESCRIPTION	CHK	DATE
F	12859 WAS 12322	SH	7/5/90
E	12314 WAS 8388	SH	11-11-86
D	LOGO REVISED	SH	10-1-86
C	.170 REF WAS .12	RM	2-11-84
B	4259 RET RING WAS 12397		
A	REPAIR KITS ADDED		

UNLESS OTHERWISE SPECIFIED TOLERANCE TO BE
 CAST DIMENSION ± .020
 MACHINED DIMENSION
 FRACTIONAL ± .010
 DECIMAL ± .005
 ANGLES ± 1/2
 MACHINED SURFACE ROUGHNESS
 ALLOW 1/16 STOCK ON ALL FINISHED SURFACES FOR REWORKING
 BREAK ALL SHARP EDGES TO MAX
 CAST FILLETS AND RADII 1/16 R

SHERWOOD
 A DIVISION OF HYPRO CORPORATION
 8331 E. JEFFERSON AVE. • DETROIT, MICHIGAN 48207

DRAWN BY	DATE	CHECKER	DATE	ASSY NO.
B X	7-27-78	RBM	7/28/78	

TITLE: **PUMP ASSY-RUB IMPELLER**

MATERIAL: SEE DETAILS

PROJ. NO. 255