

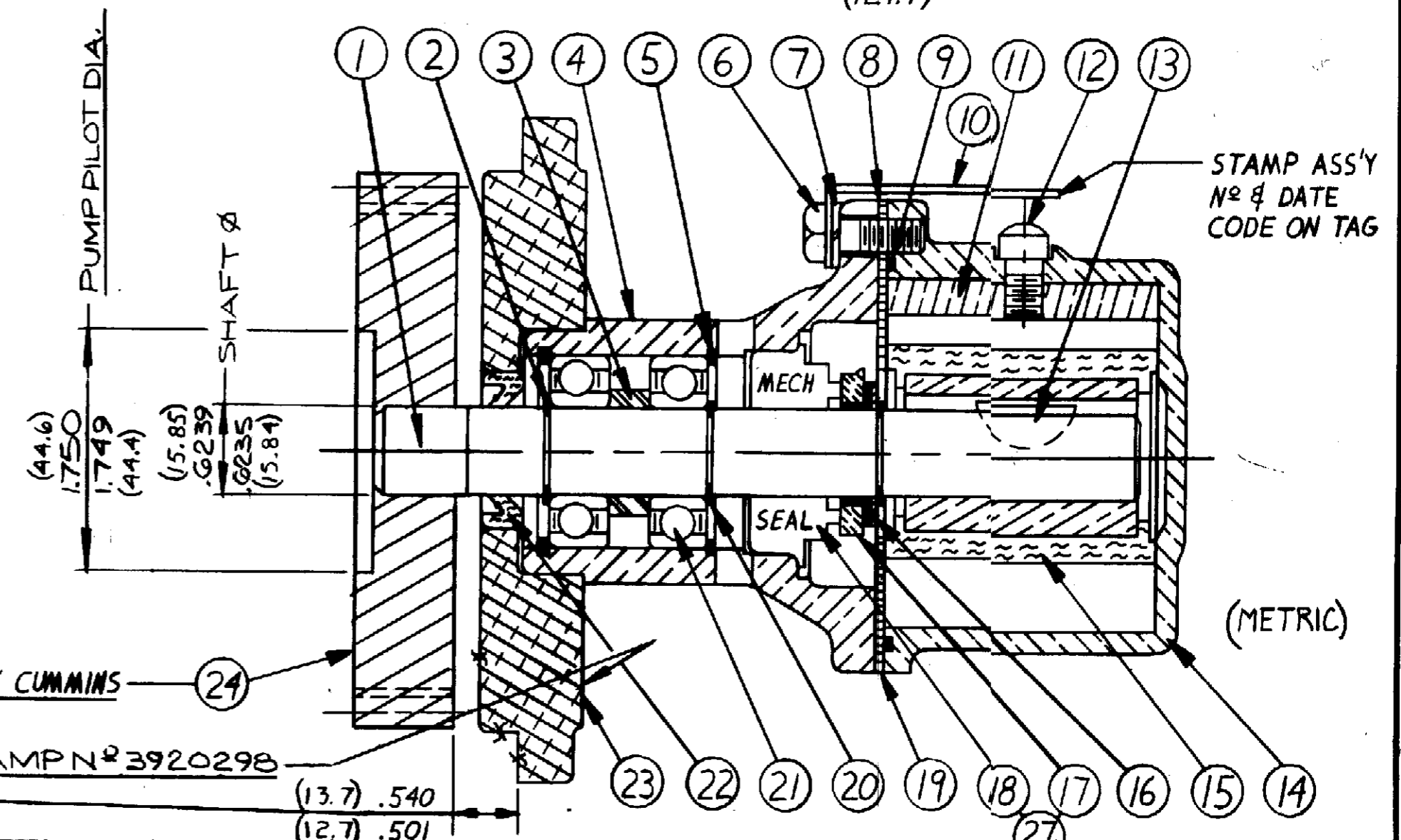
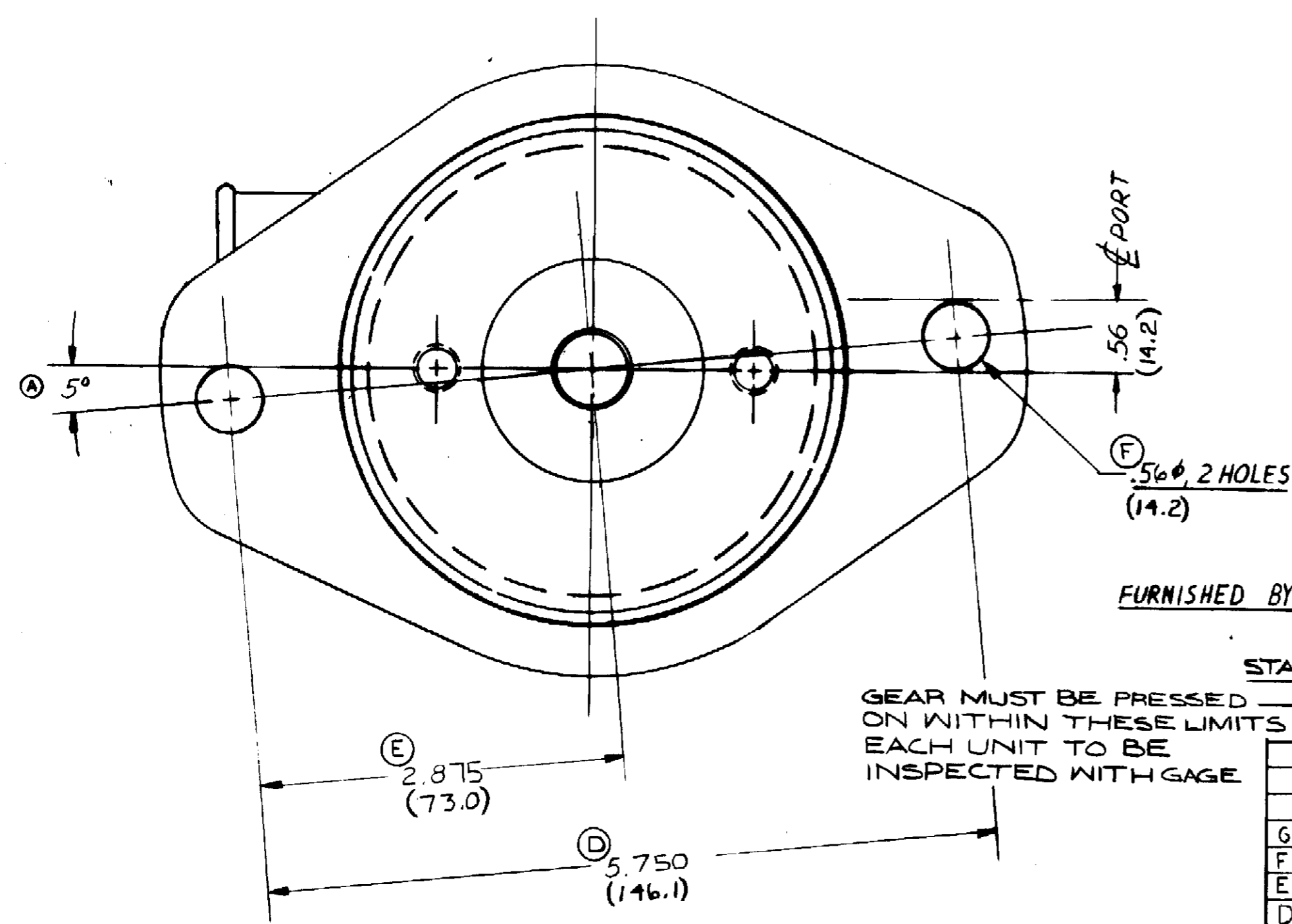
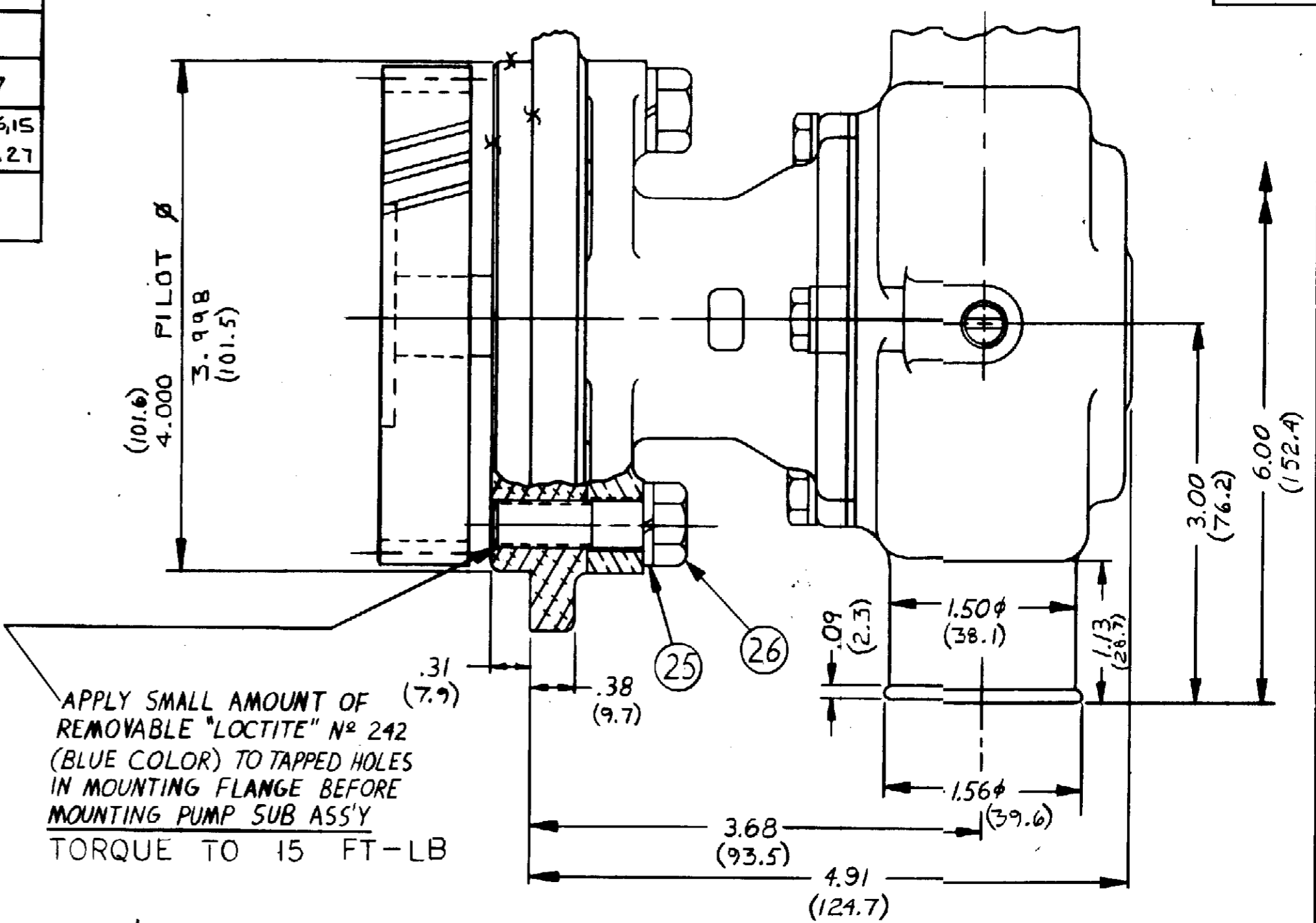
PARTS LIST

ITEM	PART NO.	DESCRIPTION	REQ'D
1	21069	SHAFT	1
2	14161	EXT. RET. RING	1
3	5133	SPACER	1
4	14160	BODY	1
5	4259	INT. RET. RING	2
6	12857	1/4 HEX. CAPSCREW	3
7	12710	1/4 LOCKWASHER	3
8	12855	GASKET	1
9	12231	O-RING GASKET	1
10	13285	TAG	1
11	18398	CAM	1
12	10515	CAM SCREW	1
13	4432	Nº 9 WOODRUFF KEY	1
14	17684	HOUSING	1
15	15000	RUBBER IMPELLER	1
16	4264	FLAT WASHER	1
17	12256	SEAL SEAT	1
18	12314	MECH. SEAL	1
19	12856	END PLATE	1
20	4258	EXT. RET. RING	2
21	12211	BALL BEARING	2
22	10514	LIP SEAL	1
23	19387	MOUNTING ADAPTER	1
24	14184	GEAR-EXT. DRIVE	1
25	4991	3/8 LOCKWASHER	2
26	14163	3/8 HEX. CAPSCREW	2
27	12859	SEAL & SEAT ASSY	SERVICE

SERVICE ASSY.	COMPONENT ITEMS
12859 SEAL AND SEAT ASSY	ITEMS 17 & 18
15979 MINOR REPAIRKIT	ITEMS 8, 9, 15, & 27
19388 MAJOR REPAIRKIT	ITEMS 1, 2, 3, 4, 5, 13, 16, 15, 20, 21, 22, 23, 24, 25, 26, 27
18694 SERVICE KIT	ITEMS 9, 11, 14, 15

SHIPPING:
 11516 PALLET 1 REQ'D
 14120 TUBE CONTAINER 1 REQ'D
 14122 PADS 6 REQ'D
 18025 INSERTS 4 REQ'D
 25 PUMPS PER LAYER * 4 LAYERS
 =100 PUMPS PER PALLET

UNIT PACKAGING:
 Nº17636 CARTON W 1 REQ'D
 12209 LABEL 1 REQ'D



FURNISHED BY CUMMINS

STAMP Nº 3920298

CUMMINS # 3920298

REV	DESCRIPTION	APPR	DATE
G	ADDED METRIC DIM.	TLG	1-7-93
F	WAS .53 DIA.	K.W.	12-16-93
E	WAS 2.883	K.W.	12-16-93
D	WAS 7.567	K.W.	12-16-93
C	Nº 19388 KIT WAS Nº 19370	AVB	9/11/90
B	Nº 19387 ADAPTOR WAS Nº 19371	AVB	9/11/90
A	5° WAS 0°	AVB	9/11/90

SHERWOOD
 A DIVISION OF HYPRO CORPORATION
 6331 E. JEFFERSON AVE. • DETROIT, MICHIGAN 48207

DRAFTSMAN: SH DATE: 7/27/90 CHECKER: AVB DATE: 7/27/90 PROJ. NO.: 945

TITLE: RUBBER IMPELLER PUMP ASSY

MATERIAL: SEE DETAILS DWG. NO.: GC4

UNLESS OTHERWISE SPECIFIED:
 CAST DIMENSIONS ± .02
 FILLETS & RADII .06
 FINISH STOCK .07
 MACHINING TOLERANCE INCHES: XX ± .01, XXX ± .005
 SURFACE ROUGHNESS: ✓
 ANGLES ± 0° 30'
 CORNER BREAKS .01 MAX.
 PARALLISM .001
 FLATNESS .001
 SQUARENESS .001
 CONCENTRICITY .001
 ROUNDNESS .0002
 RUNOUT .001