

PARTS LIST

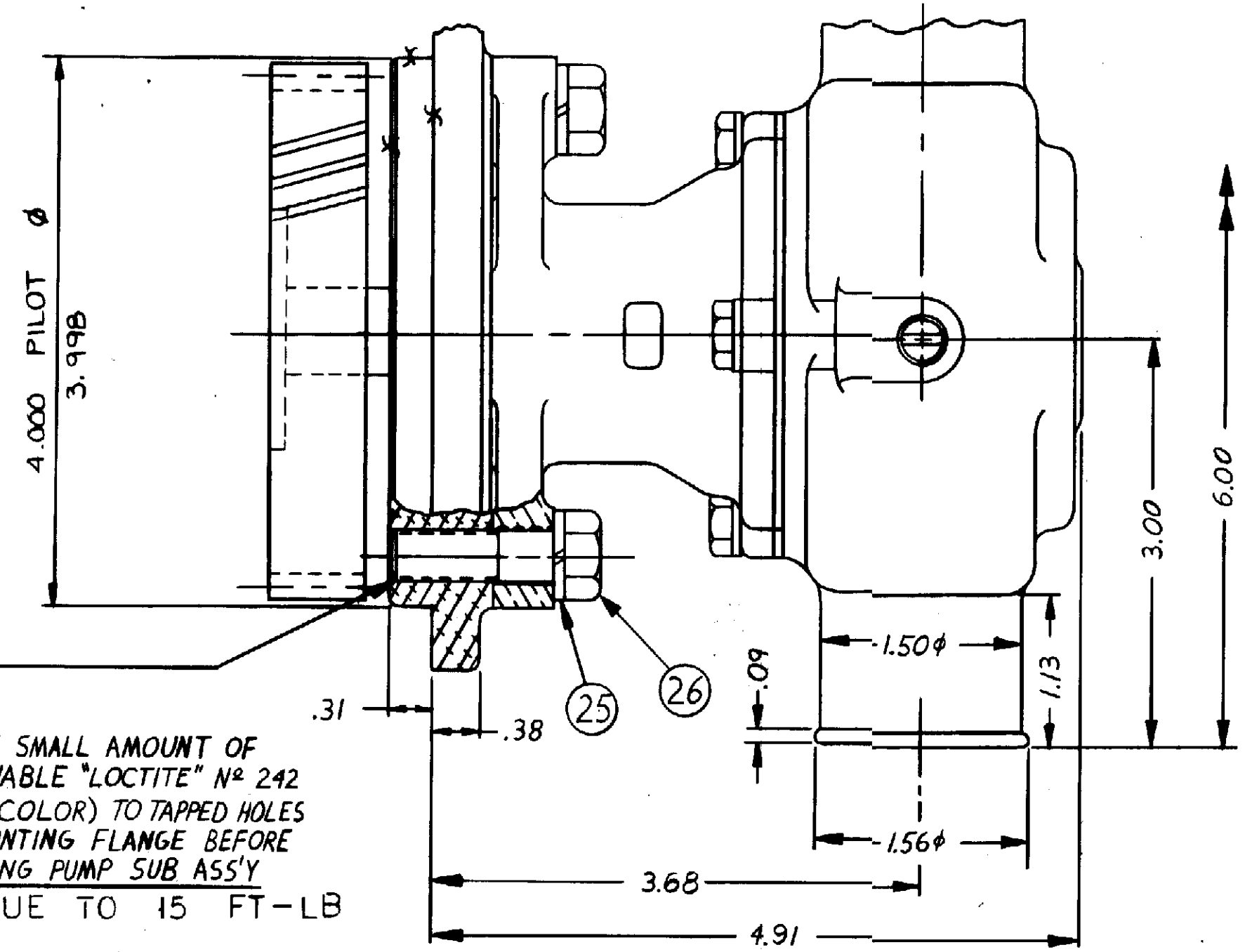
ITEM	PART NO.	DESCRIPTION	REQ'D
1	21069	SHAFT	1
2	14161	EXT. RET. RING	1
3	5133	SPACER	1
4	14160	BODY	1
5	4259	INT. RET. RING	2
6	12857	1/4 HEX. CAPSCREW	3
7	12710	1/4 LOCKWASHER	3
8	12855	GASKET	1
9	12231	O-RING GASKET	1
10	13285	TAG	1
11	18398	CAM	1
12	10515	CAM SCREW	1
13	4432	Nº 9 WOODRUFF KEY	1
14	17684	HOUSING	1
15	15000	RUBBER IMPELLER	1
16	4264	FLAT WASHER	1
17	12256	SEAL SEAT	1
18	12314	MECH. SEAL	1
19	12856	END PLATE	1
20	4258	EXT. RET. RING	2
21	12211	BALL BEARING	2
22	10514	LIP SEAL	1
23	18681	MOUNTING ADAPTER	1
24	14184	GEAR-EXT. DRIVE	1
25	4991	3/8 LOCKWASHER	2
26	14163	3/8 HEX. CAPSCREW	2
27	12859	SEAL & SEAT ASSY	SERVICE

SERVICE ASSY.	COMPONENT ITEMS
12859 SEAL AND SEAT ASSY	ITEMS 17 & 18
15979 MINOR REPAIR KIT	ITEMS 8, 9, 15 & 27
15980 MAJOR REPAIR KIT	ITEMS 1, 2, 3, 4, 5, 13, 16, 15, 20, 21, 22, 23, 29, 25, 26, 27
18694 SERVICE KIT	ITEMS 9, 11, 14, 15

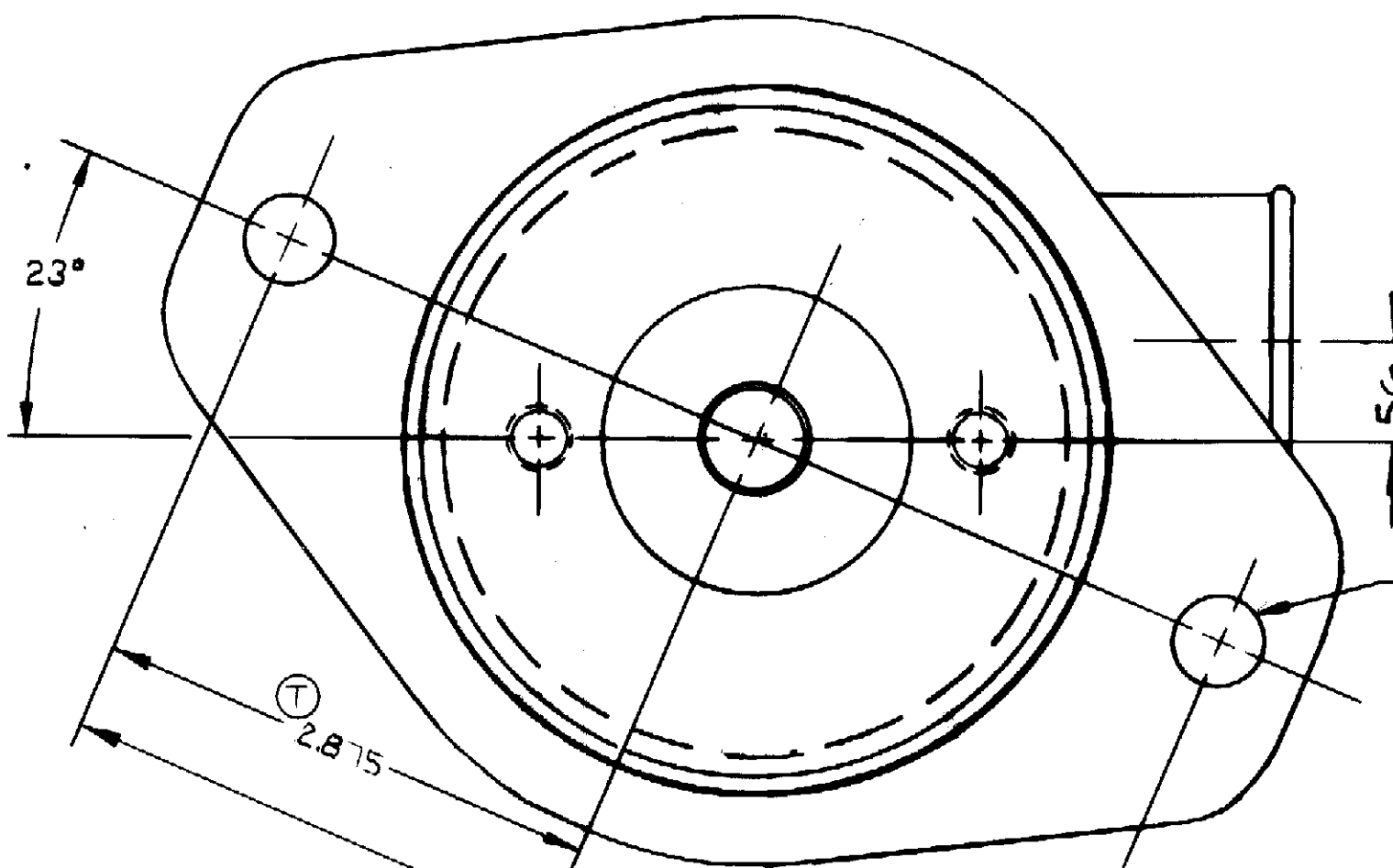
Ⓟ SHIPPING:
 11516 PALLET 1 REQ'D
 14120 TUBE CONTAINER 1 REQ'D
 14122 PADS 6 REQ'D
 18025 INSERTS 4 REQ'D
 25 PUMPS PER LAYER * 4 LAYERS
 = 100 PUMPS PER PALLET

UNIT PACKAGING:
 Nº17636 CARTON W 1 REQ'D
 12209 LABEL 1 REQ'D

GC1



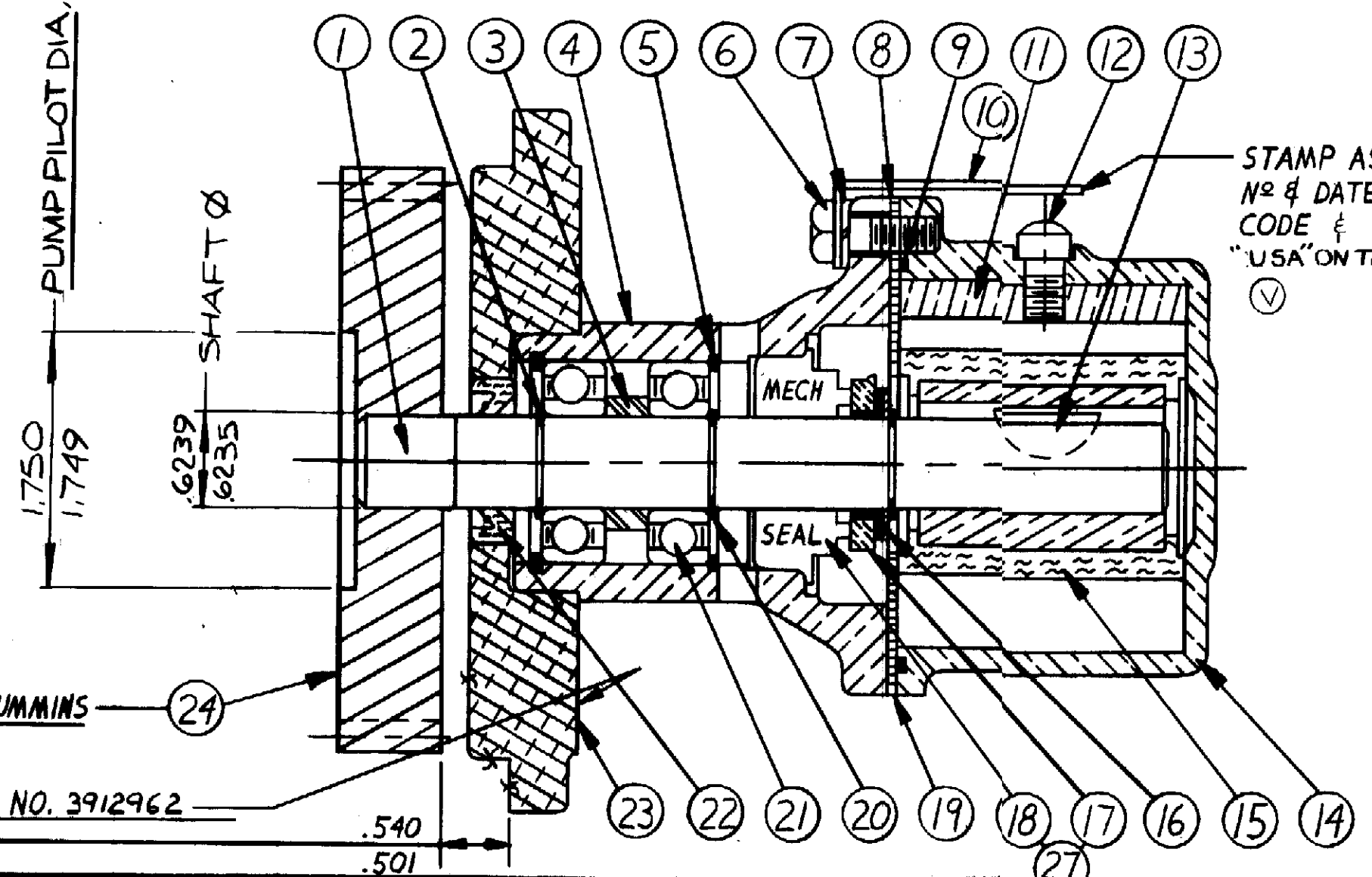
APPLY SMALL AMOUNT OF REMOVABLE "LOCTITE" Nº 242 (BLUE COLOR) TO TAPPED HOLES IN MOUNTING FLANGE BEFORE MOUNTING PUMP SUB ASSY
 Ⓣ TORQUE TO 15 FT-LB



FURNISHED BY CUMMINS

STAMP NO. 3912962

GEAR MUST BE PRESSED ON WITHIN THESE LIMITS EACH UNIT TO BE INSPECTED WITH GAGE



STAMP ASSY Nº & DATE CODE & "USA" ON TAG

CUMMINS # 3912962

REV.	DESCRIPTION	APPR	DATE
V	ADDED "USA" ON TAG	TLG	2-27-96
U	WAS .53 DIA.	KW	12-16-93
T	WAS 2.883	KW	12-16-93
S	WAS 5.767	KW	7-16-93
R	12859 WAS 12322	SH	1/5/90
Q	TORQUE SPEC ADDED	BAM	6/2/90
P	SHIPPING NOTES ADDED	SH	9/15/89
O	IMPELLER (ITEM 15) ADDED	KB	5-2-89
N	ADDED SERVICE KIT Nº 18694	ML	8-25-88
M	REDRAWN WITHOUT CHANGE	ML	8-25-88

UNLESS OTHERWISE SPECIFIED
 CAST DIMENSIONS ± .02
 FILLETS & RADII .06
 FINISH STOCK .07
 MACHINING TOLERANCE, INCHES
 XX ± .01, XXX ± .006
 SURFACE ROUGHNESS
 ANGLES ± 0° 30'
 CORNER BREAKS .01 MAX.

SHERWOOD
 A DIVISION OF HYPRO CORPORATION
 6331 E. JEFFERSON AVE. • DETROIT, MICHIGAN 48207

DRAWN	DATE	CHECKED	DATE	PROJ. NO.
SH	2/13/86	AVB	8/25/86	615

TITLE: RUBBER IMPELLER PUMP ASSY

MATERIAL: SEE DETAILS

DWG. NO.: GC1