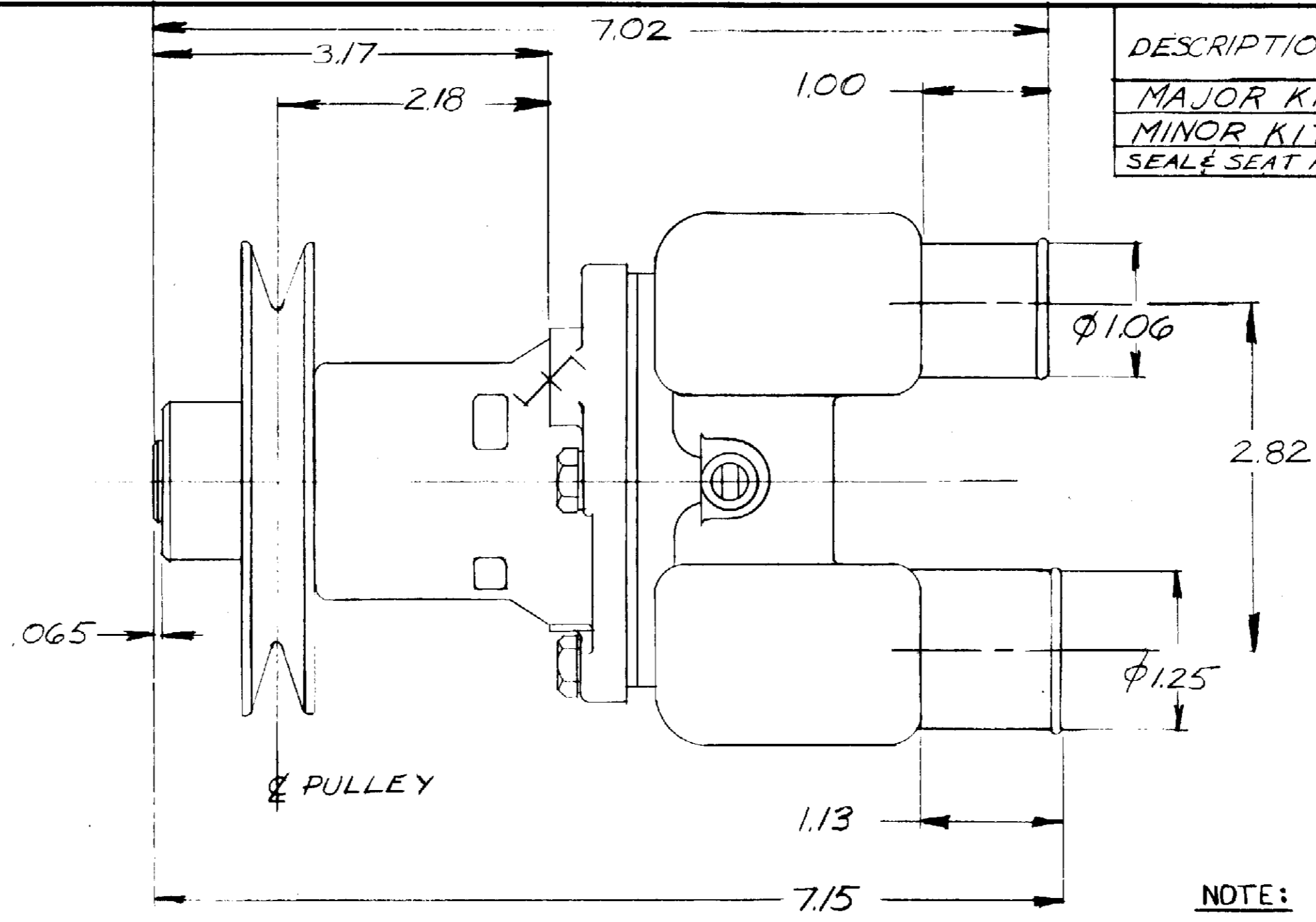


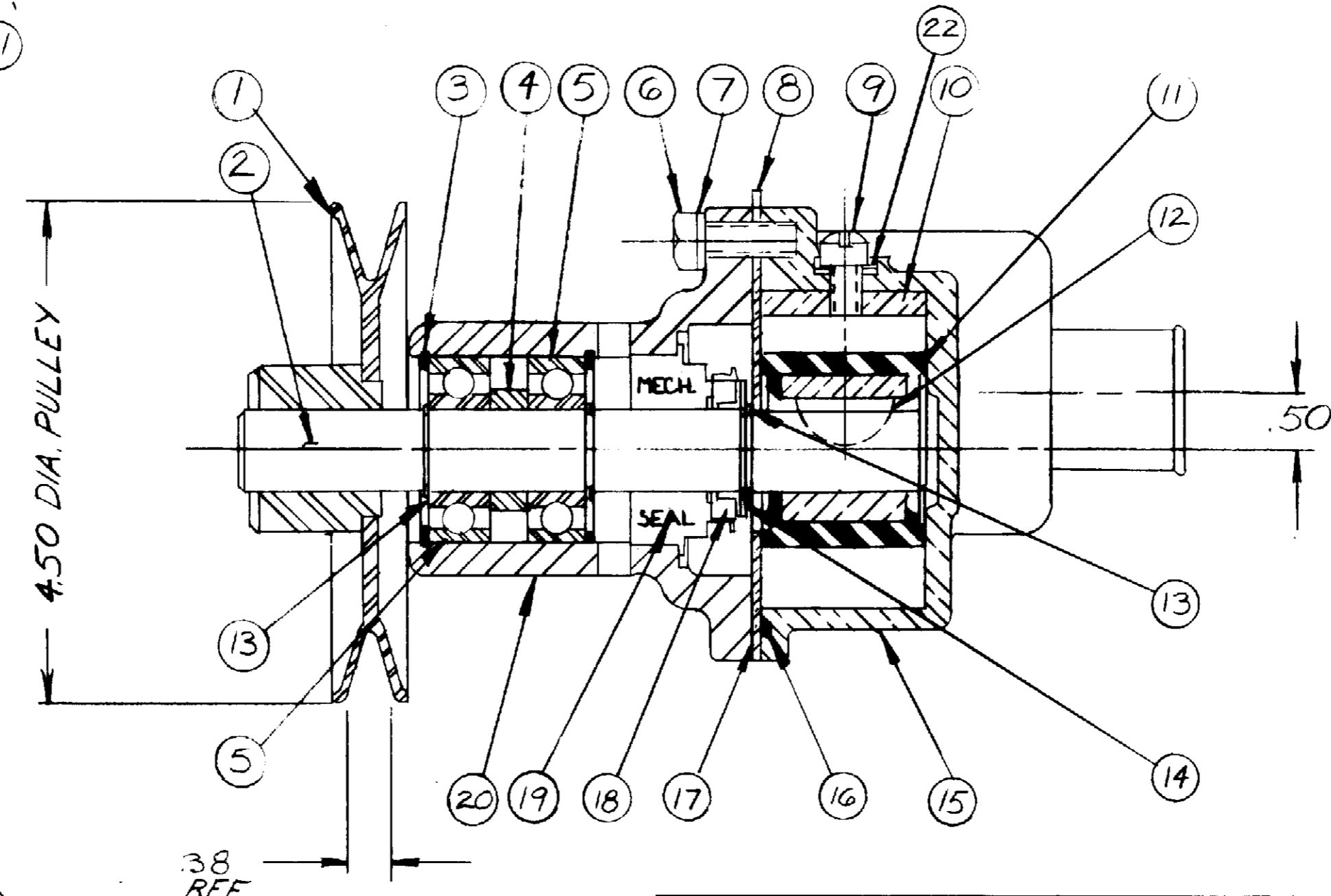
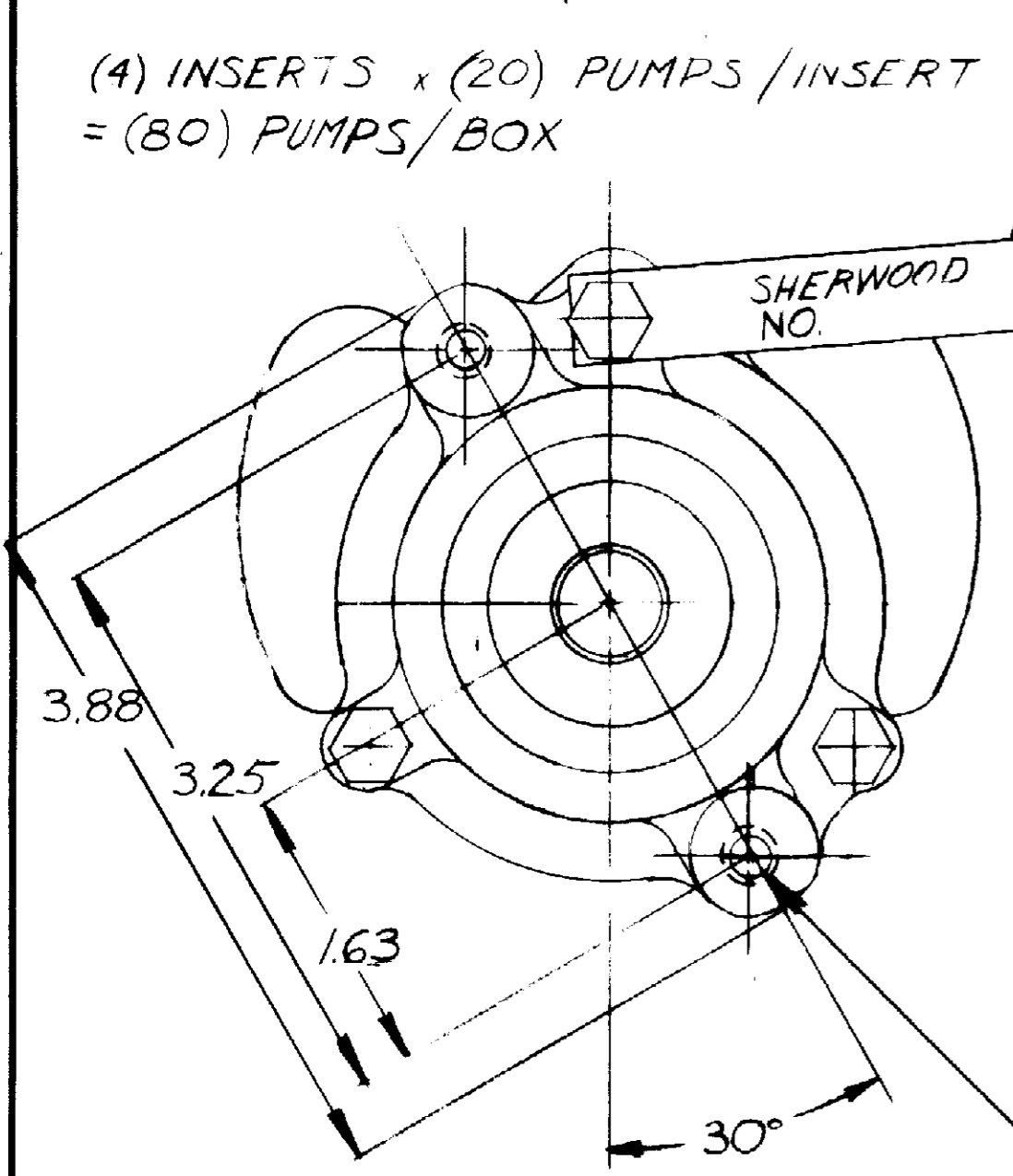
PARTS LIST			
ITEM	PART NO.	DESCRIPTION	REQD
1	21175	PULLEY ASS'Y	1
2	13363	SHAFT	1
3	4259	RETAINER RINGS	2
4	5133	SPACER	1
5	12211	BEARING	2
6	12857	SCREW	3
7	21757	LOCK WASHER	3
8	12856	END PLATE	1
9	19995	SCREW	1
10	15883	CAM (20)	1
11	9959	IMPELLER	1
12	4432	KEY DRIVE	1
13	4258	RETAINER RINGS	3
14	4264	THRUST WASHER	1
15	21151	HOUSING	1
16	12231	"O" RING	1
17	12855	GASKET	1
18	12256	SEAT ASS'Y	1
19	12314	SEAT ASS'Y	1
20	21759	BODY	1
21	13285	TAG-PART NUMBER	1
22	19996	WASHER	1
23	14120	TUBE CONTAINER	1
24	11516	PALLET	1
25	14122	PAD	6
26	21335	INSERT	4



DESCRIPTION	SERVICE KIT NO. & ASSEMBLY NO.	PROJ NO.
MAJOR KIT	12665	G9903
MINOR KIT	12399	
SEAL & SEAT ASSY	12859	

NOTE:  
1.) TORQUE BOLTS TO 5-7 FT.-LB.

(4) INSERTS x (20) PUMPS / INSERT  
= (80) PUMPS / BOX



2 x 3/8-16 UNC 2B THD THRU

OMC PART NO. 3855079

REV	DESCRIPTION	APPR	DATE

UNLESS OTHERWISE SPECIFIED  
 CAST DIMENSIONS + .02  
 FILLETS & RADI .06  
 FINISH STOCK .07  
 MACHINING TOLERANCE, INCHES  
 XX ± .01, XXX ± .005  
 SURFACE ROUGHNESS ✓  
 ANGLES ± 0° 30'  
 CORNER BREAKS .01 MAX.

□ FLATNESS .0015 IN/IN  
 ⊥ SQUARENESS .0015  
 ○ CONCENTRICITY .002  
 ○ ROUNDNESS .0005  
 ↗ RUNOUT .002

**SHERWOOD**  
 A DIVISION OF HYPRO CORPORATION  
 8331 E. JEFFERSON AVE. • DETROIT, MICHIGAN 48207

DRAFTSMAN	DATE	CHECKER	DATE	ASSY NO.
E.W.	5-31-94	TLG	5-31-94	

TITLE  
**RUBBER IMPELLER PUMP ASS'Y**

MATERIAL  
 SEE DETAILS

DWG NO.  
 G9903

SHERWOOD BLUEPRINT CO. 570482

PROJ NO.