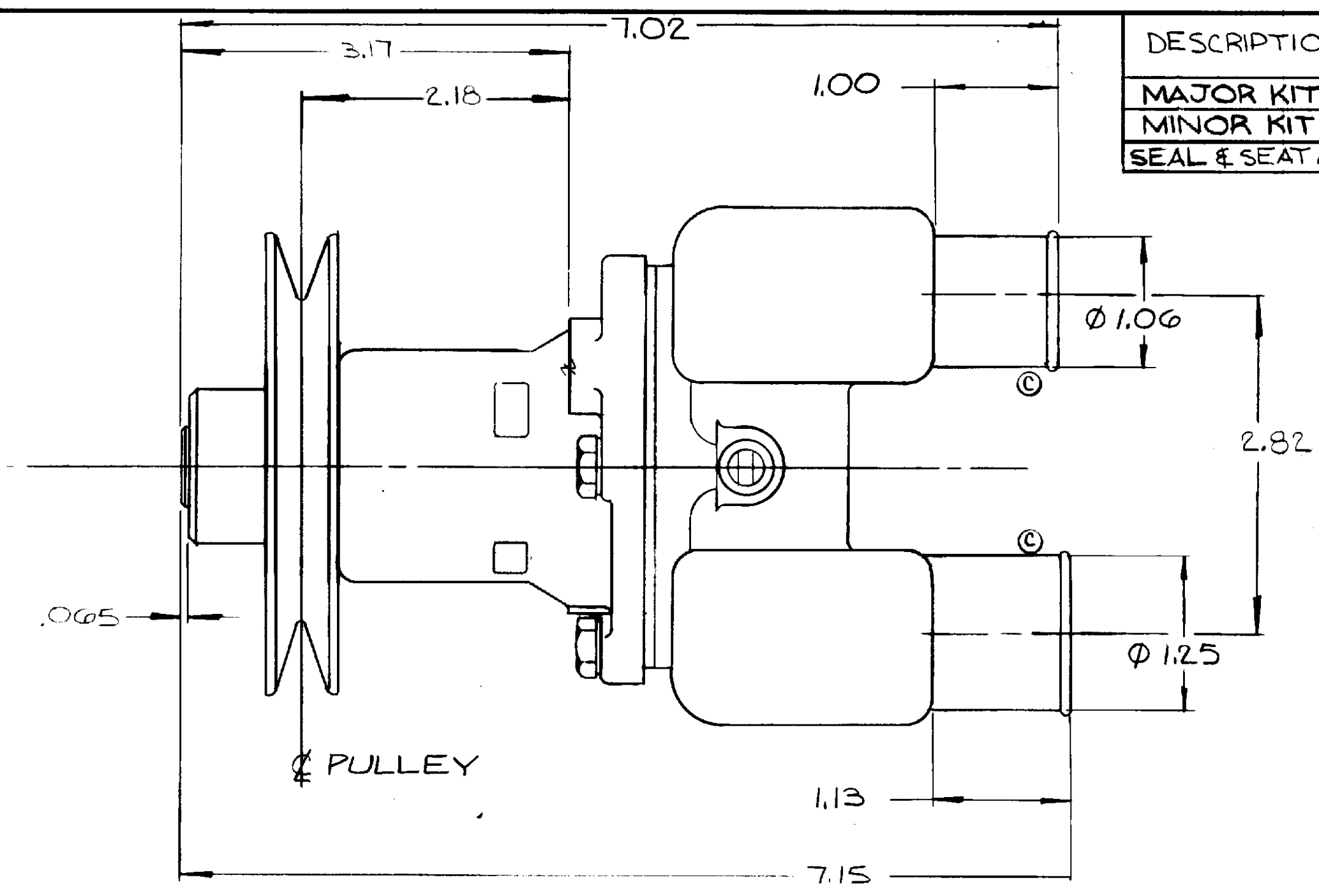


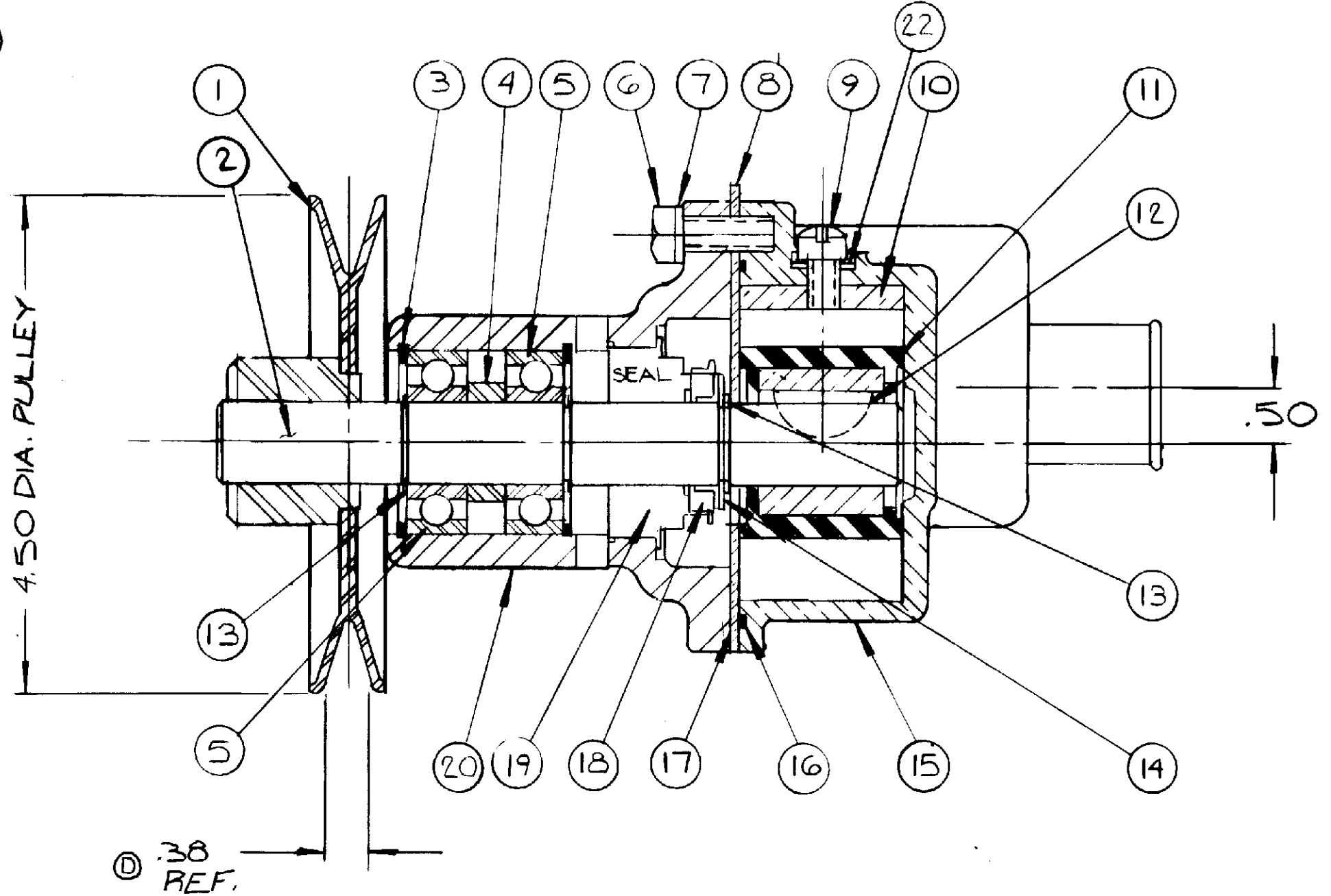
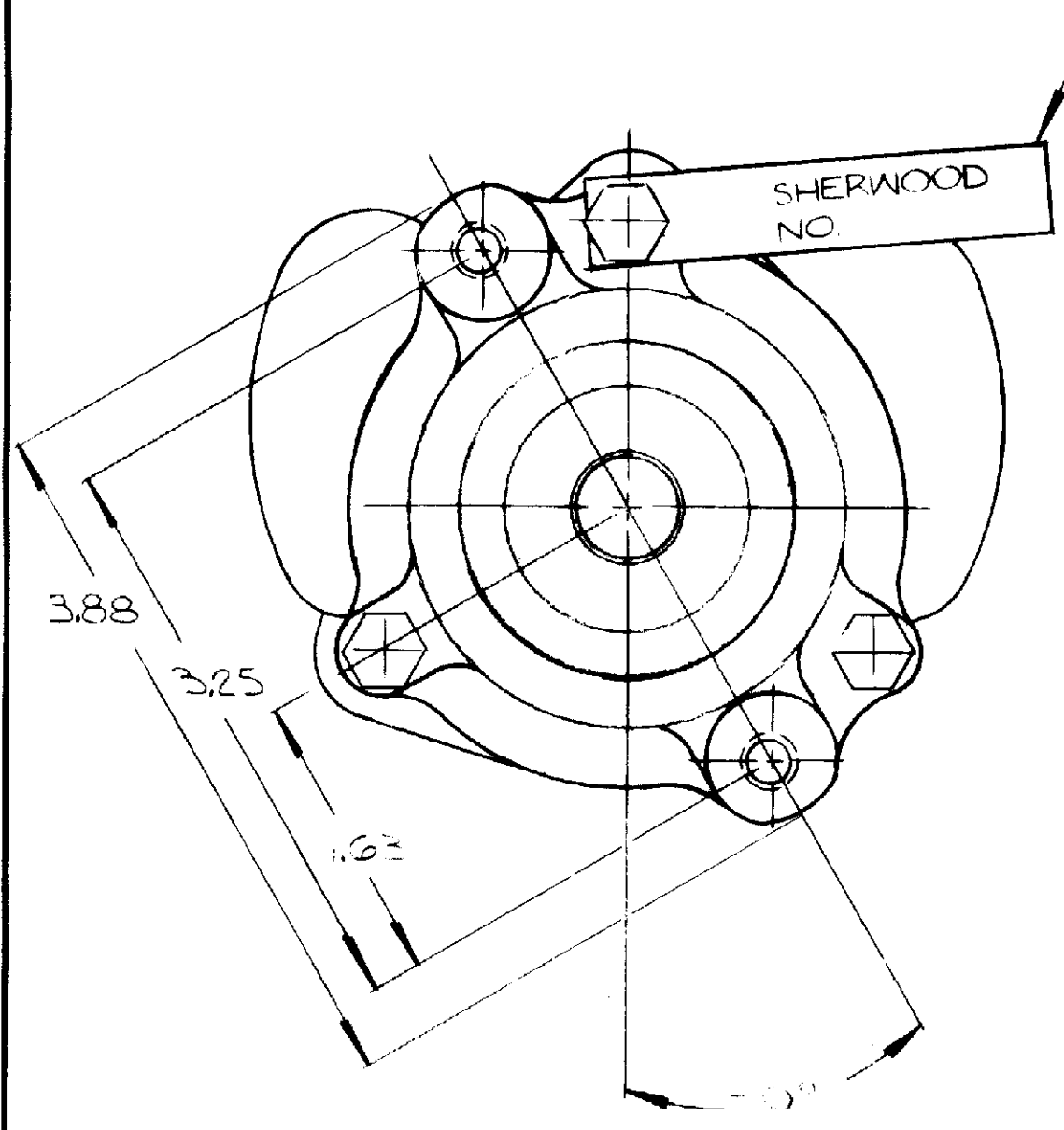
PARTS LIST			
ITEM	PART NO.	DESCRIPTION	REQ'D
1	21175	PULLEY ASS'Y	1
2	13363	SHAFT	1
3	4259	RETAINER RING	2
4	5133	SPACER	1
5	12211	BEARING	2
6	12857	SCREW	3
7	12710	LOCK WASHER	3
8	12856	END PLATE	1
9	19995	SCREW	1
10	15883	CAM (20)	1
11	9959	IMPELLER	1
12	4432	KEY DRIVE	1
13	4258	RETAINER RING	3
14	4264	THRUST WASHER	1
15	21151	HOUSING	1
16	12231	O'RING	1
17	12855	GASKET	1
18	12256	SEAT ASS'Y	1
19	12314	SEAL ASS'Y	1
20	21153	BODY	1
21	13285	TAG-PART NUMBER	1
22	19996	WASHER	1
23	14120	TUBE CONTAINER	1
24	11516	PALLET	1
25	14122	PAD	6
26	21335	INSERT	4

(A)  
E  
E  
E  
E



DESCRIPTION	SERVICE KIT N <sup>o</sup> & ASSEMBLY N <sup>o</sup>	G9902
MAJOR KIT	12665	
MINOR KIT	12399	
SEAL & SEAT ASS'Y	12859	

(4) INSERTS X (20) PUMPS / INSERT  
= (80) PUMPS / BOX



OMC PART N<sup>o</sup> 3852399 (F)

REV	DESCRIPTION	APPR	DATE
F	WAS N <sup>o</sup> 740037	KRS	6-78-98
E	ADDED BOXING	GM	3-29-98
D	WAS .36	KRS	3-10-98
C	REVERSED INLET & OUTLET	GM	3-10-98
B	REVISED INLET FROM 1" Ø PORTS TO 1.25" Ø	GM	2-3-93
A	WAS N <sup>o</sup> 21154	KRS	12-7-92

UNLESS OTHERWISE SPECIFIED  
 CAST DIMENSIONS + .02  
 FILLETS & RADII .06  
 FINISH STOCK .07  
 MACHINING TOLERANCE, INCHES  
 XX + .01, XXX + .005  
 SURFACE ROUGHNESS  
 ANGLES ± 0° 30'  
 CORNER BREAKS .01 MAX.

FLATNESS .0015 IN/IN  
 SQUARENESS .0015  
 CONCENTRICITY .002  
 ROUNDNESS .0005  
 RUNOUT .002

**SHERWOOD**  
 A DIVISION OF HYPRO CORPORATION  
 6331 E. JEFFERSON AVE. • DETROIT, MICHIGAN 48207

DRAFTSMAN	DATE	CHECKER	DATE	ASS'Y NO
GM	11-10-92	KRS	11-16-92	

TITLE  
**RUBBER IMPELLER PUMP ASS'Y**

MATERIAL  
 SEE DETAILS

DWG. NO  
 G9902

CUMMINS BLUEPRINT CO. 550321

PROJ. NO 1103