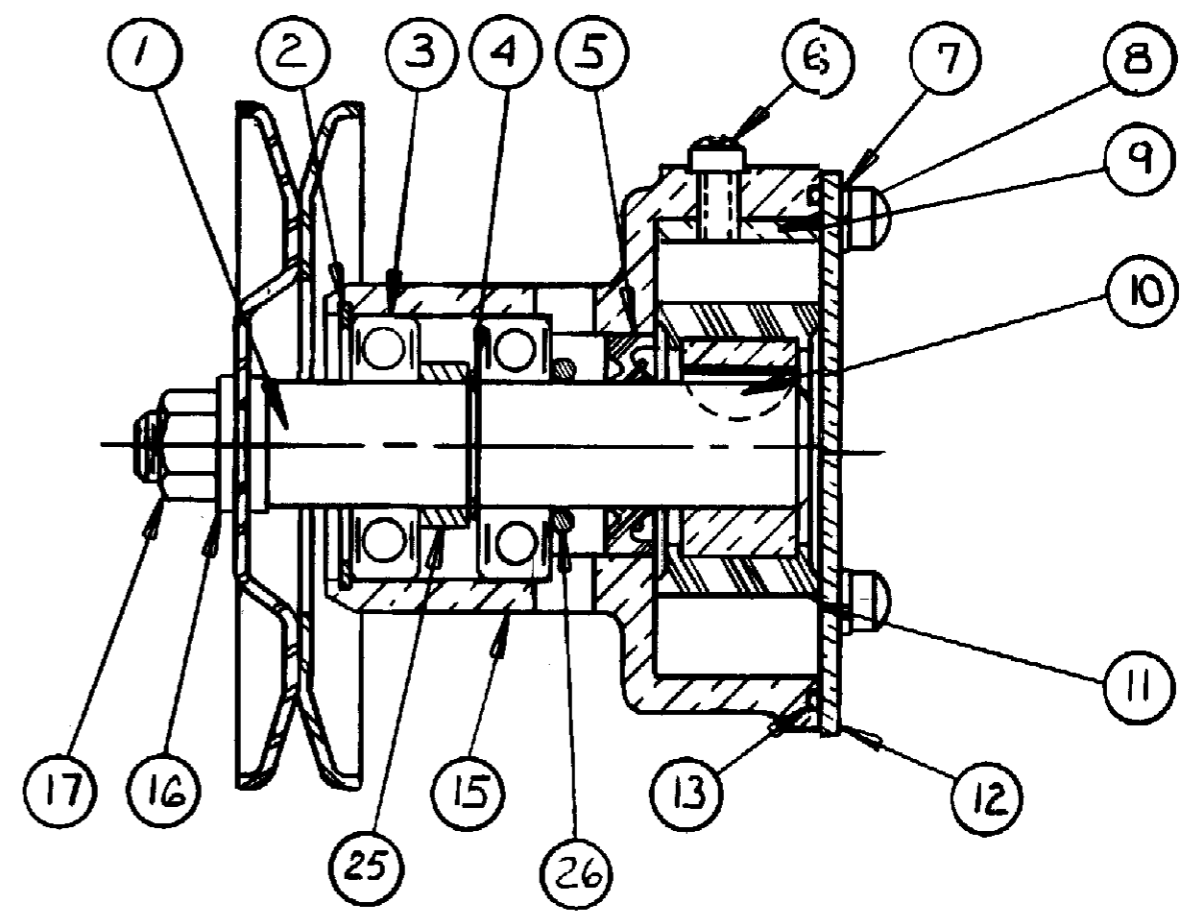
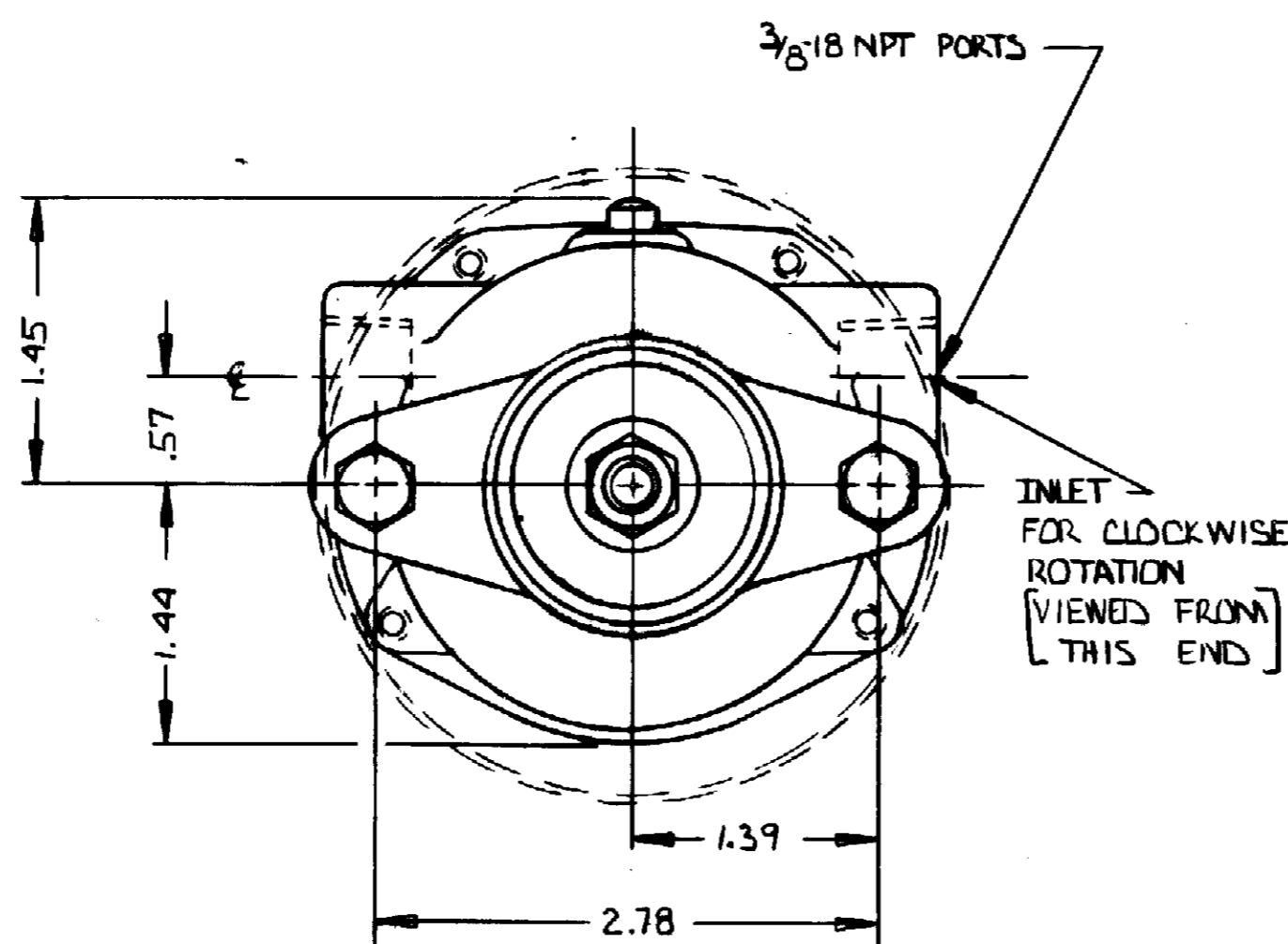
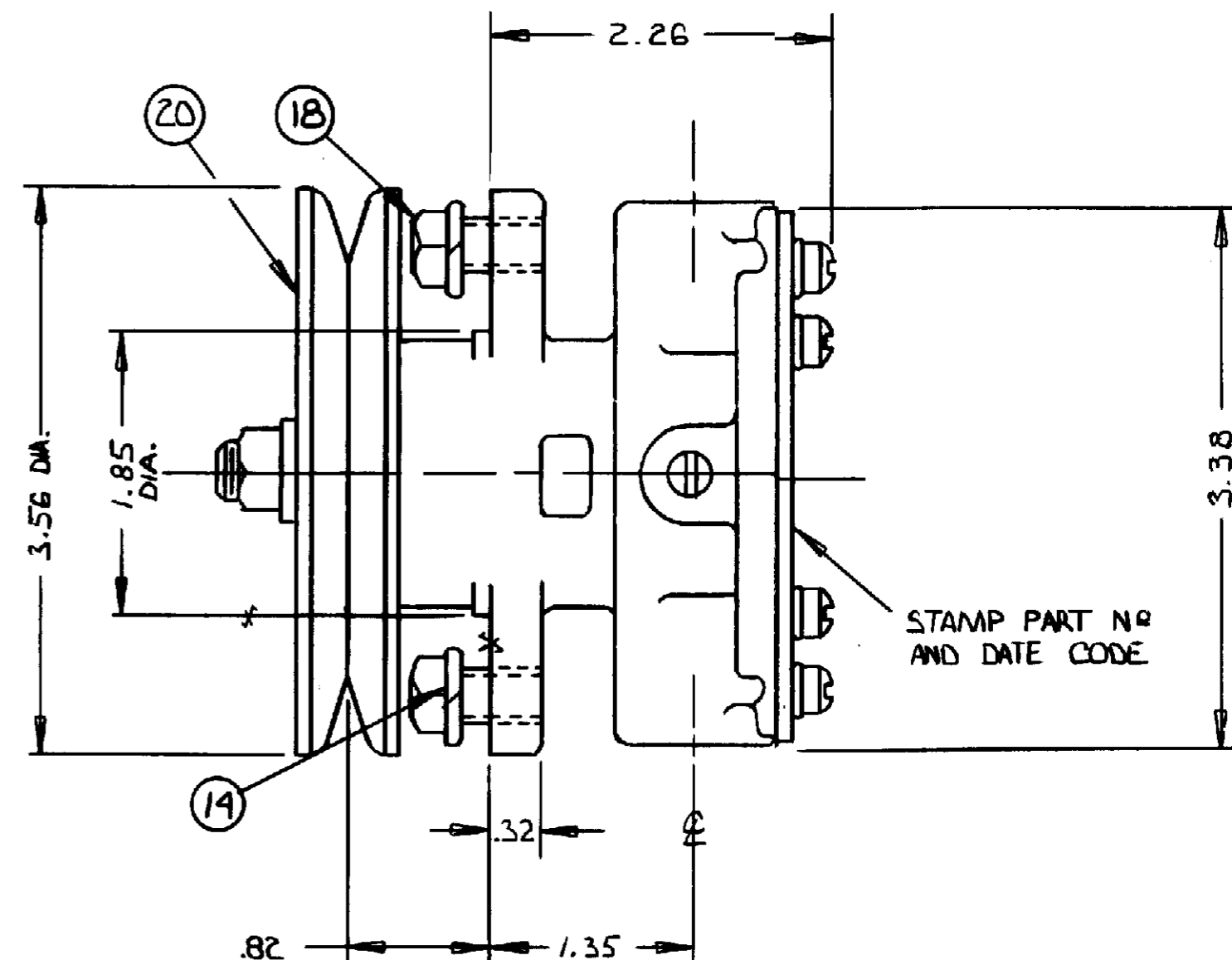


PARTS LIST

G906P

ITEM	PART NO	DESCRIPTION	REQ'D.
1	18569	SHAFT	1
2	4259	INT. RET. RING	1
3	12211	BALL BEARING	2
4	4258	EXT. RET. RING	1
5	18570	LIP SEAL	1
6	10195	CAM SCREW	1
7	343	*10 LOCKWASHER	4
8	12686	*10-24 SLOTTED MACHINE SCREW	4
9	18663	CAM	1
10	13777	NO 61 NON-ROK KEY	1
11	9000	RUBBER IMPELLER	1
12	19965	COVER	1
13	19964	O-RING	1
14	18574	5/16 LOCK WASHER	2
15	19963	HOUSING	1
16	18571	FLAT WASHER	2
17	18572	LOCKNUT - 5/16-20	1
18	18573	5/16 HEX. CAPSCREW	2
19	18449	PLASTIC PIPE PLUG	2
20	19967	PULLEY	1
21	17644	BOX	1
22	14474	JIFFY BAG #3	1
23	12209	LABEL	1
24	21474	SERVICE KIT	1
25	10254	SPACER	1
26	6602	O-RING	1

(A)
(A)
(A)
(B)
(C)
(D)



NOTES:

- 1) APPLY PERMATEx FORM-A GASKET No 1 (HARD SETTING) SEALANT TO THREADS AND BASE OF HEAD OF ITEM No 6 PRIOR TO INSTALLATION.
- 2) TIGHTEN DETAIL No 17 TO 15-17 Ft-lbs (180-204 in-lbs) OF TORQUE DURING INSTALLATION.

UNLESS OTHERWISE SPECIFIED		SHERWOOD A DIVISION OF HYPRO CORPORATION 6331 E. JEFFERSON AVE. • DETROIT, MICHIGAN 48207	
CAST DIMENSIONS ± .02	FILLET & RADII .06	DRAFTSMAN	DATE
FINISH STOCK .07	MACHINING TOLERANCE, INCHES	KRS	5-22-92
XX ± .01, XXX ± .005	SURFACE ROUGHNESS	CHECKER	DATE
ANGLES ± 0° 30'	CORNER BREAKS .01 MAX.	BAM	5-23-92
D ADDED O-RING C ADDED SPACER B ADDED SERVICE KIT A ADDED BOXING MAT'L.		TITLE RUBBER IMPELLER PUMP	
MATERIAL SEE DETAILS		DWG. NO. G906P	
□ FLATNESS .0015 IN/IN ⊥ SQUARENESS .0015 ○ CONCENTRICITY .002 ○ ROUNDNESS .0005 ↗ RUNOUT .002	D TLG 12-19-91 C TLG 1-14-92 B DA 7-21-93 A KRS 5-12-92	APPR DATE	

SUNYER BLUEPRINT CO. 560721

PROJ. NO. 1086