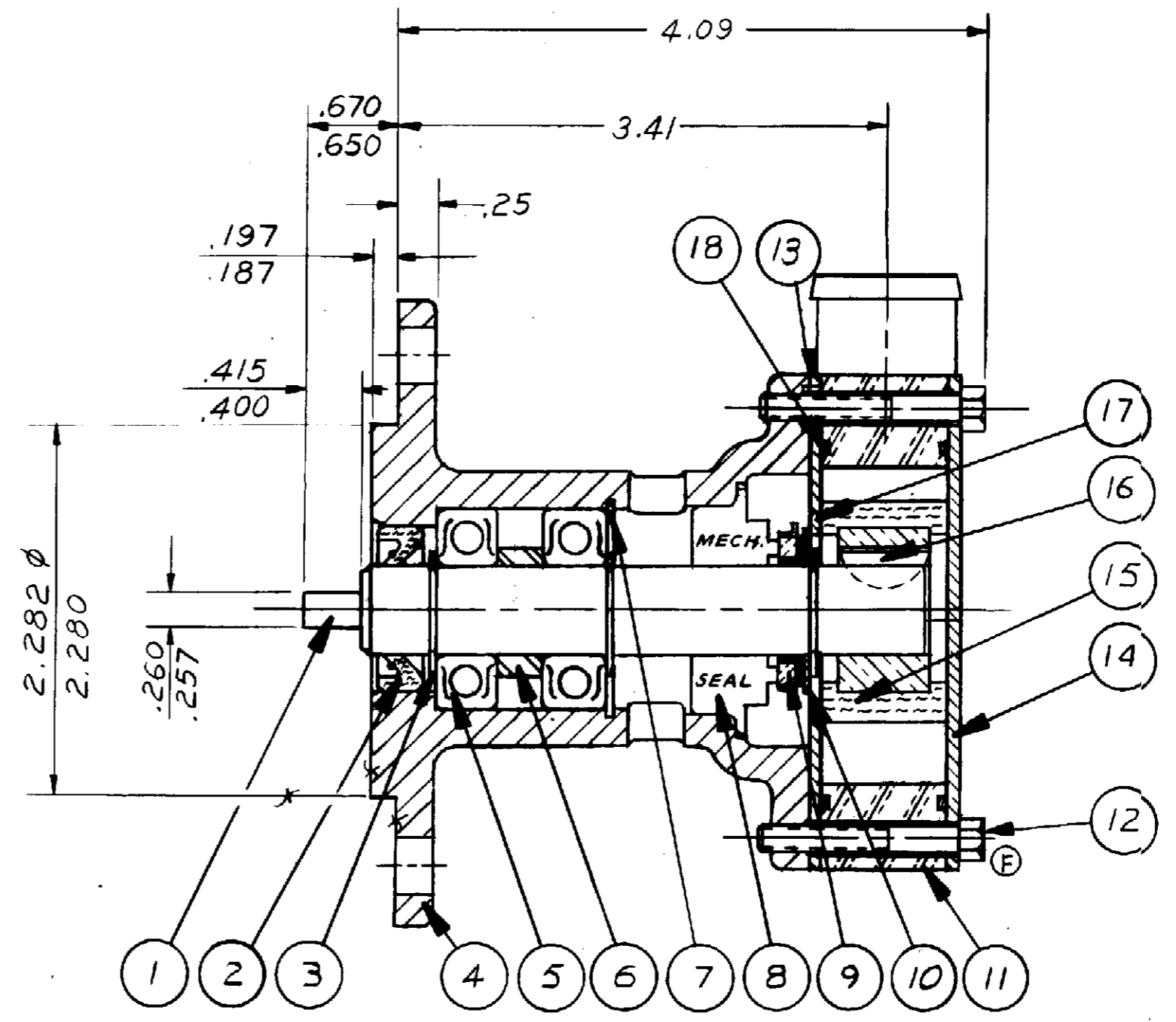
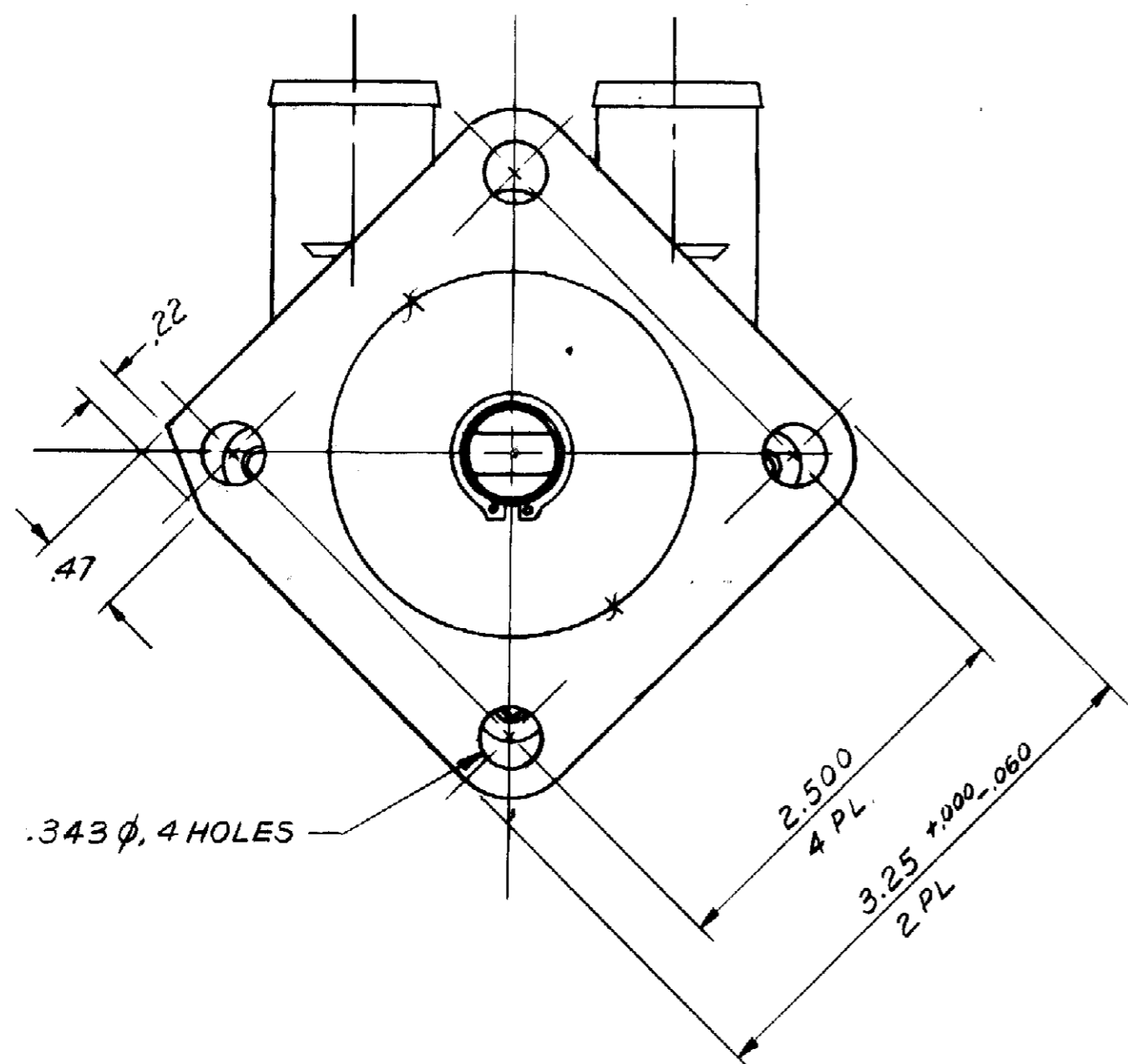
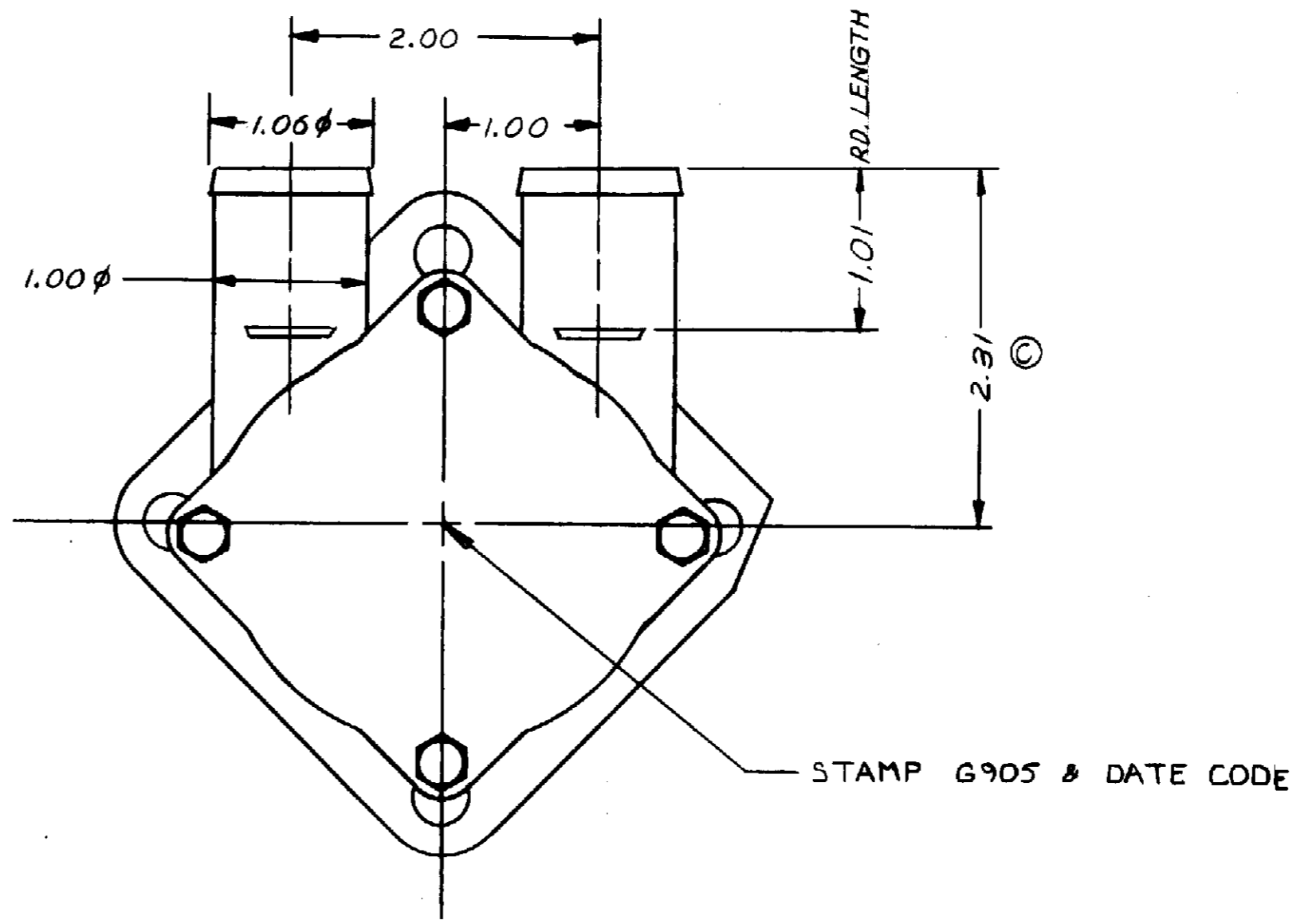


PARTS LIST

ITEM	DESCRIPTION	PART N <sup>o</sup>	QTY.
1	SHAFT	19252	1
2	LIP SEAL	18570	1
3	EXT. RETAINING RING	4258	3
4	BODY	19253	1
5	BALL BEARING	12211	2
6	SPACER	5133	1
7	INT. RETAINING RING	4259	1
8	MECHANICAL SEAL	12314	1
9	SEAT-SEAL	12256	1
10	WASHER	4264	1
11	HOUSING	19201	1
12	FILL.HD. CAPSCREW	19256	4
13	GASKET	19257	1
14	COVER PLATE	19255	1
15	IMPELLER	9000	1
16	KEY	18576	1
17	END PLATE	19254	1
18	O-RING GASKET	19964	2



REV.	DESCRIPTION	APP.	DATE
F	CORRECTED FRONT VIEW OF DET. #12		
E	WAS 10514	TLG	6/24/92
D	WAS No 19274	KRS	6/22/92
C	2.31 PORT HEIGHT WAS 2.06	AVB	6/28/92
B	O-RING GASKET NO 19274 CHANGED	AVB	9/16/92
A	ASSEMBLY REVISED	KB	9/8/90

UNLESS OTHERWISE SPECIFIED  
 CAST DIMENSIONS ± .02  
 FILLETS & RADI .05  
 FINISH STOCK .07  
 MACHINING TOLERANCE, INCHES  
 XX ± .01, XXI ± .005  
 SURFACE ROUGHNESS  
 ANGLES ± 0° 30'  
 CORNER BREAKS .01 MAX.

**SHERWOOD**  
 A DIVISION OF HYPRO CORPORATION  
 6331 E. JEFFERSON AVE. - DETROIT, MICHIGAN 48207

DATE: 12/27/89  
 TITLE: RUBBER IMPELLER PUMP ASSEMBLY  
 DWN. NO.: G905