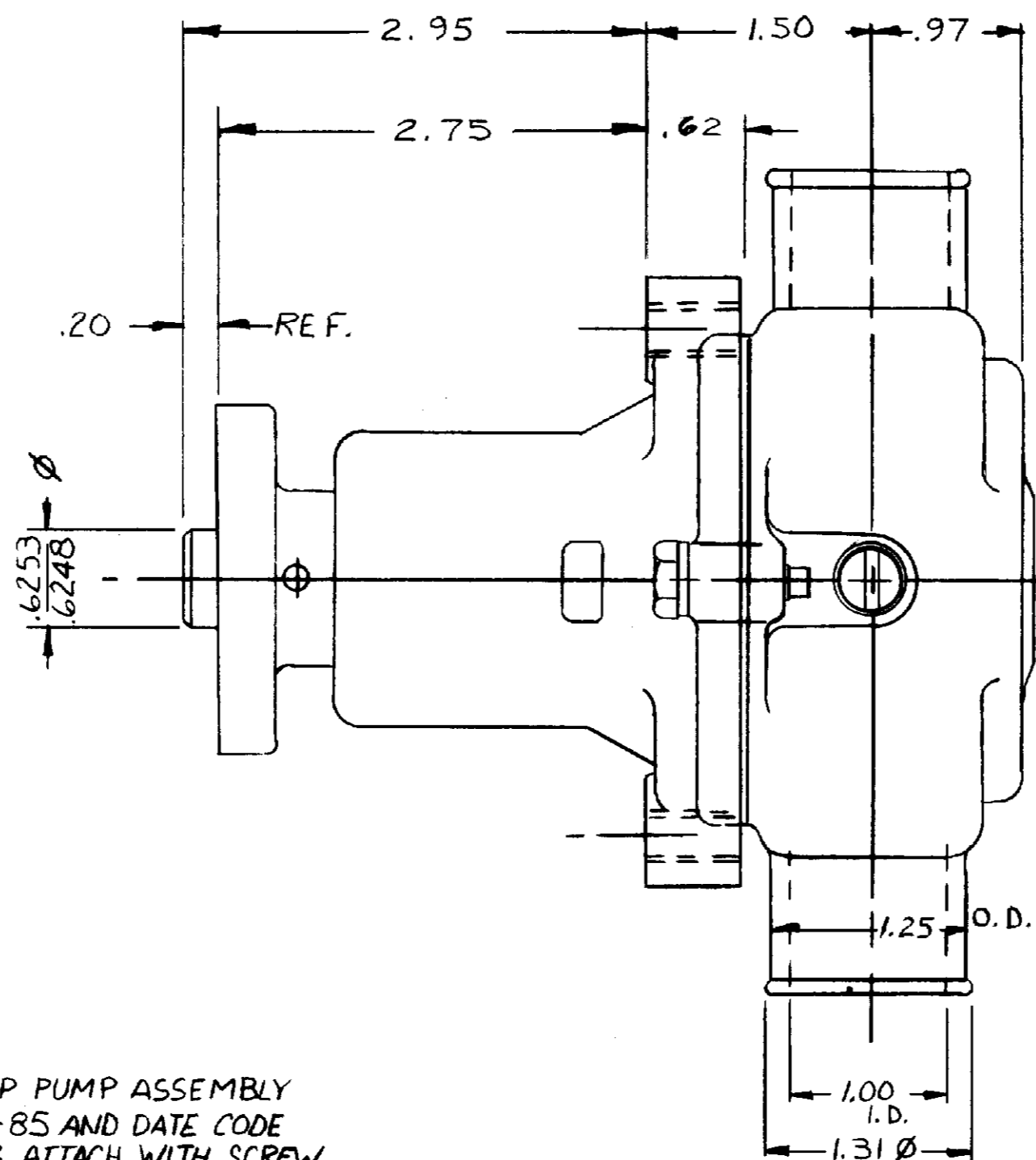


PARTS LIST

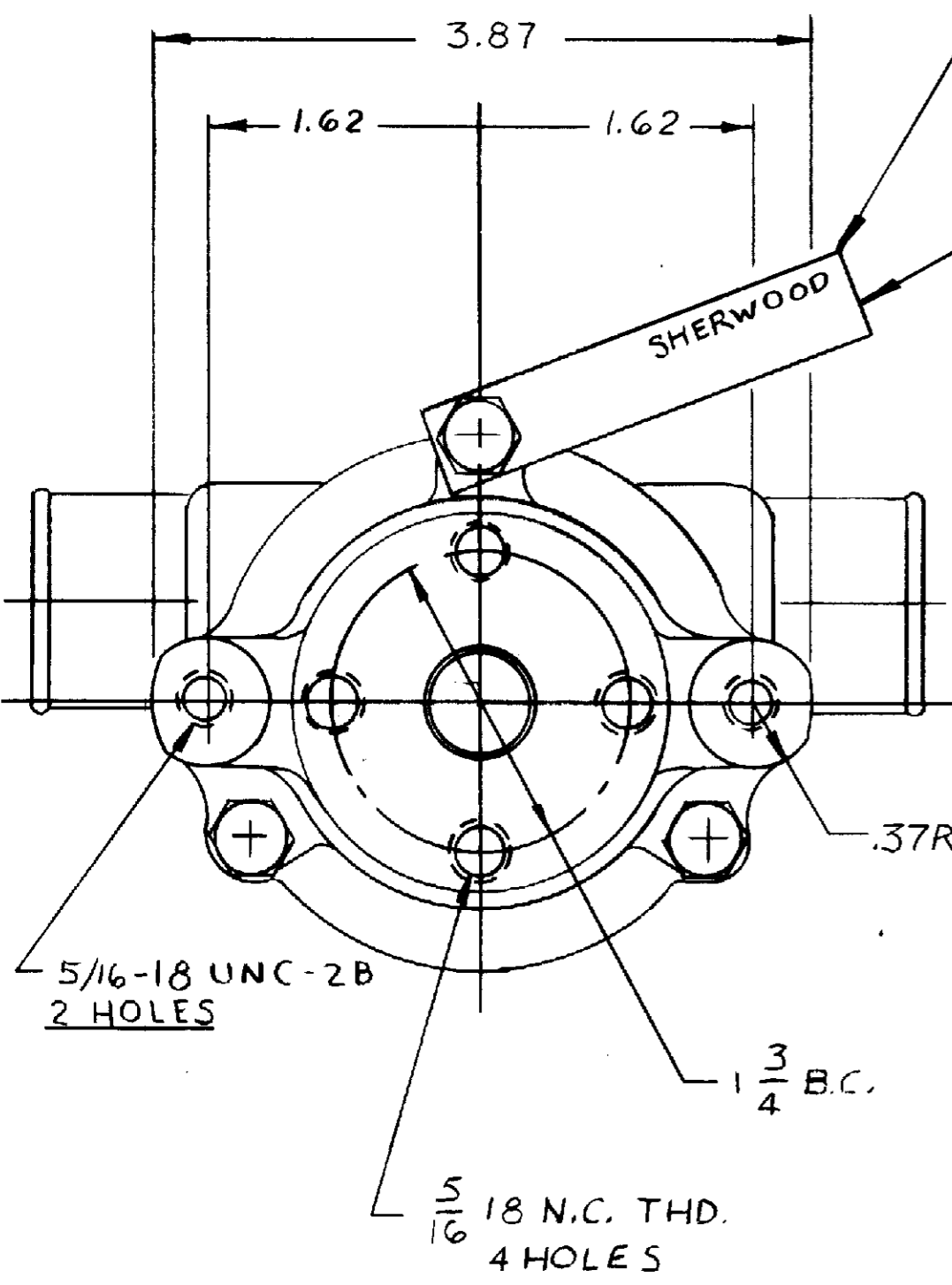
| ITEM | PART NO | DESCRIPTION | REQ'D |
|------|---------|-----------------|-------|
| 1 | 12228 | HOUSING | 1 |
| 2 | 12231 | "O" RING GASKET | 1 |
| 3 | 10515 | SCREW | 1 |
| 4 | 10944 | CAM | 1 |
| 5 | 4432 | DRIVE KEY | 1 |
| 6 | 10615 | IMPELLER | 1 |
| 7 | 4258 | RET. RING | 3 |
| 8 | 12314 | MECH SEAL | 1 |
| 9 | 12256 | SEAL SEAT | 1 |
| 10 | 4264 | THRUST WASHER | 1 |
| 11 | 12856 | END PLATE | 1 |
| 12 | 12328 | BODY | 1 |
| 13 | 12857 | CAPSCREW | 3 |
| 14 | 12710 | LOCKWASHER | 3 |
| 15 | 4259 | RET. RING | 2 |
| 16 | 12596 | SHAFT | 1 |
| 17 | 12211 | BALL BRG. | 2 |
| 18 | 5133 | SPACER-BRG | 1 |
| 19 | 9420 | PIN | 1 |
| 20 | 10769 | SHEAVE BRACKET | 1 |
| 21 | 12855 | GASKET | 1 |
| 22 | 13285 | TAG | 1 |
| 23 | | | |

G-85

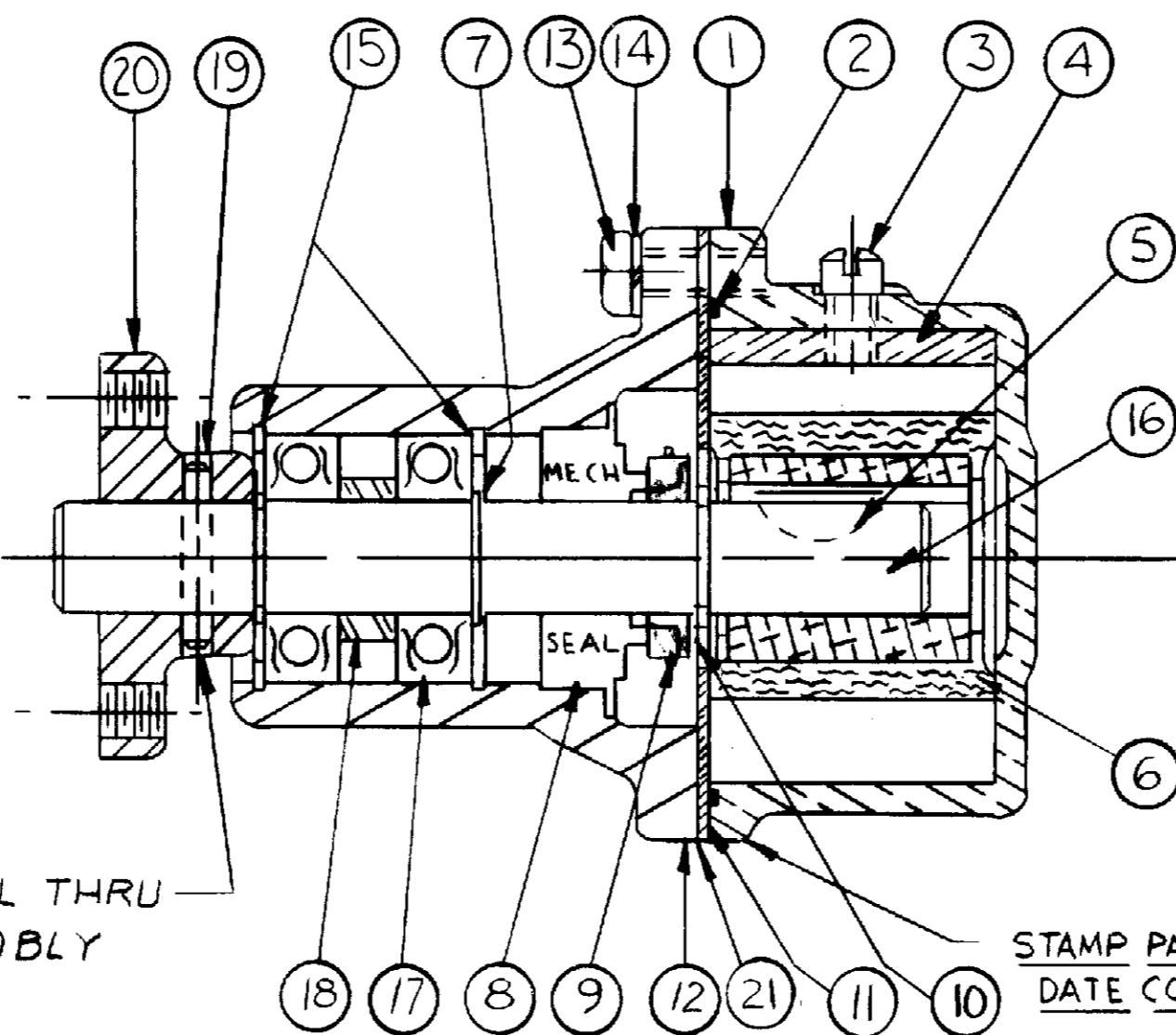
| SERVICE ASS'Y NO | COMPONENT ITEMS |
|------------------------------|-----------------|
| ① SEAL & SEAT ASS'Y NO 12859 | 8 & 9 |
| MINOR SERVICE KIT NO 12394 | |
| MAJOR REPAIR KIT NO. 12794 | |



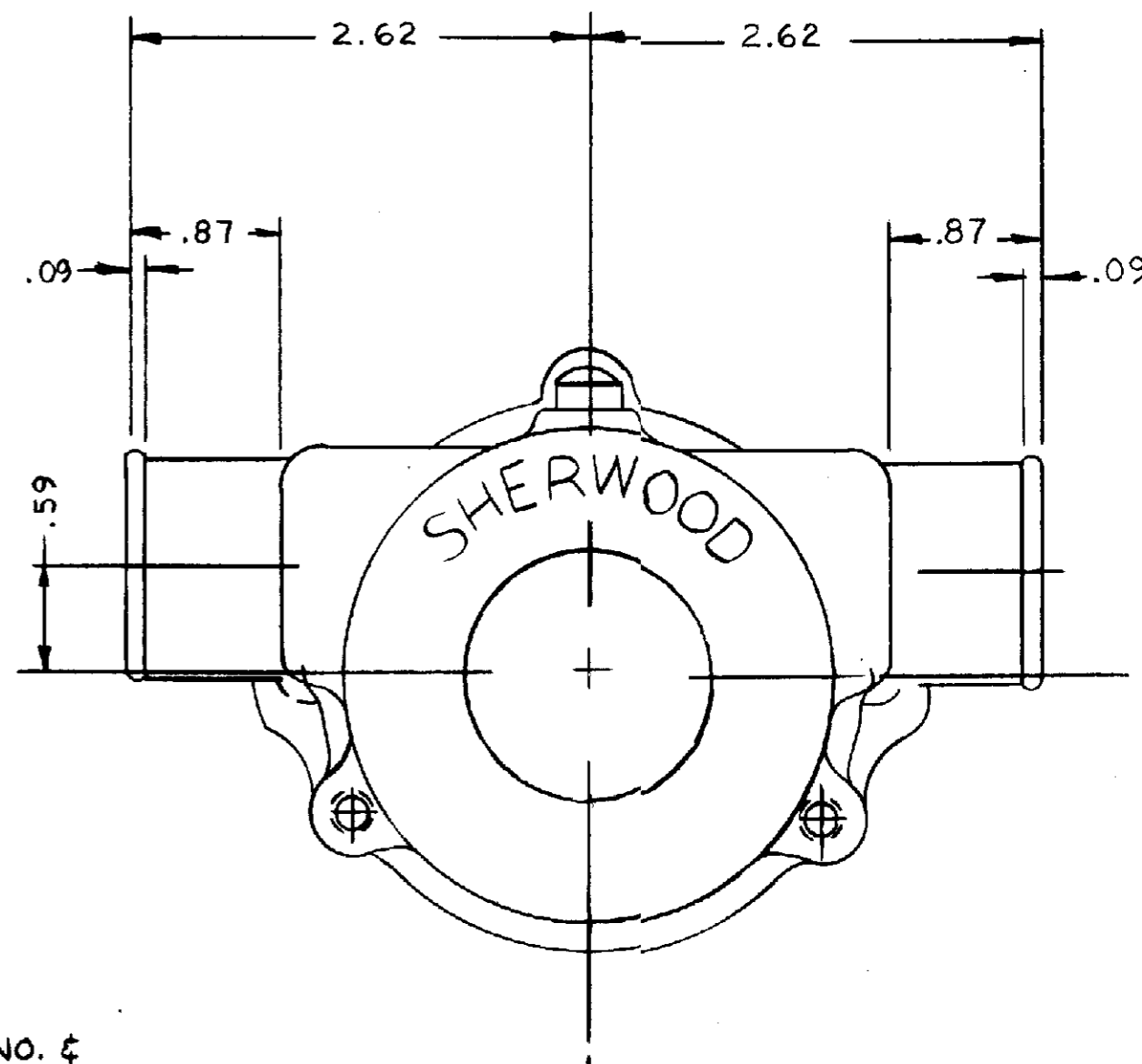
PACKAGING:
 NO 17659 BOX 1 REQ'D
 17653 JIFFY BAG 1 REQ'D
 12209 LABEL 1 REQ'D



STAMP PUMP ASSEMBLY NO. G-85 AND DATE CODE ON TAG. ATTACH WITH SCREW.



STAMP PART NO. & DATE CODE HERE



ESCORT # DSMZ 8502

FLOW CURVE # 71036R

| REV | DESCRIPTION | APPR | DATE |
|-----|-----------------|------|---------|
| D | 12859 WAS 12322 | SH | 7/5/80 |
| C | 17659 WAS 17859 | SH | 9/13/84 |
| B | LDGD REVISED | SH | 10-1-86 |
| A | REDRAWN | KB | 8-26 |

UNLESS OTHERWISE SPECIFIED
 CAST DIMENSIONS ± .02
 FILLETS & RADII .06
 FINISH STOCK .07
 MACHINING TOLERANCE, INCHES
 XX ± .01, XXX ± .005
 SURFACE ROUGHNESS
 ANGLES ± 0° 30'
 CORNER BREAKS .01 MAX.
 || PARALLISM .001
 ▭ FLATNESS .001
 ⊥ SQUARNESS .001
 ⊙ CONCENTRICITY .001
 ○ ROUNDNESS .0002
 ↻ RUNOUT .001

SHERWOOD
 A DIVISION OF HYPRO CORPORATION
 6331 E. JEFFERSON AVE. - DETROIT, MICHIGAN 48207

| | | | | |
|-----------|--------|---------|------|----------|
| DRAFTSMAN | DATE | CHECKER | DATE | ASSY NO. |
| KB | 8-5-86 | | | |

TITLE
PUMP ASSEMBLY

MATERIAL
 SEE DETAILS

DWG. NO.
G-85