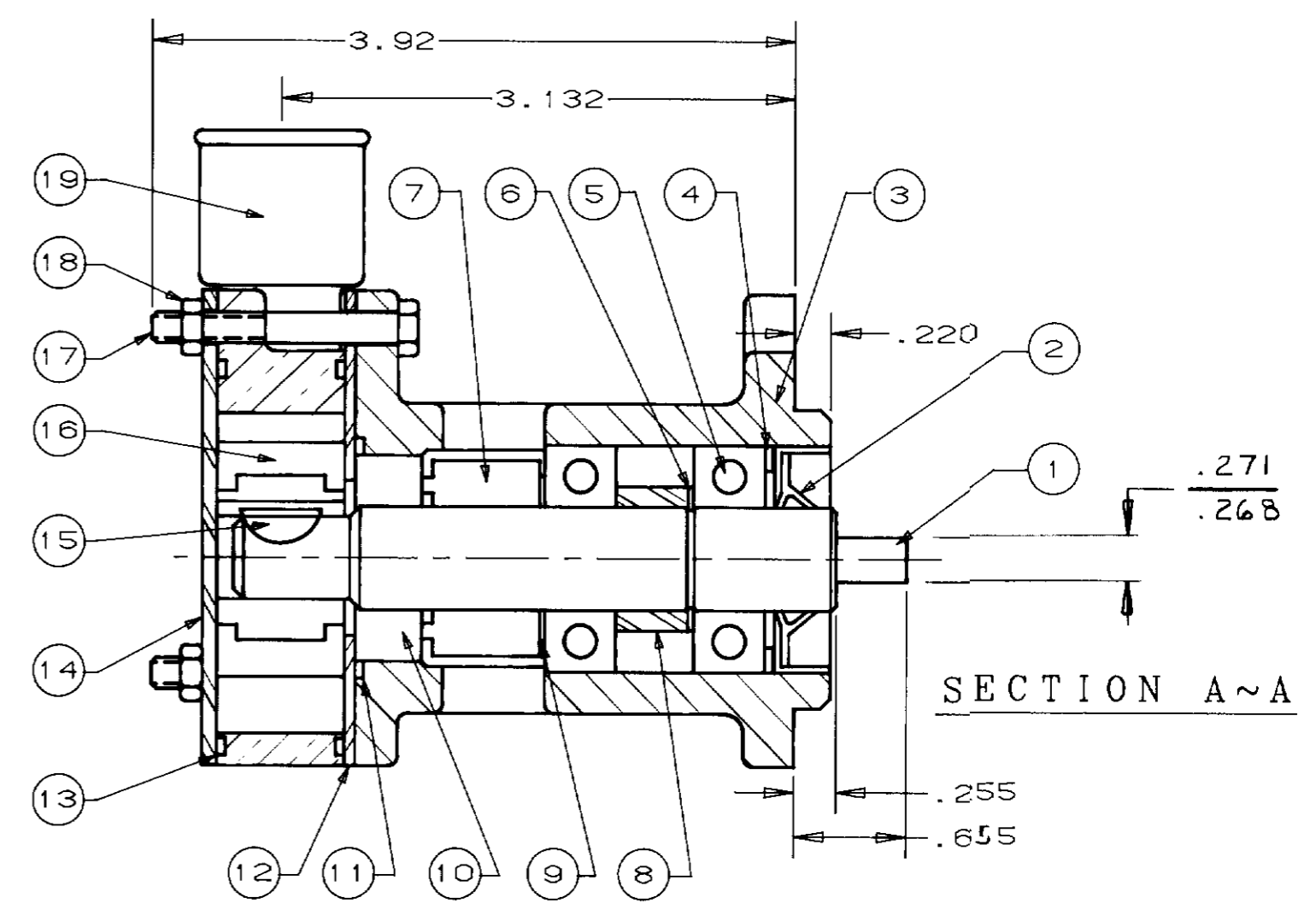
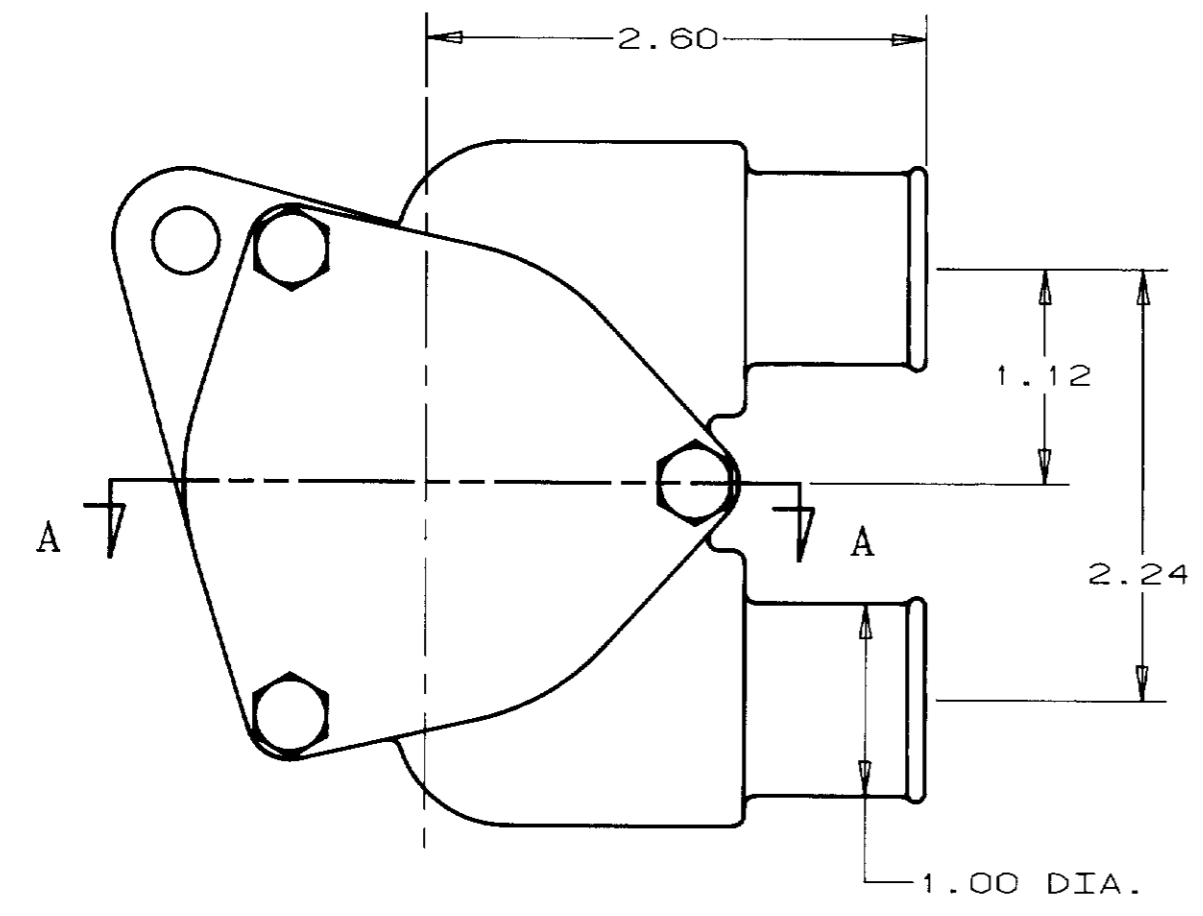
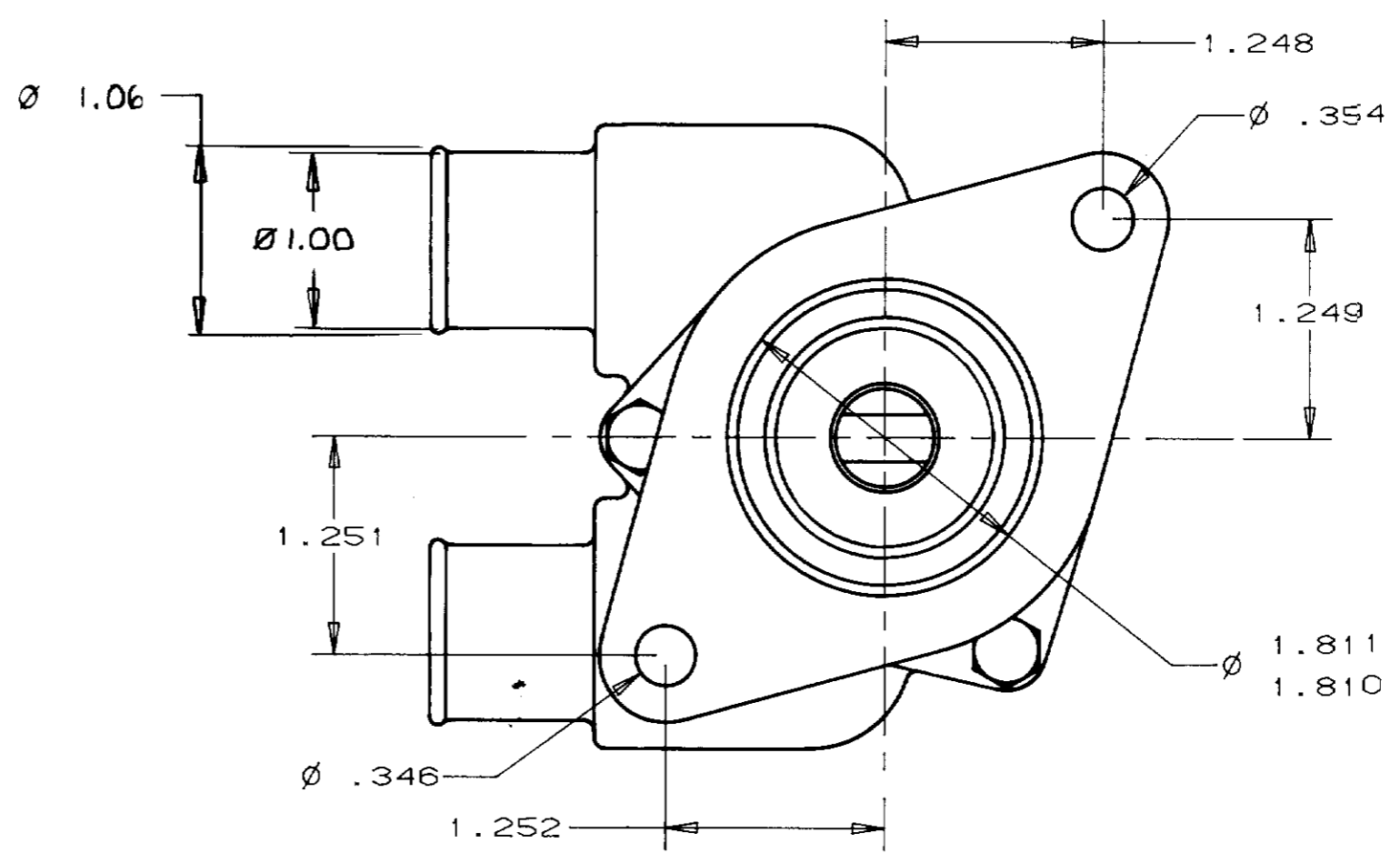


PARTS LIST			
ITEM	PART #	DESCRIPTION	QTY
1	22769	SHAFT	1
2	21751	LIP SEAL	1
3	22685	BODY	1
4	4259	INT. RET. RING	1
5	12211	BALL BEARING	2
6	4258	EXT. RET. RING	1
7	18035	MECHANICAL SEAL	1
8	21974	SPACER	1
9	4264	WASHER	1
10	10389	SEAL SEAT	1
11	21303	O-RING	1
12	22768	WEAR PLATE	1
13	22770	O-RING	2
14	22767	COVER PLATE	1
15	10093	KEY	1
16	10077	IMPELLER	1
17	19256	BOLT	3
18	22775	NUT	3
19	22688	HOUSING	1
20	22783	MINOR SERVICE KIT	SERV
21	22784	MAJOR SERVICE KIT	SERV
22			
23			
24			
25			
26			
27			
28			
29			



UNLESS OTHERWISE SPECIFIED CAST DIMENSIONS ± .02 FILLETS & RADII .06 FINISH STOCK .07 MACHINING TOLERANCE, INCHES XX ± .01, XXX ± .005 SURFACE ROUGHNESS ✓ ANGLES ± 0° 30' CORNER BREAKS .01 MAX.		<b>SHERWOOD</b> A DIVISION OF HYPRO CORPORATION 6331 E. JEFFERSON AVE. • DETROIT, MICHIGAN 48207	
DRAFTSMAN: TLG DATE: 8-12-96 CHECKER: [ ] DATE: [ ] ASSY NO: [ ]		TITLE: <b>RUBBER IMPELLER PUMP</b>	
MATERIAL: SEE DETAILS		DWG NO: G701	
A REVISED DIMENSIONS		APPR: TLG 10-25-96 DATE:	
REV	DESCRIPTION	APPR	DATE

PROJ NO 1237