

PARTS LIST

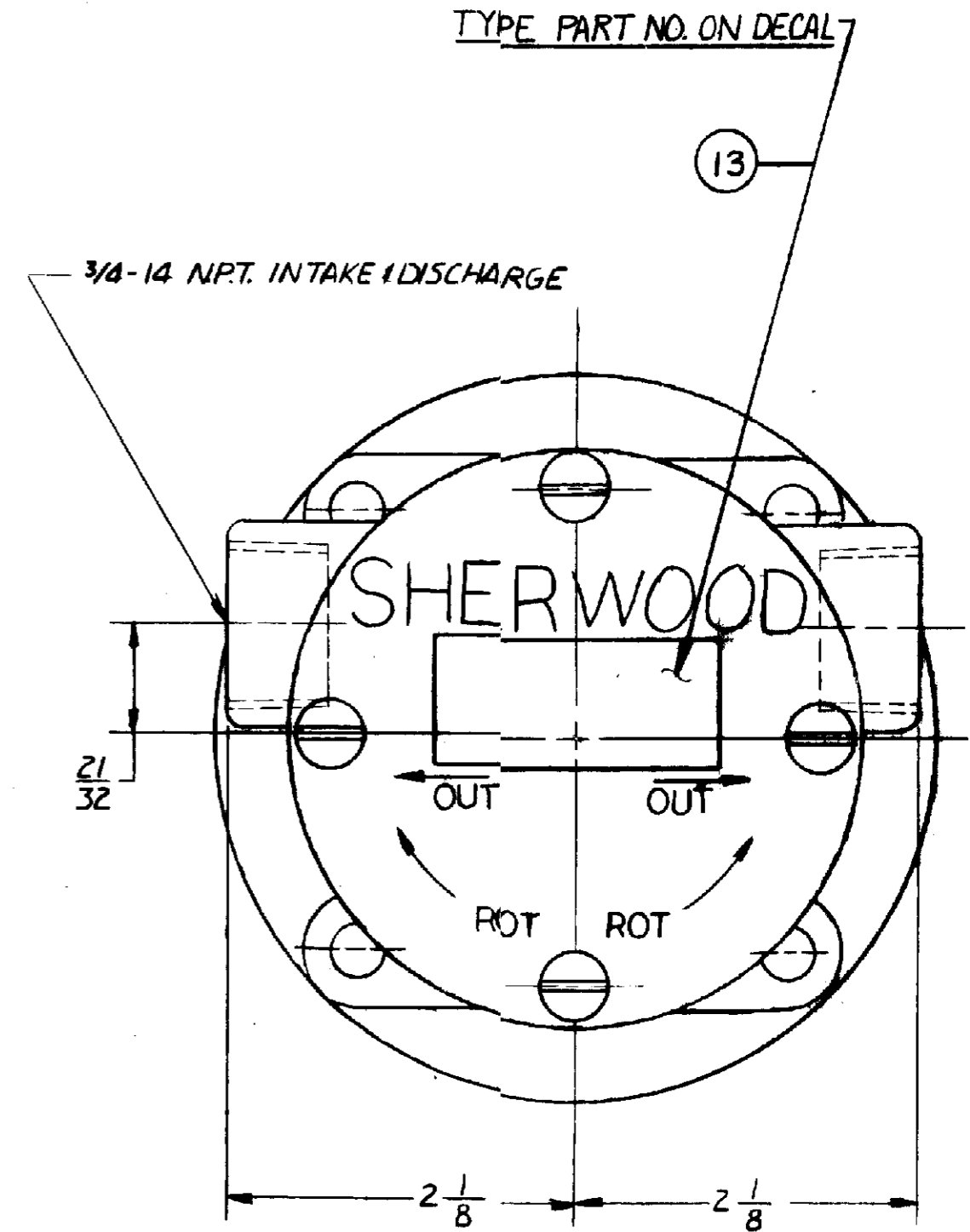
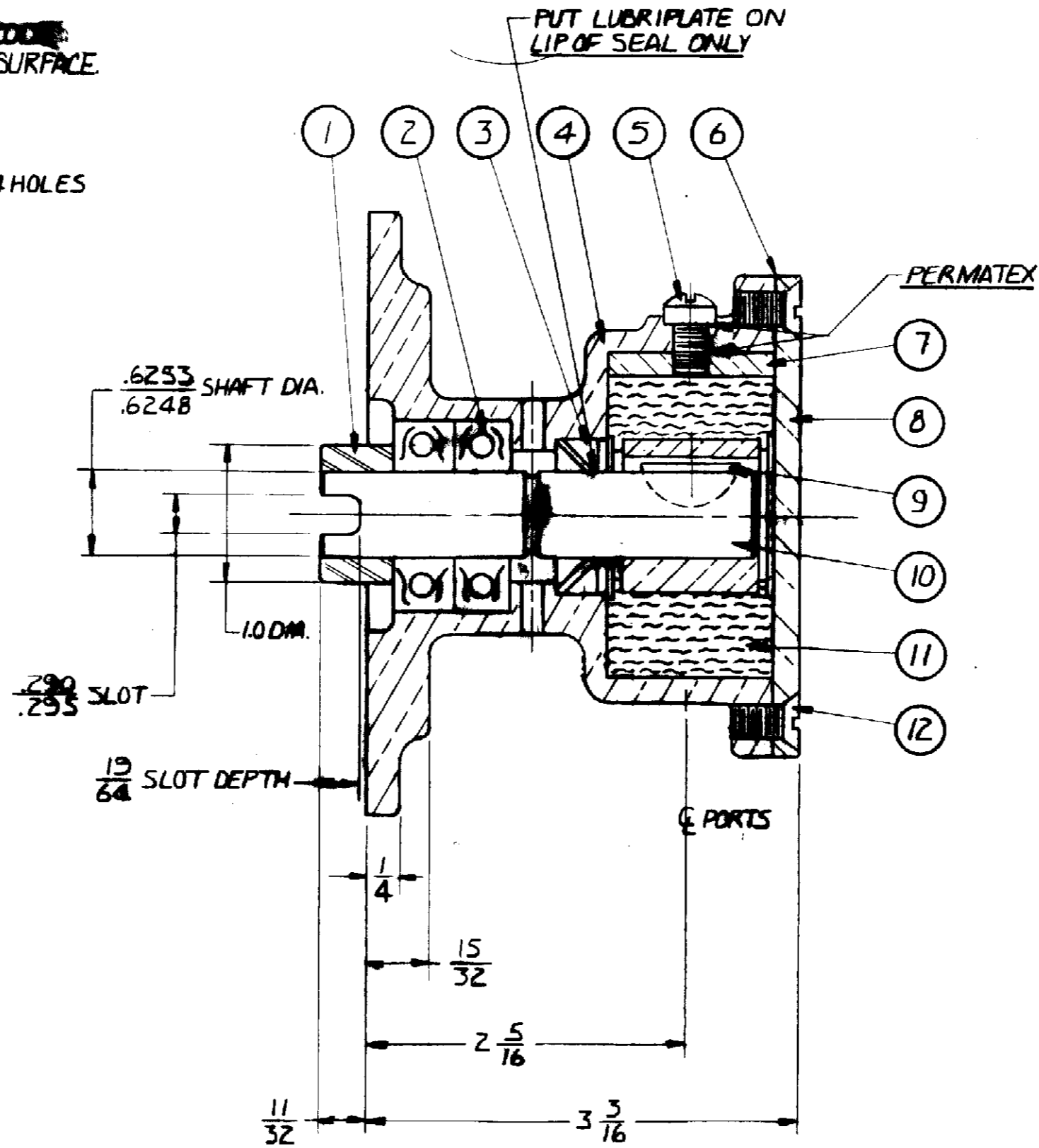
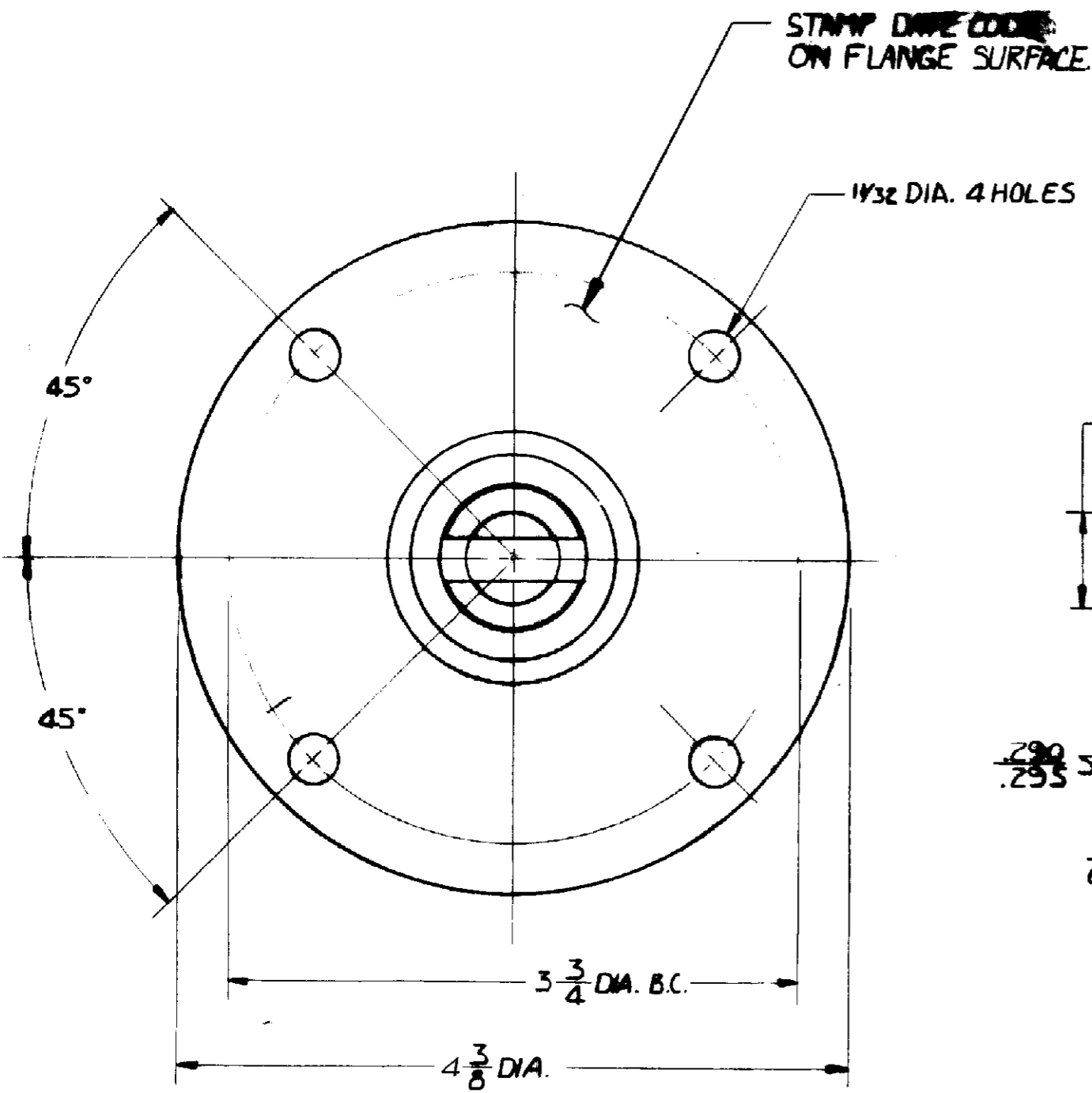
ITEM	PART NO.	DESCRIPTION	REQ'D
1	1244Z	COUPLING	1
2	12211	BALL BEARING	2
3	10514	LIP SEAL	1
4	12440	BODY	1
5	10515	SCREW 1/4-20x3/8	1
6	11360-A	GASKET	1
7	10072	CAM (.182)	1
8	11389-A	COVER	1
9	4432	NO. 9 WOODRUFF KEY	1
10	12441	SHAFT	1
11	9959	IMPELLER	1
12	11417-A	SCREW 1/4-20 FLAT HD.	4
13	13268	PUMP DECAL	1

SERVICE ASSY NO.	COMPONENT ITEM NO.'S
SHAFT/COUPLING ASSY NO. 12444	10 & 1
MAJOR SERVICE KIT NO. 12221	
MINOR SERVICE KIT NO. 11422	
SERVICE KIT NO. 11421	

(J) (K)

UNIT PACKAGING:

Nº 17644 CARTON M 1 REQ'D
 12209 LABEL 1 REQ'D
 14474 JIFFY BAG 1 REQ'D



REF: N4003335
 FLOW CURVE NO. 7400SR

REV	DESCRIPTION	APPR	DATE
K	WAS 19886 GASKET	TLG	9-18-92
J	GASKET WAS 11360-A	KB	3-20-92
I	ADDED TAG NO. 13268		
H	REVISION WITHOUT CHANGE	RM	12-23-89

UNLESS OTHERWISE SPECIFIED TOLERANCE TO BE				
CAST DIMENSION	±	020		
MACHINED DIMENSION				
FRACTIONAL	±	010		
DECIMAL	±	005		
ANGLES	±	1/2		
MACHINED SURFACE ROUGHNESS ALLOW 1/16 STOCK ON ALL FINISHED SURFACES FOR MACHINING				
BREAK ALL SHARP EDGES .010 MAX				
CAST FILLETS AND RADI: 1/16 R				

SHERWOOD				
A DIVISION OF HYPRO CORPORATION				
8331 E. JEFFERSON AVE. • DETROIT, MICHIGAN 48207				
DRAFTSMAN	DATE	CHECKER	DATE	ASSY NO.
R.I.	12-22-80	RBM	12-23-80	
TITLE: PUMPASS'Y-RUBBER MAR				
MATERIAL: SEE DETAILS				DWG. NO. G65

PROJ. 189