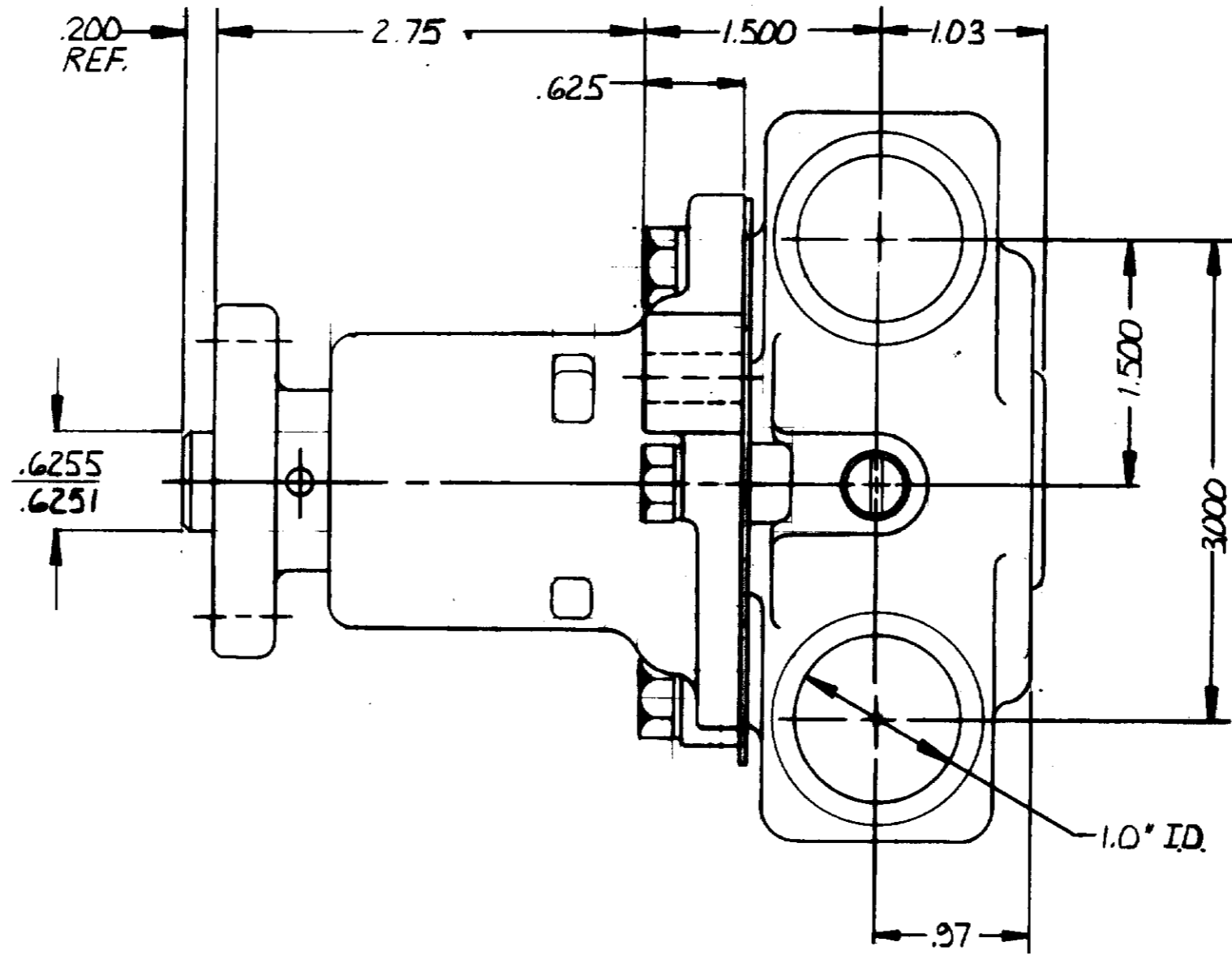
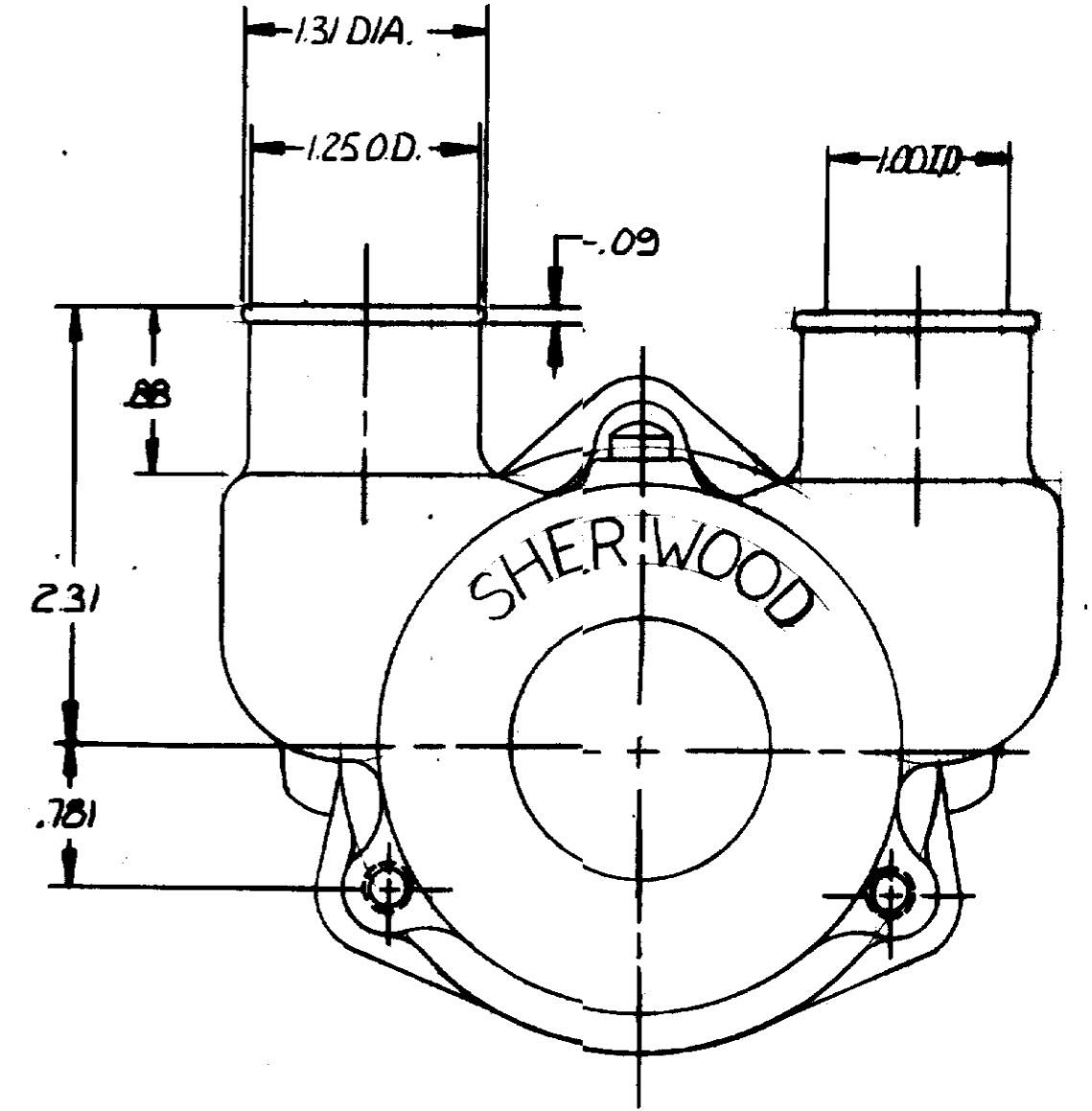
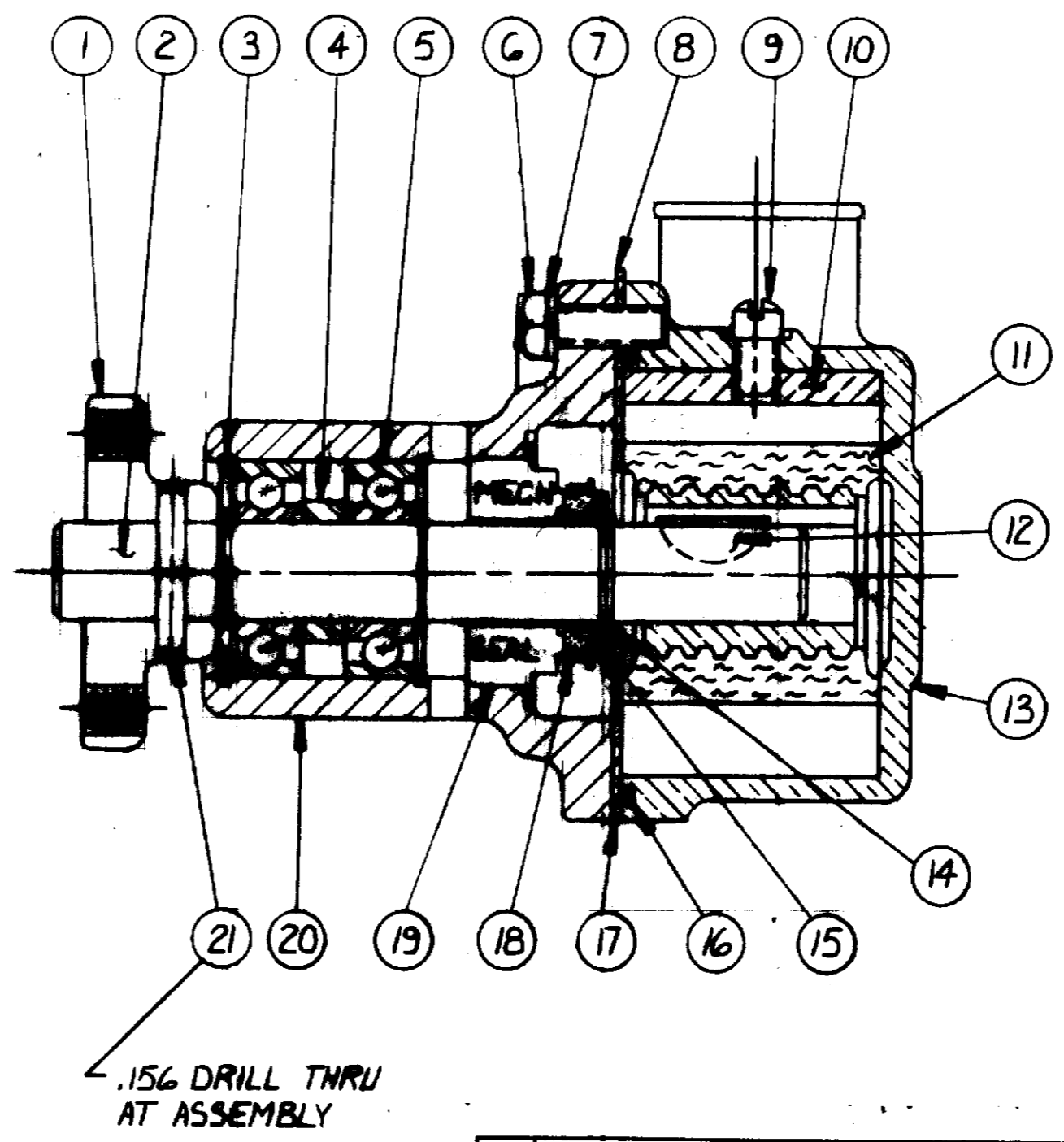
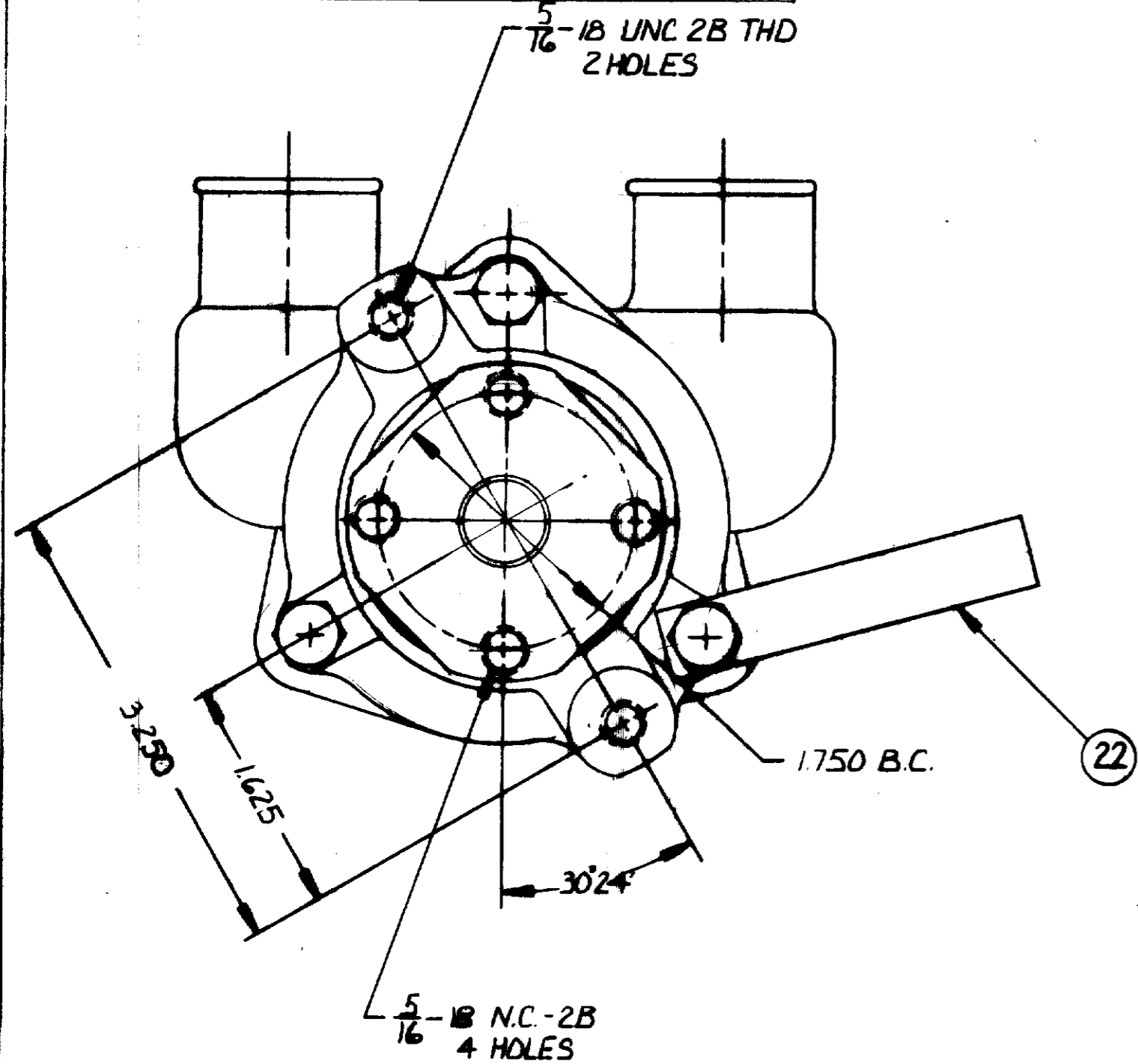


PARTS LIST

ITEM	PART NO.	DESCRIPTION	REQ'D
1	10769	HUB	1
2	12596	SHAFT	1
3	4259	RET. RING	2
4	5133	SPACER BRG.	1
5	12211	BALL BEARING	2
6	12857	CAPSCREW	3
7	P-12710	LOCKWASHER	3
8	12856	END PLATE	1
9	10515	SCREW	1
10	10944	CAM	1
11	10615	IMPELLER	1
12	4432	DRIVE KEY	1
13	12907	HOUSING	1
14	4258	RET. RING	3
15	4264	THRUST WASHER	1
16	12231	O RING GASKET	1
17	12855	GASKET	1
18	12256	SEAL SEAT	1
19	12314	MECH. SEAL	1
20	12328	BODY	1
21	9420	PIN	1
22	13285	TAG - PART NUMBER	1
23	17659	CARTON	1
24	12209	LABEL	1
25	17653	JIFFY BAG No 5	1



DESCRIPTION	SERVICE KIT NO. AND ASSEMBLY NO.
MAJOR SERVICE ASS'Y	
MAJOR KIT	13368
MINOR KIT	12394
SEAL AND SEAT ASS'Y	12859



CUSTOMER NO.
CURVE NO. 78006R-78007R

UNLESS OTHERWISE SPECIFIED TOLERANCE TO BE		SHERWOOD	
CAST DIMENSION ± .020		A DIVISION OF HYPRO CORPORATION	
MACHINED DIMENSION		8331 E. JEFFERSON AVE. • DETROIT, MICHIGAN 48227	
FRACTIONAL ± .010		DRAFTSMAN	DATE
DECIMAL ± .008		R/W	12/20/05
ANGLES ± 1/2°		CHECKER	DATE
MACHINED SURFACE ROUGHNESS		ASSY NO.	12-20-05
ALLOW 1/16 STOCK ON ALL FINISHED SURFACES FOR MACHINING.		TITLE	
BREAK ALL SHARP EDGES .010 MAX.		RUBBER IMPELLER PUMP	
CAST FILLETS AND RADIUS 1/16 R		MATERIAL	DWG NO.
SEE DETAILS		G 56	

REV.	DESCRIPTION	APPR.	DATE
C	12859 WAS 12322	SH	7/15/00
B	10944 WAS 10961	ML	7/18/00
A	12314 WAS 8388	SH	11/11/00

EES-AN-539