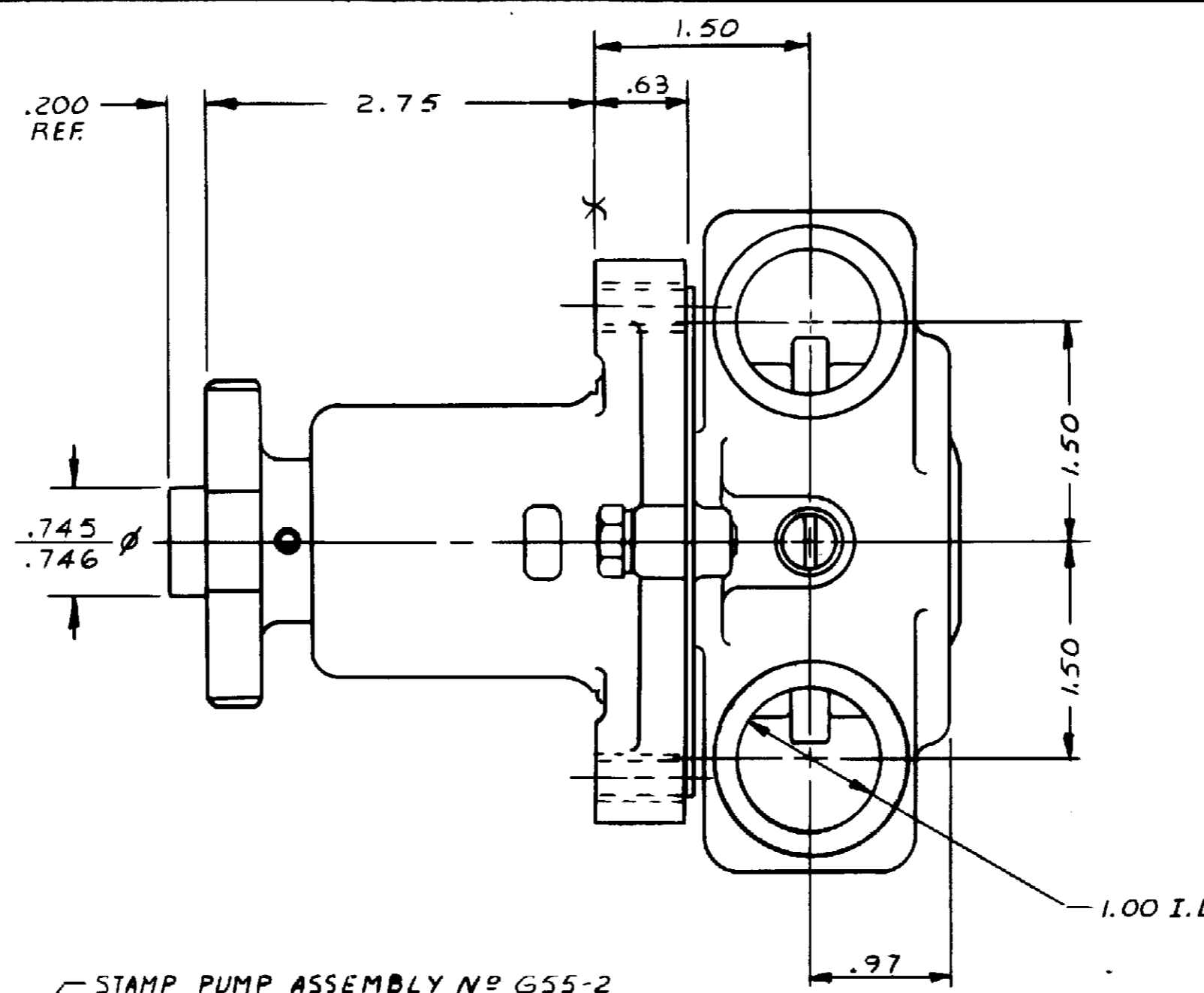


PARTS LIST

ITEM	PART NO	DESCRIPTION	REQ'D.
1	12907	HOUSING	1
2	12231	O RING GASKET	1
3	10515	SCREW	1
4	10944	CAM	1
5	4432	DRIVE KEY	1
6	12596	SHAFT	1
7	10615	IMPELLER	1
8	4258	RET. RING	3
9	4264	THRUST WASHER	1
10	12328	BODY	1
11	12856	END PLATE	1
12	12256	SEAL SEAT	1
13	12314	MECH. SEAL	1
14	12211	BALL BRG.	2
15	12926	HUB	1
16	9420	PIN	1
17	4259	RET. RING	2
18	5133	SPACER BRG.	1
19	12857	CAPSCREW	3
20	P-12710	LOCKWASHER	3
21	12855	GASKET	1
22	12927	SLEEVE-SHAFT	1
23	13285	TAG	1

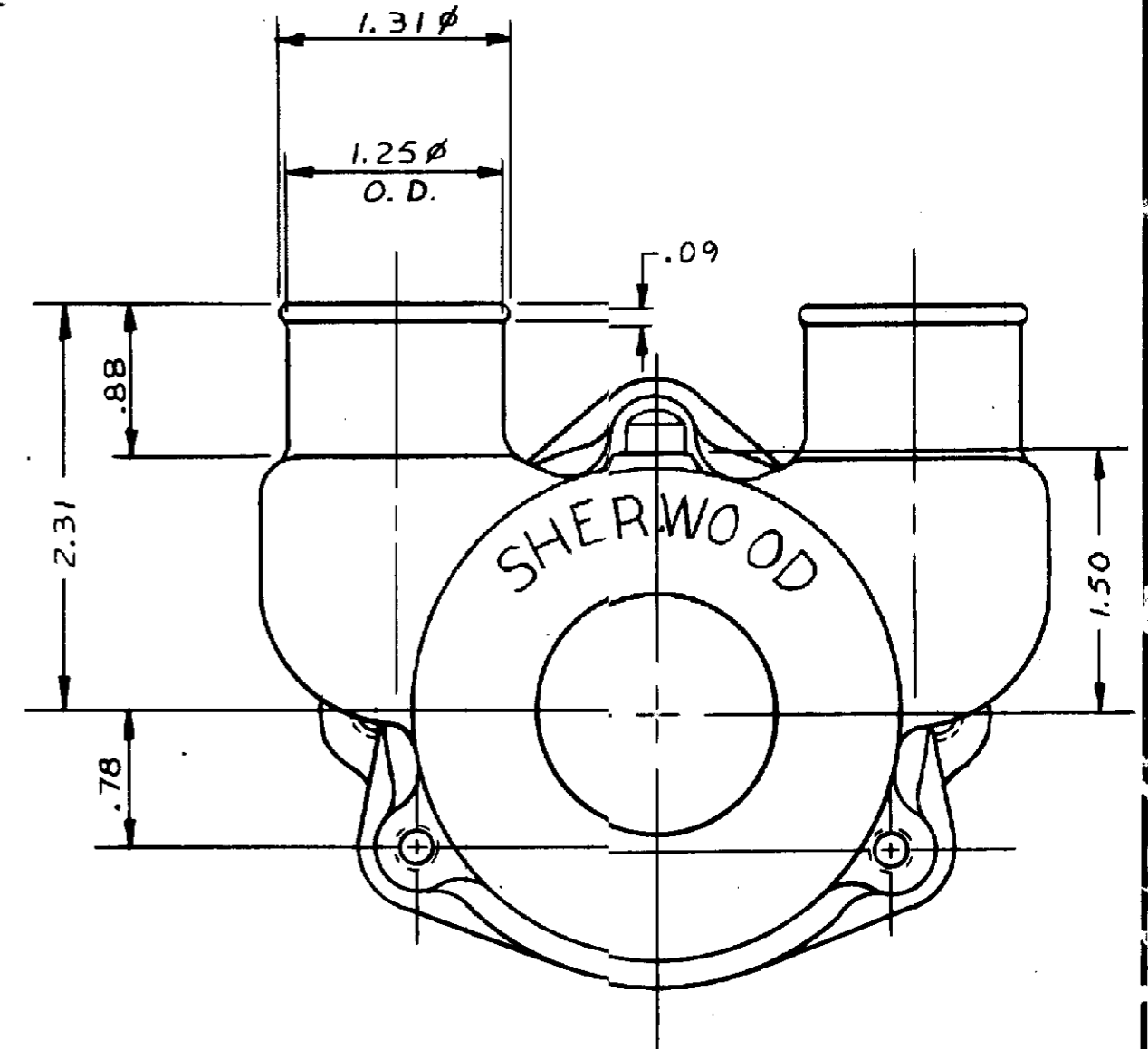
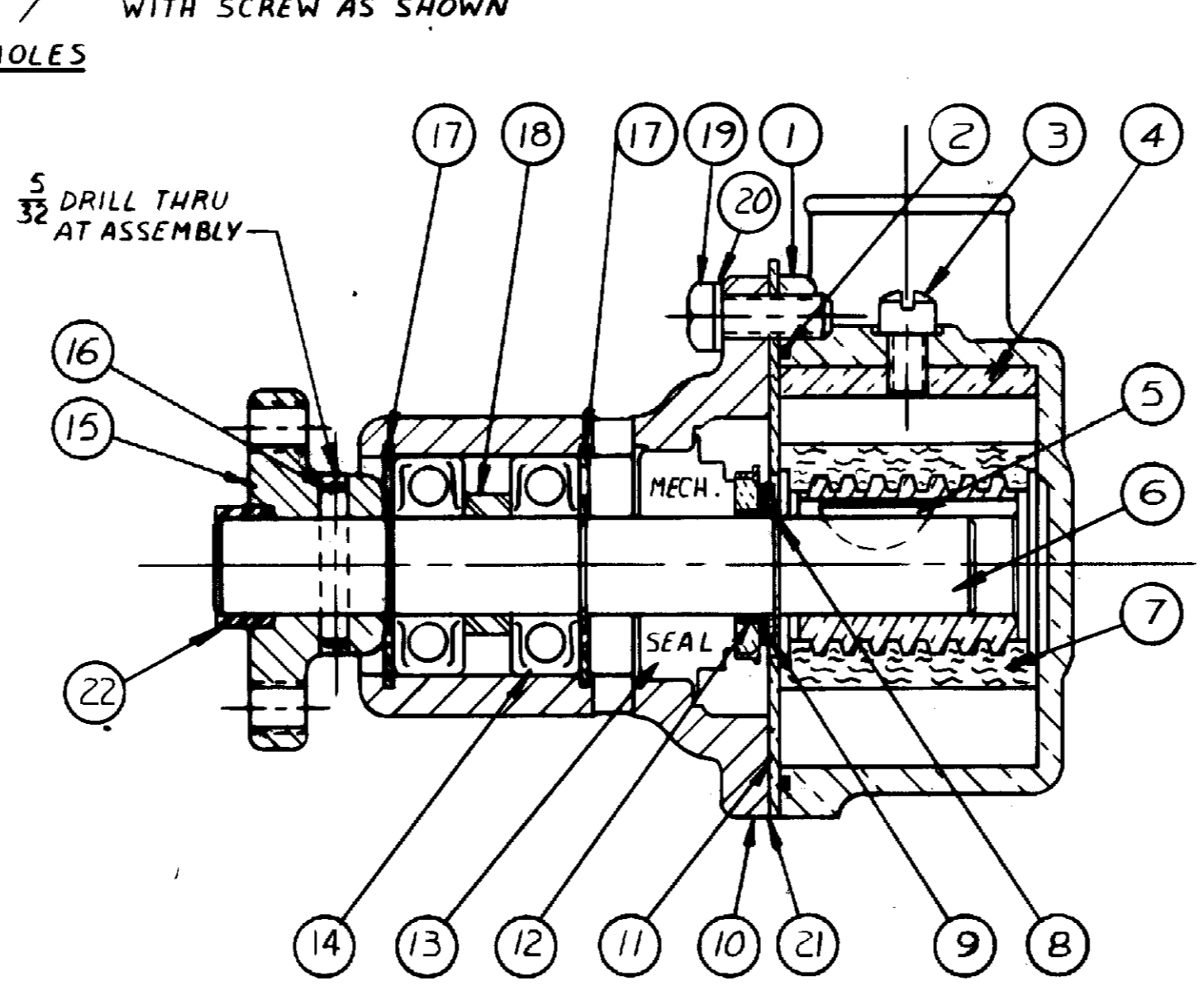
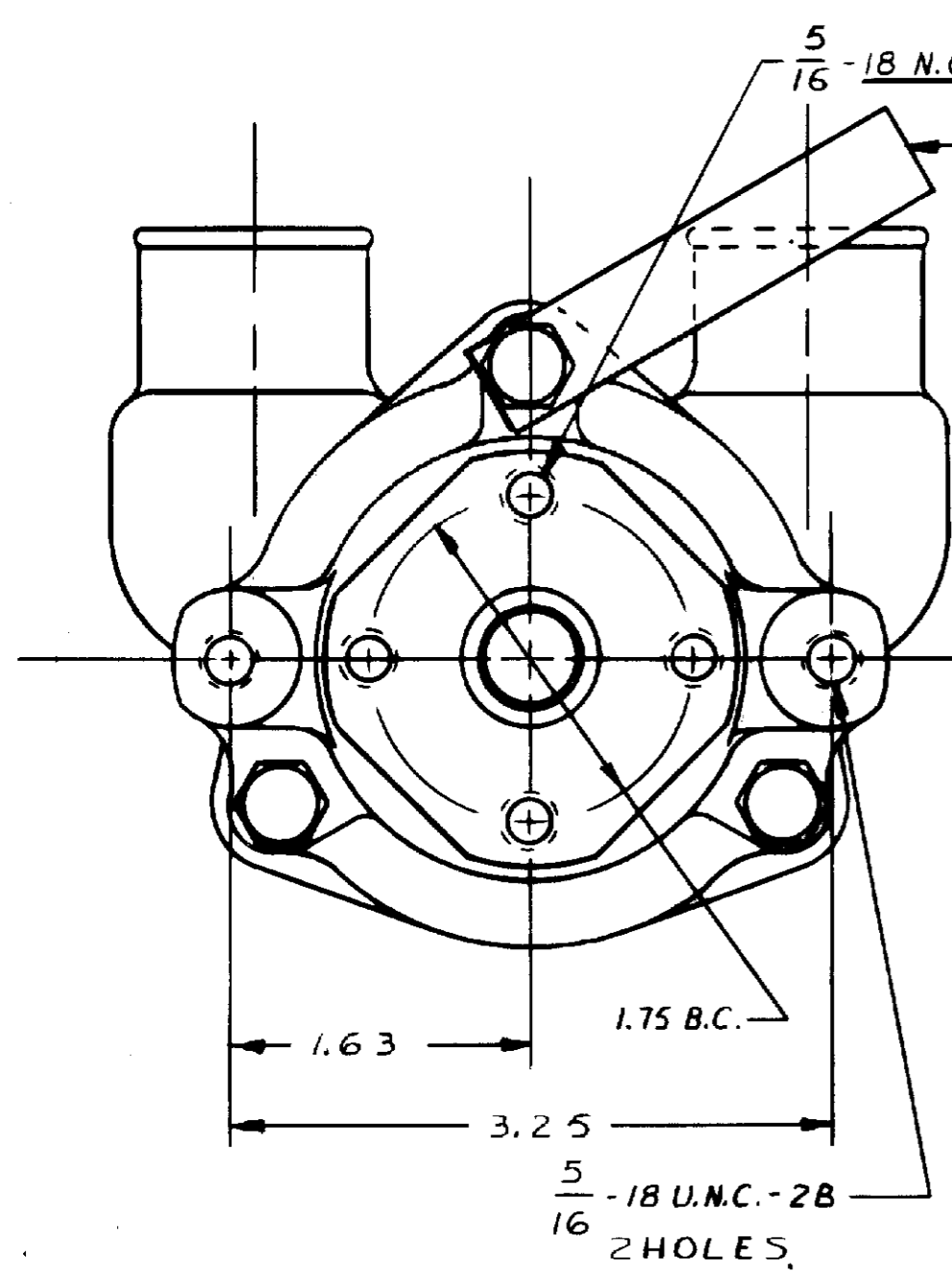
MINOR REPAIR KIT N° 12394
 MAJOR REPAIR KIT N° 13368



PACKAGING:
 No. 11516 PALLET 1 REQ'D.
 14120 TUBE CONTAINER 1 REQ'D.
 14122 PADS 7 REQ'D.
 14124 INSERTS (DIVIDERS) 5 REQ'D.
 36 PUMPS PER LAYER X 5 LAYERS
 180 PUMPS PER PALLET

OPTIONAL INDIVIDUAL BOXING
 No. 17659 CARTON Y 1 REQ'D.
 12209 LABEL 1 REQ'D.
 17653 JIFFY BAGS 5 1 REQ'D.

STAMP PUMP ASSEMBLY N° 655-2
 AND DATE CODE ON TAG AND ATTACH
 WITH SCREW AS SHOWN



CURVE N° 78006R - 78007R CUSTOMER N° RA057009A

UNLESS OTHERWISE SPECIFIED		CAST DIMENSIONS ± .02		FILLETS & RADII .06		FINISH STOCK .07		MACHINING TOLERANCE, INCHES		XX ± .01, XXX ± .005		SURFACE ROUGHNESS		ANGLES ± 0° 30'		CORNER BREAKS .01 MAX.	
PARALLISM .001		FLATNESS .001		SQUARNESS .001		CONCENTRICITY .001		ROUNDNESS .002		RUNOUT .001		SHERWOOD A DIVISION OF HYPRO CORPORATION 6331 E. JEFFERSON AVE. • DETROIT, MICHIGAN 48207		DRAFTSMAN B.K. DATE 1-6-78 CHECKER AVB DATE 3/14/89 PROD. NO. 203		TITLE RUBBER IMPELLER PUMP	
MATERIAL		DWG. NO. G55-2		SEE DETAILS													

J	REDRAWN WITH CHANGE	KB	3-8-89
REV	DESCRIPTION	APPR	DATE