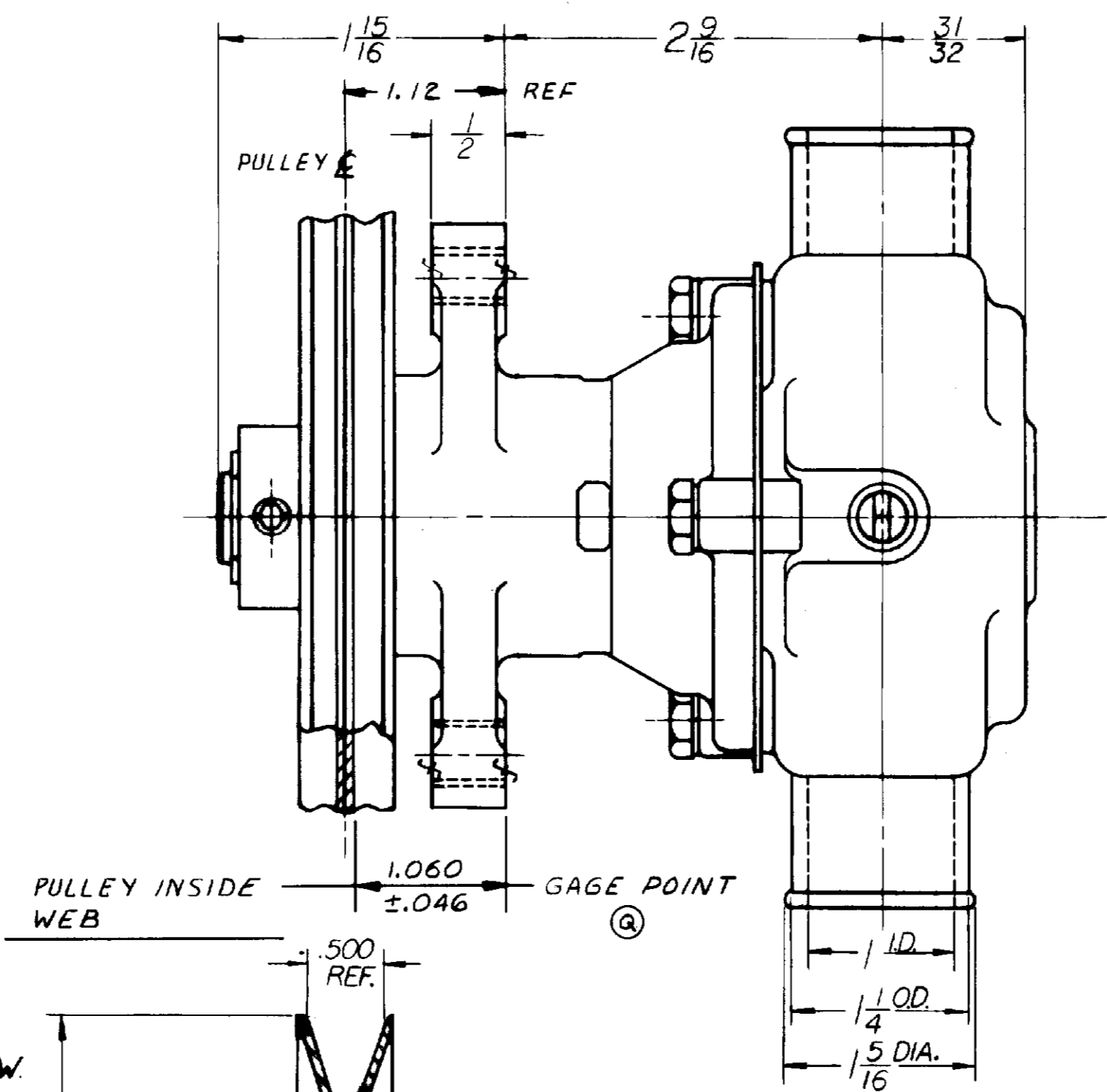


**PARTS LIST**

ITEM	PART NO.	DESCRIPTION	REQ'D
1	12305	RETAINING RING	1
2	12622	NON-ROK KEY	1
3	12323	PULLEY ASS'Y	1
4	4259	RETAINING RING	2
5	5133	SPACER-BEARING	1
6	12211	BALL BEARING	2
7	12857	CAPSCREW	3
8	12710	LOCK WASHER	3
9	12856	END PLATE	1
10	4264	THRUST WASHER	1
11	10515	SCREW	1
12	12228	HOUSING	1
13	10944	CAM	1
14	4432	DRIVE KEY	1
15	12233	SHAFT	1
16	10615	IMPELLER	1
17	12231	"O" RING GASKET	1
18	12855	GASKET	1
19	12227	BODY	1
20	12256	SEAL SEAT	1
21	12314	MECH. SEAL	1
22	4258	RETAINING RING	2
23	12304	SPACER	1
24	11541	PIN	1
25	13285	TAG	1

G 50

SERVICE ASSY NO	COMPONENT ITEM NOS
SEAL & SEAT ASSY NO. 12859	21 & 20
MAJOR REPAIR KIT	NO. 12794
MINOR REPAIR KIT	NO. 12394



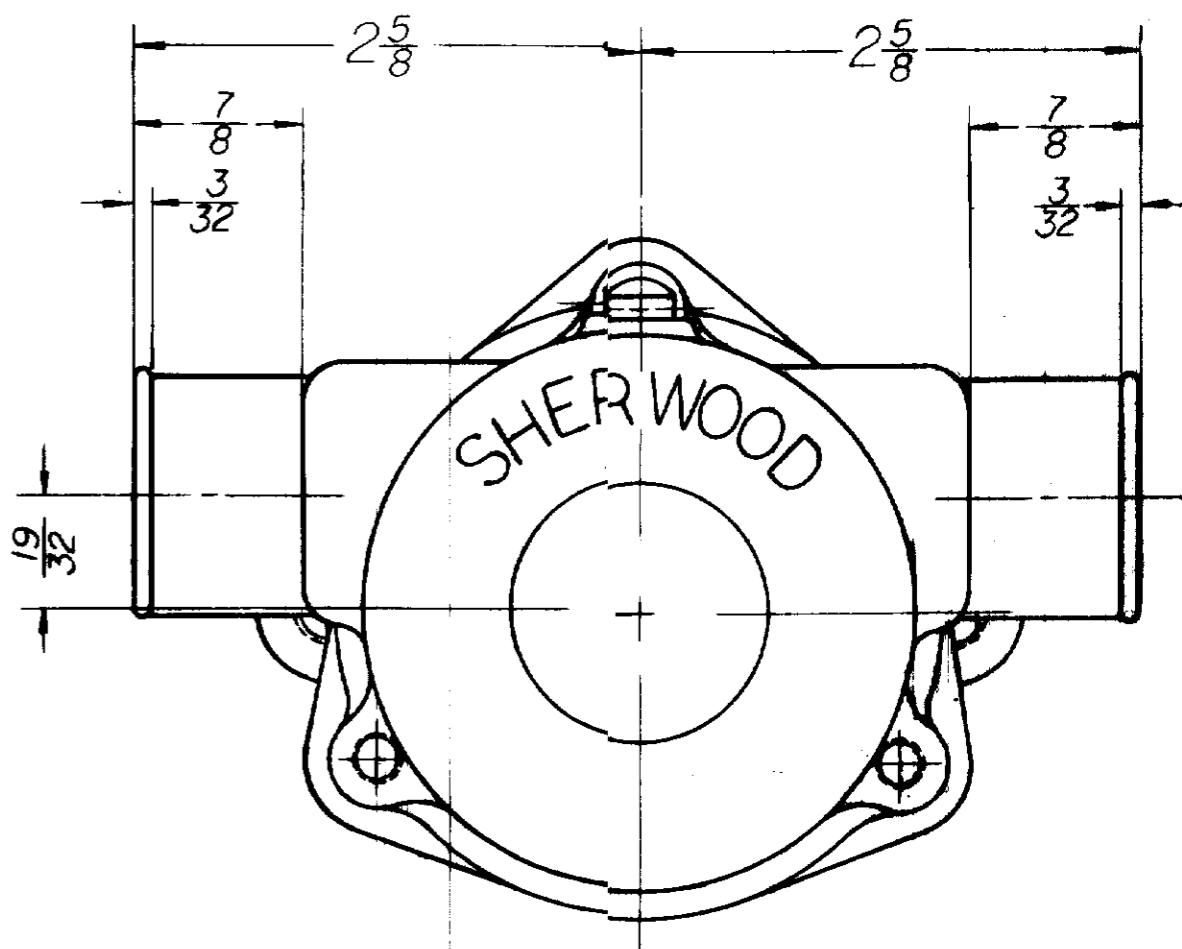
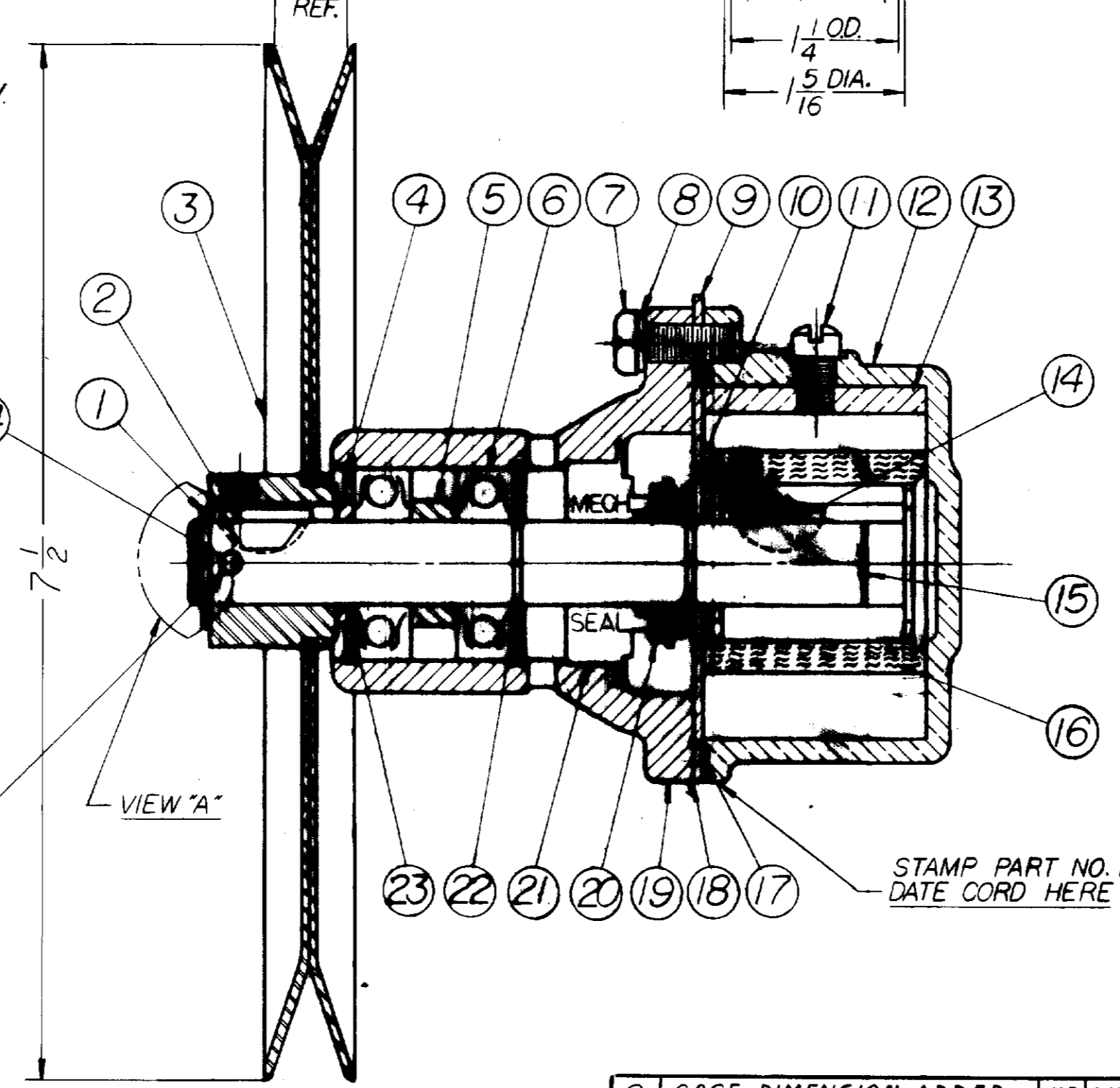
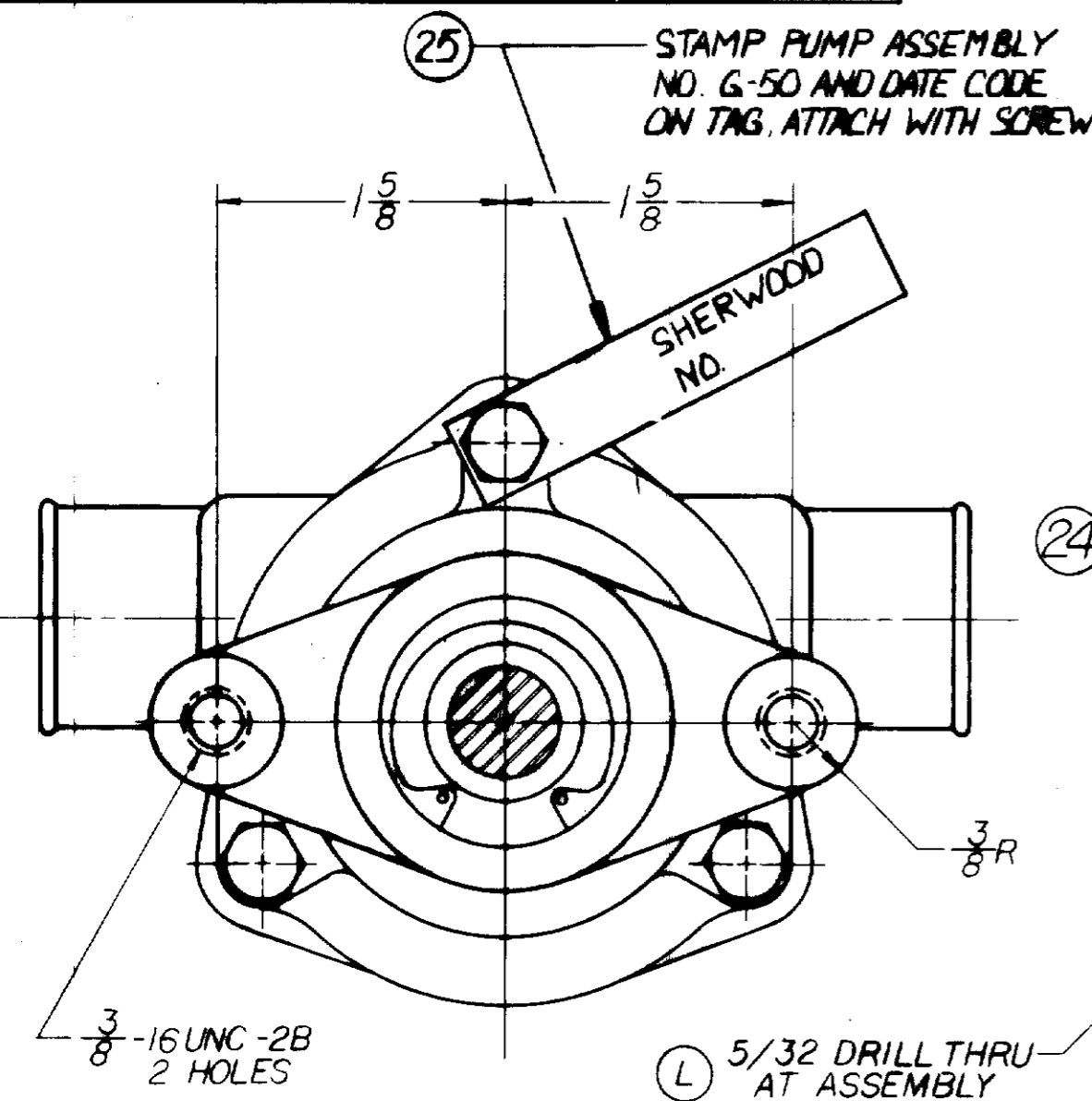
**PACKAGING:**

Ⓟ N° 11516 PALLET 1 REQ'D.  
 14120 TUBE CONTAINER 1 REQ'D  
 14122 PADS 6 REQ'D  
 18026 INSERTS 4 REQ'D

Ⓞ **UNIT PACKAGING:**  
 N° 17631 CARTON 0 1 REQ'D  
 12209 LABEL 1 REQ'D

16 PUMPS/LAYER x 4 LAYERS = 64 PUMPS/PALLET

**NOTE:**  
 THIS PUMP ASSEMBLY IS THE SAME AS G-5 PUMP ASSEMBLY EXCEPT FOR THE PULLEY



29 GPM. AT 3000 R.P.M.

CURVE NO. 71035R - 71036R - 74006R

UNLESS OTHERWISE SPECIFIED TOLERANCE TO BE

Q	GAGE DIMENSION ADDED	KB 4-16-91
P	12859 WAS 12322	SH 7/5/90
O	CARTON & LABEL ADDED	SH 9/14/89
N	12314 WAS B388	SH 11-11-86
M	TAG ADDED ITEM 25	
L	DRILLING & 11541 PIN ADDED	RM 02-78
K	REDRAWN WITHOUT CHANGE	RM 02-78
REV	DESCRIPTION	DATE

**SHERWOOD**  
 A DIVISION OF HYPRO CORPORATION  
 9201 E. JEFFERSON AVE. • DETROIT, MICHIGAN 48207

DRAFTSMAN: B K DATE: 8-10-78 CHECKER: RBM DATE: 8-11-78 ASSY NO:

TITLE: PUMP ASSY-FUB IMPELLER

MATERIAL: SEE DETAILS

DWG NO: G 50

ASSEMBLE RETAINING RING AS SHOWN THIS SIDE TOWARDS PULLEY HUB  
 LOCATE RETAINING RING AS SHOWN IN RELATION TO THE KEYWAY

PROJ. NO.