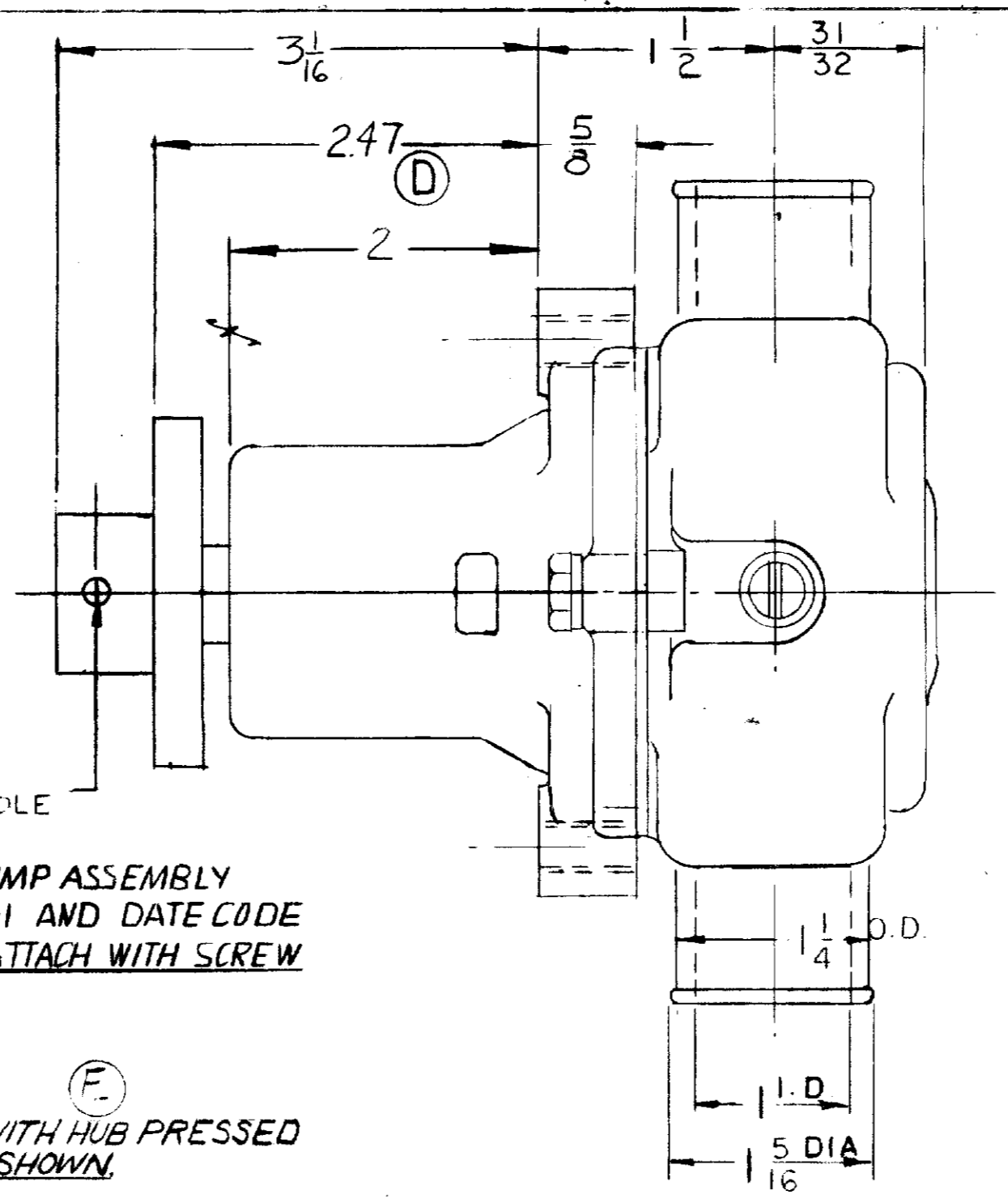


PARTS LIST			
ITEM	PART NO	DESCRIPTION	REQ'D
1	12228	HOUSING	1
2	12231	"O" RING GASKET	1
3	10515	SCREW	1
4	10944	CAM	1
5	4432	DRIVE KEY	1
6	10615	IMPELLER	1
7	4258	RET. RING	3
8	12314	MECH SEAL	1
9	12256	SEAL SEAT	1
10	4264	THRUST WASHER	1
11	12856	END PLATE	1
12	12328	BODY	1
13	12857	CAPSCREW	3
14	P-12710	LOCKWASHER	3
15	4259	RET. RING	2
16	12612	SHAFT	1
17	12211	BALL BRG.	2
18	5133	SPACER-BRG.	1
19	12615	HUB-PULLEY	1
20	12791	PIN	1
21	12855	GASKET	1
22	13285	TAG	1
23	17659	CARTON Y	1
24	12209	LABEL	1
25	17653	UFFRY BAG N25	1

SERVICE ASS'Y NO	COMPONENT ITEMS
(M) SEAL & SEAT ASSY NO 12859	8 & 9
MINOR SERVICE KIT NO 12394	
MAJOR SERVICE KIT	
12619	

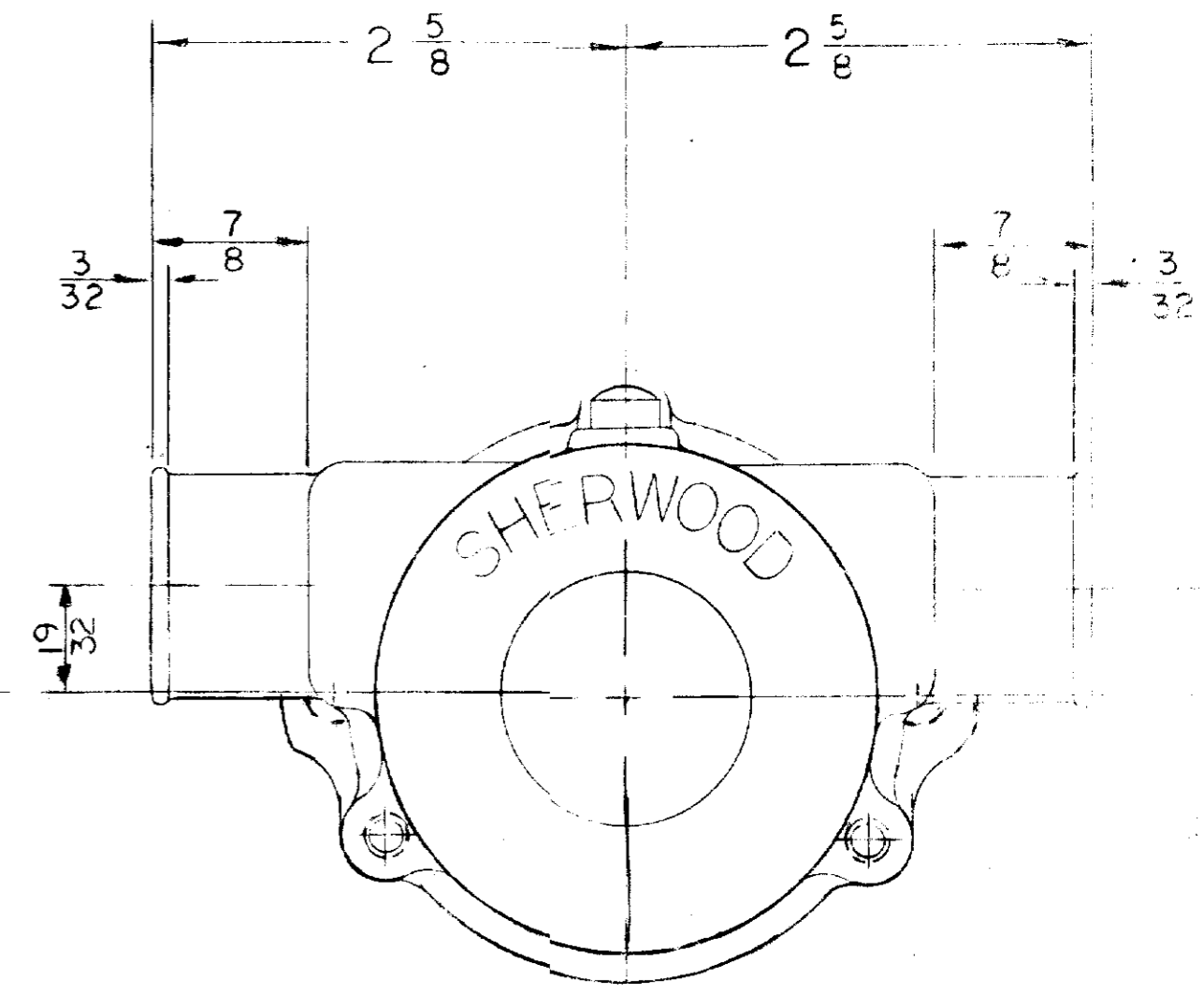
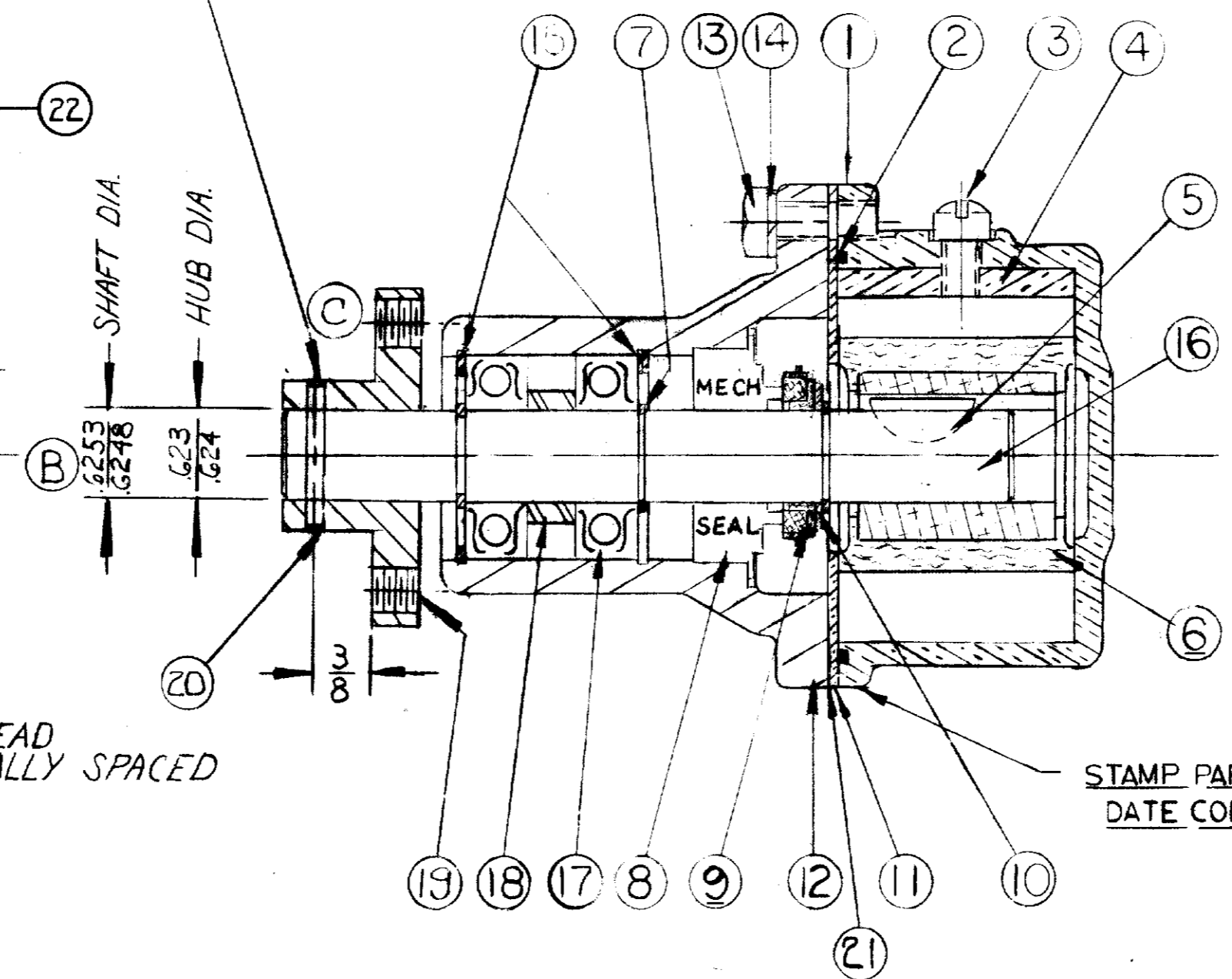
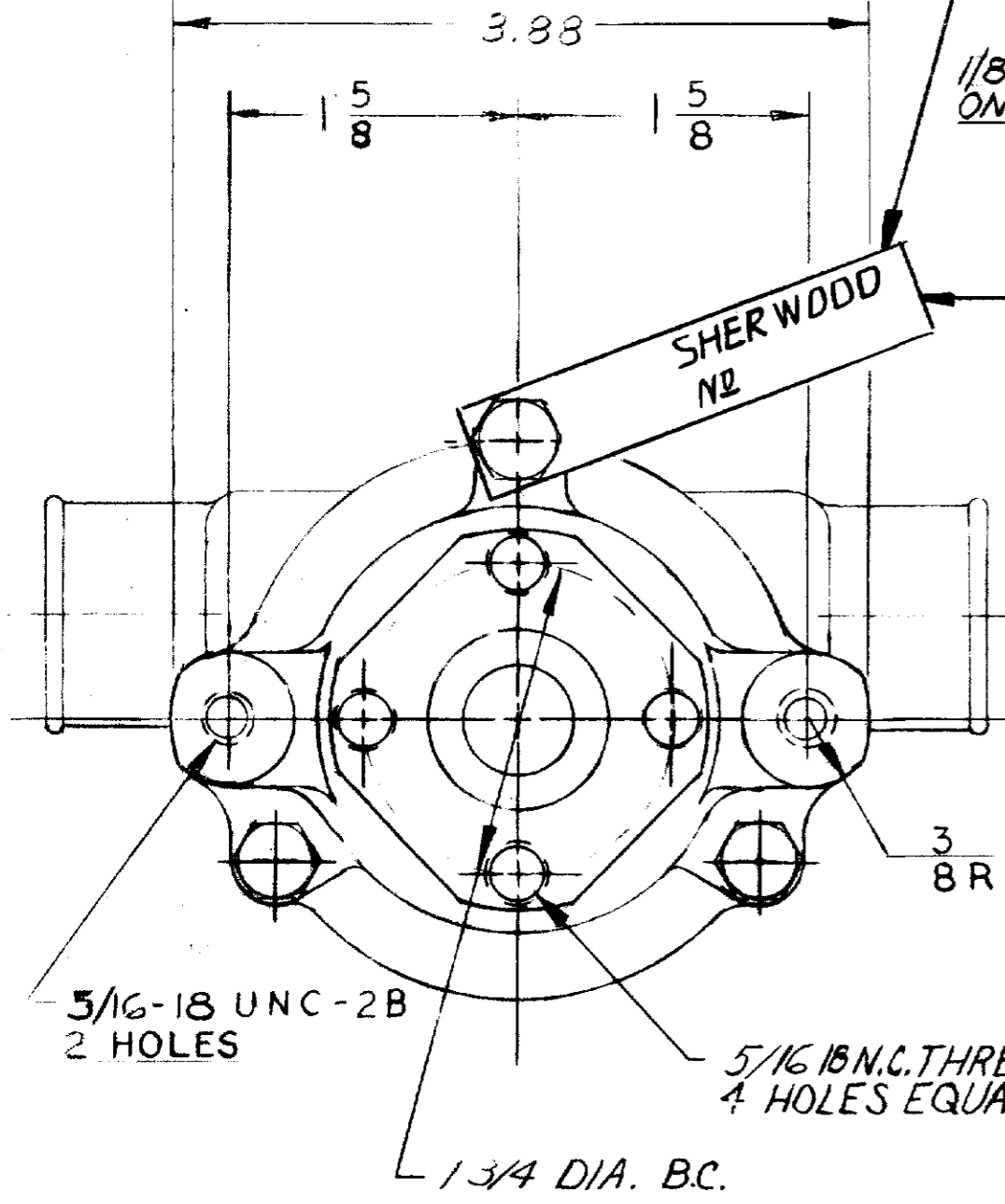


CAPACITY  
288 GPM AT 3000 RPM

REMOVE BURRS AFTER DRILLING HOLE

STAMP PUMP ASSEMBLY NO G 45-1 AND DATE CODE ON TAG. ATTACH WITH SCREW

1/8 DRILL THRU WITH HUB PRESSED ONTO POSITION SHOWN.



STAMP PART NO. & DATE CODE HERE

				I 12857 WAS 1483	RM 7-20-76
				H 12856 WAS 12230	RM 1
				G 12855 GASKET ADDED	RM
				F 12791 WAS 11543	RM 9-22-76
				E NOTE REVISED	J.M. 4-20-76
				D 247 WAS 2.35	RM 2-10-76
				C 11543 PIN ADDED	RM 2-2-76
				B WAS .6250/.6245	RM 2-2-76
				A SUPERSEDES G-45	
M			SH 7/5/90	12859 WAS 12322	
L			SH 9/13/89	ITEMS 23, 24 & 25 ADDED	
R			SH 10/27/86	TAG 13285 ADDED	
J			SH 10/1/86	LOGO REVISED	

**SHERWOOD**  
A DIVISION OF HYPRO CORPORATION  
6331 E. JEFFERSON AVE. • DETROIT, MICHIGAN 48207

PUMP ASSEMBLY SEE RUBBER IMPELLER DETAILS

FULL  
RVH 1-9-76  
RBM 1-9-76

G 45-1