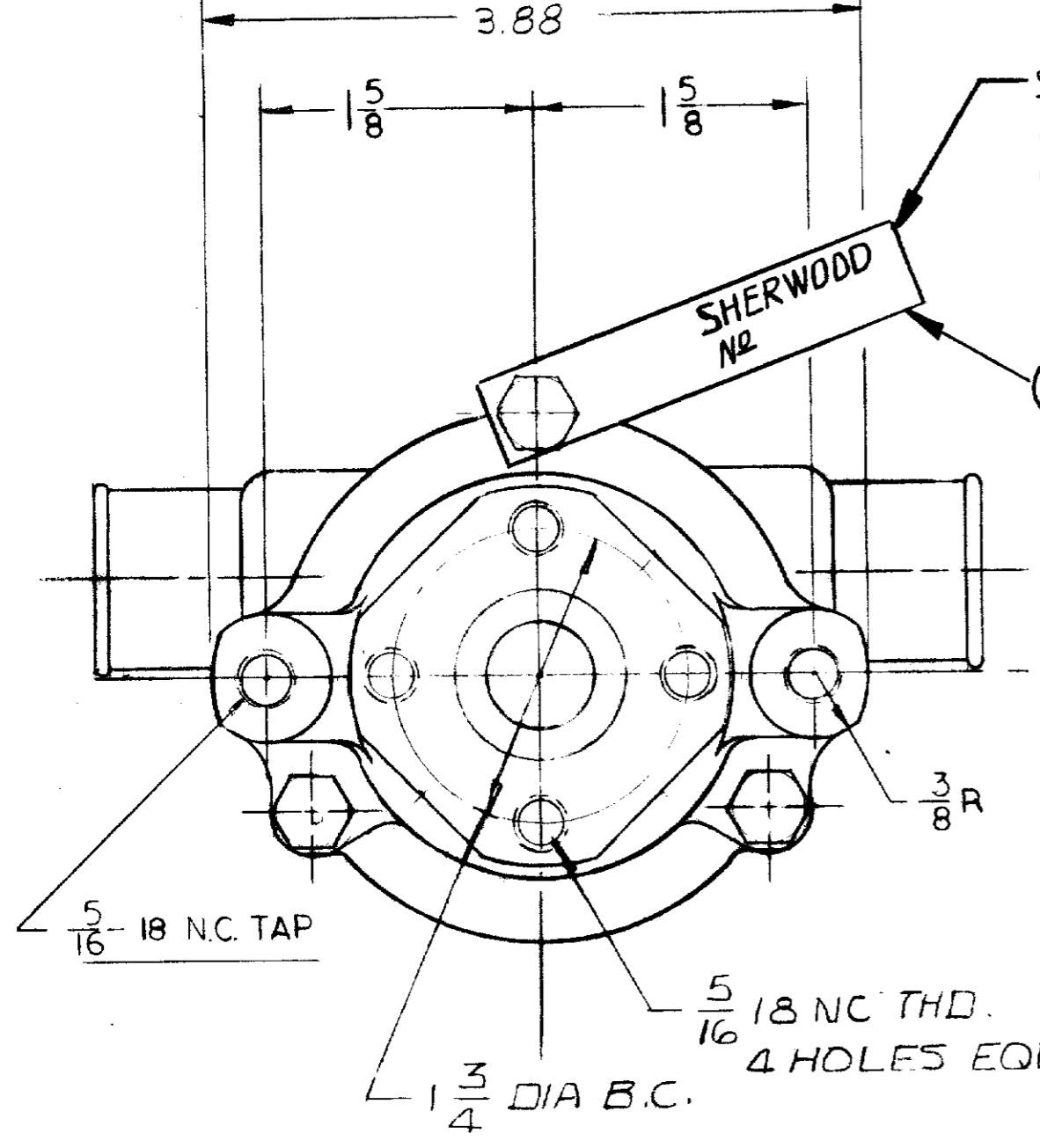
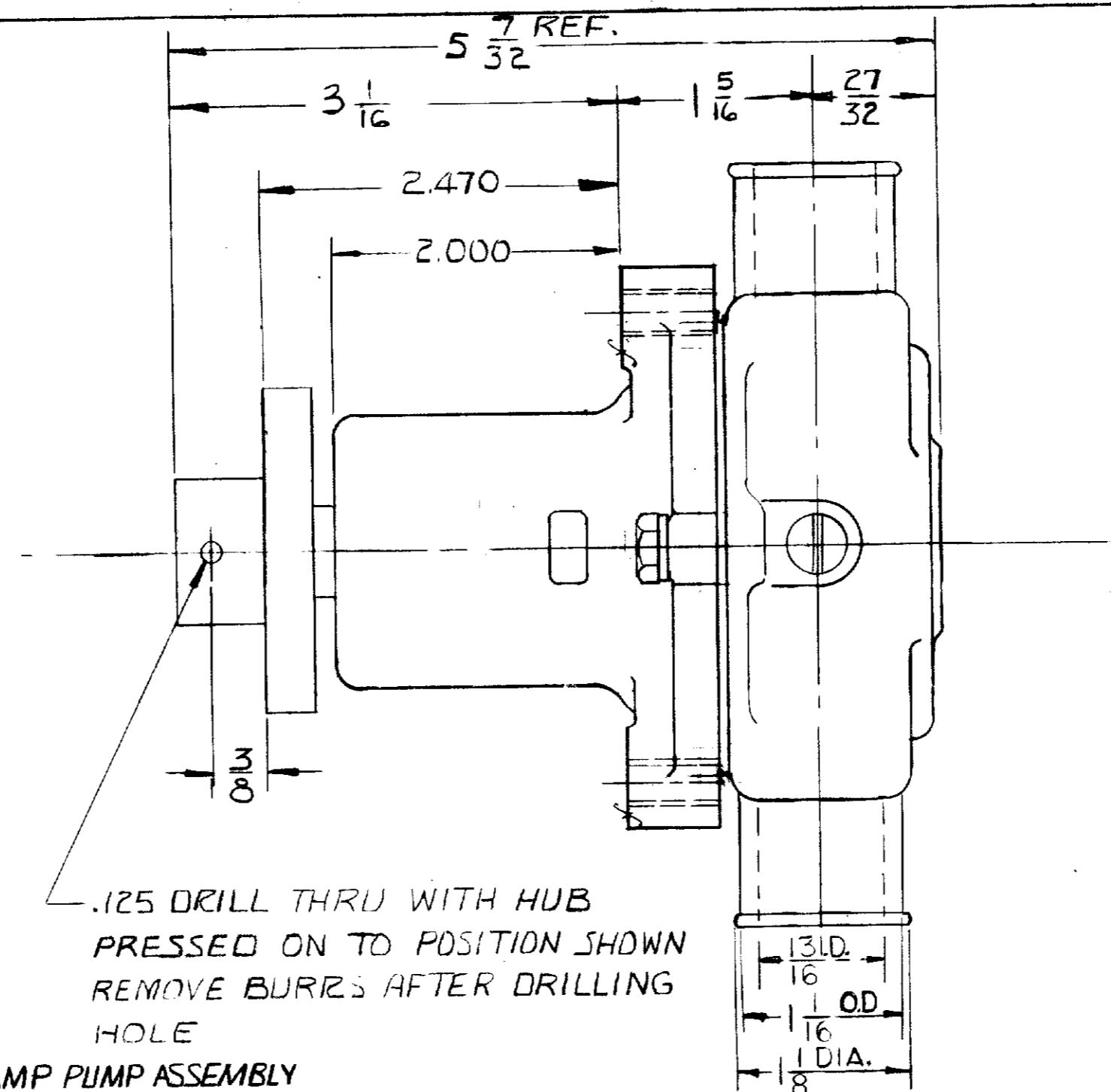


PARTS LIST

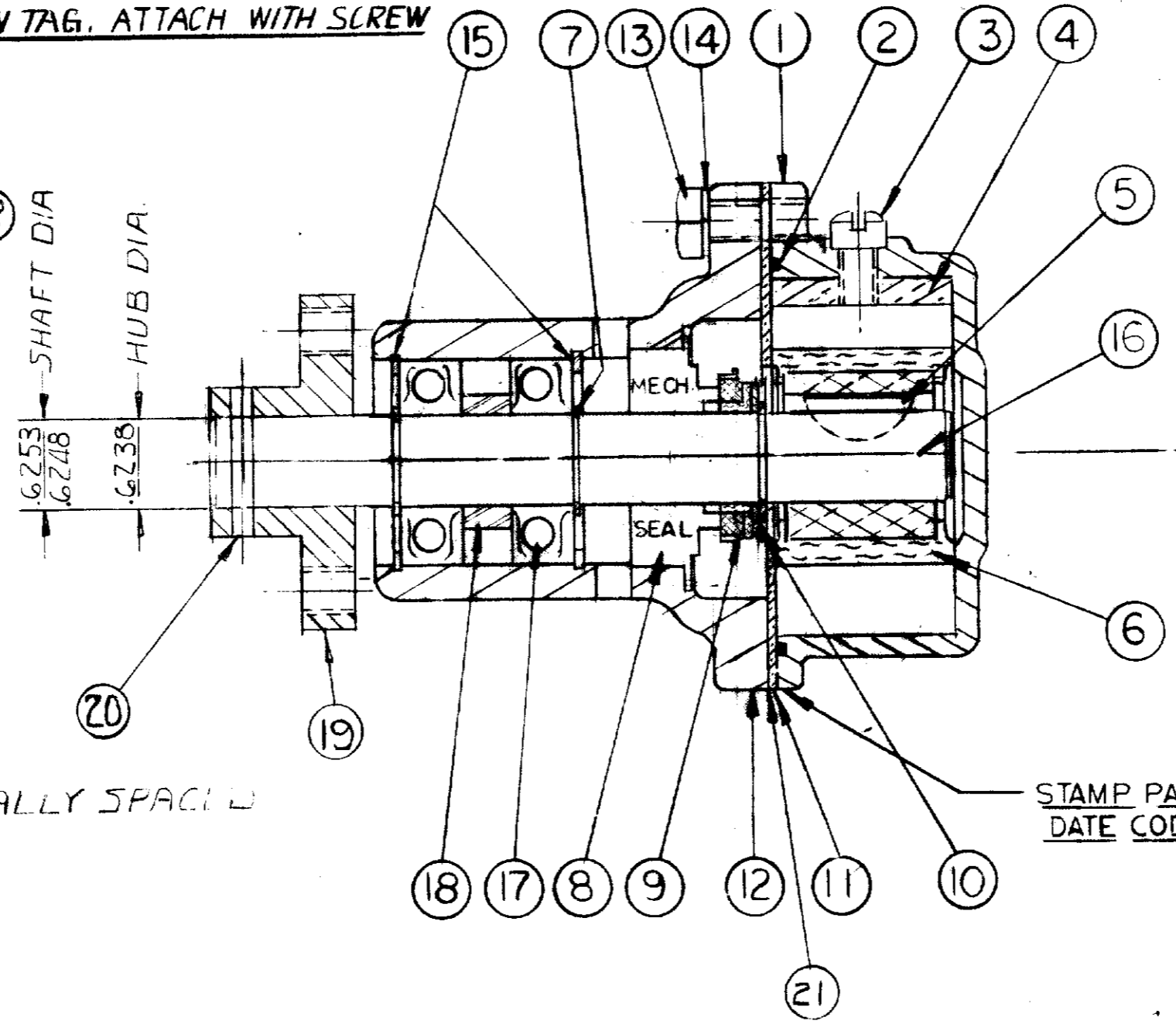
ITEM	PART NO.	DESCRIPTION	REQ D
1	12303	HOUSING	1
2	12231	"O" RING GASKET	1
3	10515	SCREW	1
4	10627	CAM	1
5	4432	DRIVE KEY	1
6	9959	IMPELLER	1
7	4258	RET. RING	3
8	12314	MECH. SEAL	1
9	12256	SEAL SEAT	1
10	4264	THRUST WASHER	1
11	12856	END PLATE	1
12	12328	BODY	1
13	12857	CAPSCREW	3
14	P-12710	LOCKWASHER	3
15	4259	RET. RING	2
16	12612	SHAFT	1
17	12211	BALL BEARING	2
18	5133	SPACER BEARING	1
19	12615	HUB-PULLEY	1
20	12791	PIN	1
21	12855	GASKET	1
22	13285	TAG	1
23	17659	CARTON Y	1
24	12209	LABEL	1
25	14486	JIFFY BAG NO 4	1

SERVICE ASSY NO.	COMPONENT ITEM NO'S
(M) SEAL & SEAT ASSY NO. 12859	8 & 9

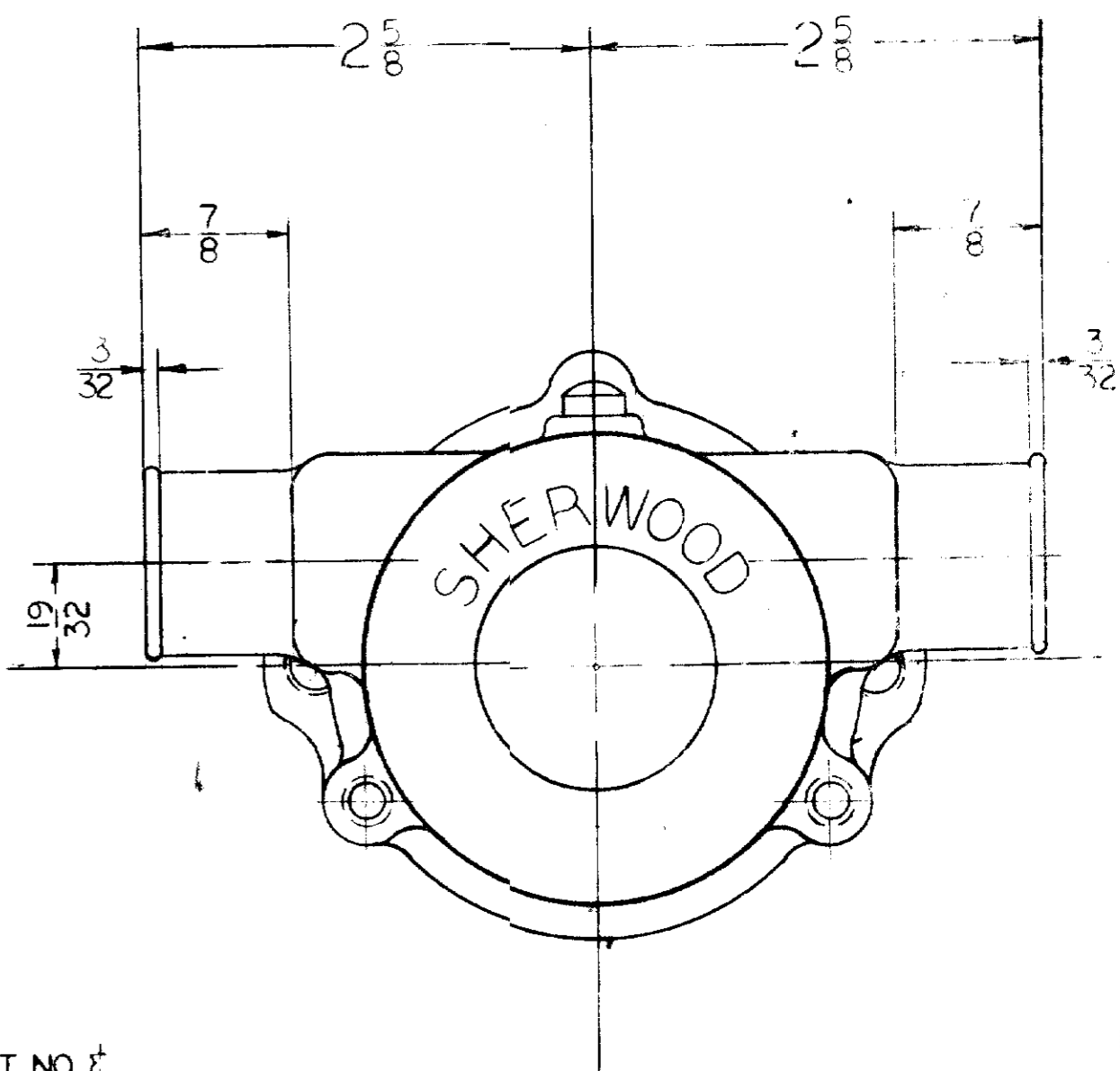
MAJOR REPAIR KIT # 12613
MINOR REPAIR KIT # 12399



STAMP PUMP ASSEMBLY NO G 30-2 AND DATE CODE ON TAG. ATTACH WITH SCREW



STAMP PART NO. & DATE CODE HERE



REV.	DESCRIPTION	OWN	DATE
M	12859 WAS 12322	SH	7/5/90
L	TAG 13285 ADDED	SH	10-27-86
K	LOGO REVISED	SH	10-1-86
J	12857 WAS 1483	RM	7-24-78
I	12856 WAS 12230	RM	
H	12855 GASKET ADDED	RM	
G	REDRAWN WITH CHANGES	RM	

SHERWOOD
A DIVISION OF HYPRO CORPORATION
6331 E. JEFFERSON AVE. • DETROIT, MICHIGAN 48207

DO NOT SCALE DRAWING
PLUS OR MINUS .005
ALLOWED ON FRACTIONAL
DIMENSIONS. ALL HOLES
AND SHARP CORNERS TO
BE BURNED .005 TO .020
CORNERS AND FILLETS
TO BE 1/64". UNLESS
OTHERWISE SPECIFIED.

TITLE
PUMP ASSEMBLY-
RUBBER IMPELLER

MATERIAL
SEE DETAILS

SCALE FULL
REQD 1

DRAWN RBM
DATE 5-4-75

CHECKED
DATE

APPROVED
DATE

PART NO
G30-2