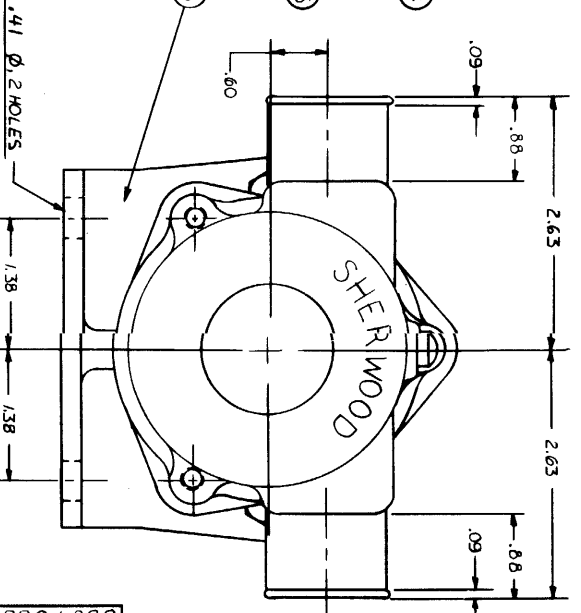
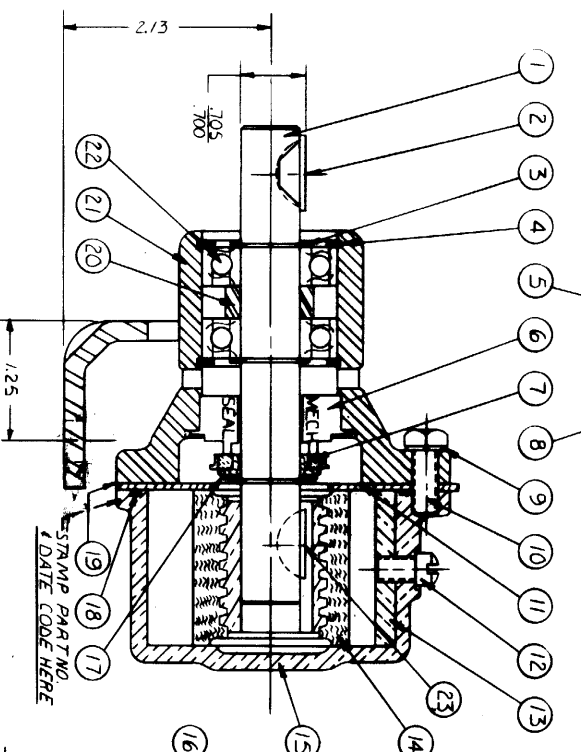
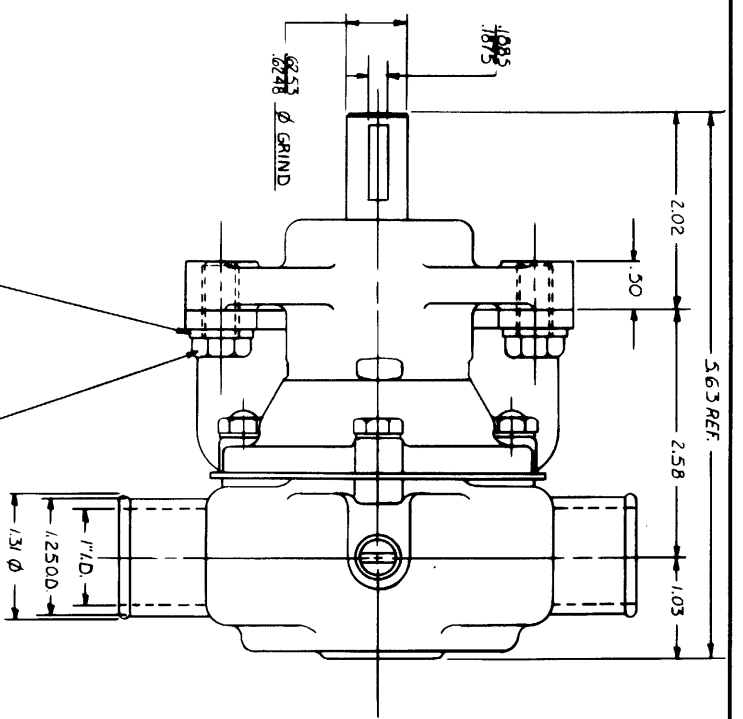
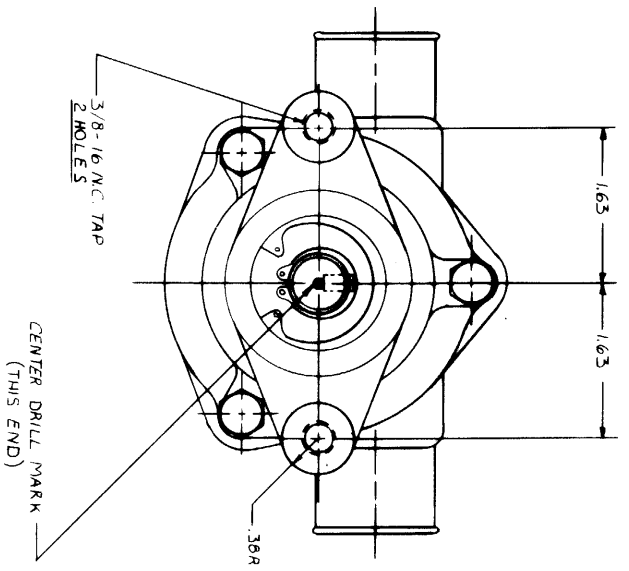


PARTS LIST

ITEM	PART NO.	DESCRIPTION	REQ'D
1	11877	SHAFT	1
2	12622	NO. 9 NON-ROK KEY	1
3	4258	RET. RING EXT.	3
4	4259	RET. RING INT.	2
5	4991	3/8 STD. LOCKWASHER	2
6	12314	MECH. SEAL	1
7	12356	SEAL SEAT	1
8	11633	CAPSCREW 3/8-16	2
9	12710	V/LIGHT LOCKWASHER	3
10	12856	END PLATE	1
11	12856	SCREW 1/4-20x3/8	1
12	10515	CAM (180)	1
13	10944	IMPELLER	1
14	10615	HOUSING	1
15	12228	MOUNTING BRACKET	1
16	12393	THRUST WASHER	1
17	4264	O" RING	1
18	12231	GASKET	1
19	12855	SPACER BAG	1
20	5133	BODY	1
21	12227	BALL BRG.	2
22	12211	NO. 9 WOODRUFF KEY	1
23	4432	JIFT BAG W/2.5	1
24	17653	CARTON	1
25	17659	LABEL	1
26	12209		1



SERVICE	COMPONENT
ASSY NO'S	ITEM NO'S
SEAL & SEAT	6 & 7
ASSY NO. 12859	
MAJOR REPAIR KIT NO. 12394	
MINOR REPAIR KIT NO. 12394	

FLOW CURVE: 110 3SR - 110 3GR

REV.	DESCRIPTION	DATE	BY	CHKD.
D	12856 WAS 12322	SH 7/5/90		
C	17644 WAS 17636	SH 8/15/90		
B	REDRAWN WITHOUT CHANGE	KB 12/2/90		

LIMITS OTHERWISE SPECIFIED	
CAST DIMENSIONS ± .02	
FILLETS & RADI 06	
FINISH STOCK 07	
MACHING TOLERANCE INCHES	
3.0 DIA. MAX. 1.005	
3.0 DIA. MAX. .005	
ANGLES ± .0° 30'	
CORNER BREAKS .01 MAX.	
PARALLELISM .001	
SQUARENESS .001	
CONCENTRICITY .001	
ROUNDNESS .002	
RIMOUT .001	

DATE	CHECKER	DATE	ASST. NO.
11-6-79	RBM	11-15-79	

TITLE: PUMP ASSEMBLY - RUBBER IMPELLER

MATERIAL: SEE DETAILS

DWG. NO. G 3