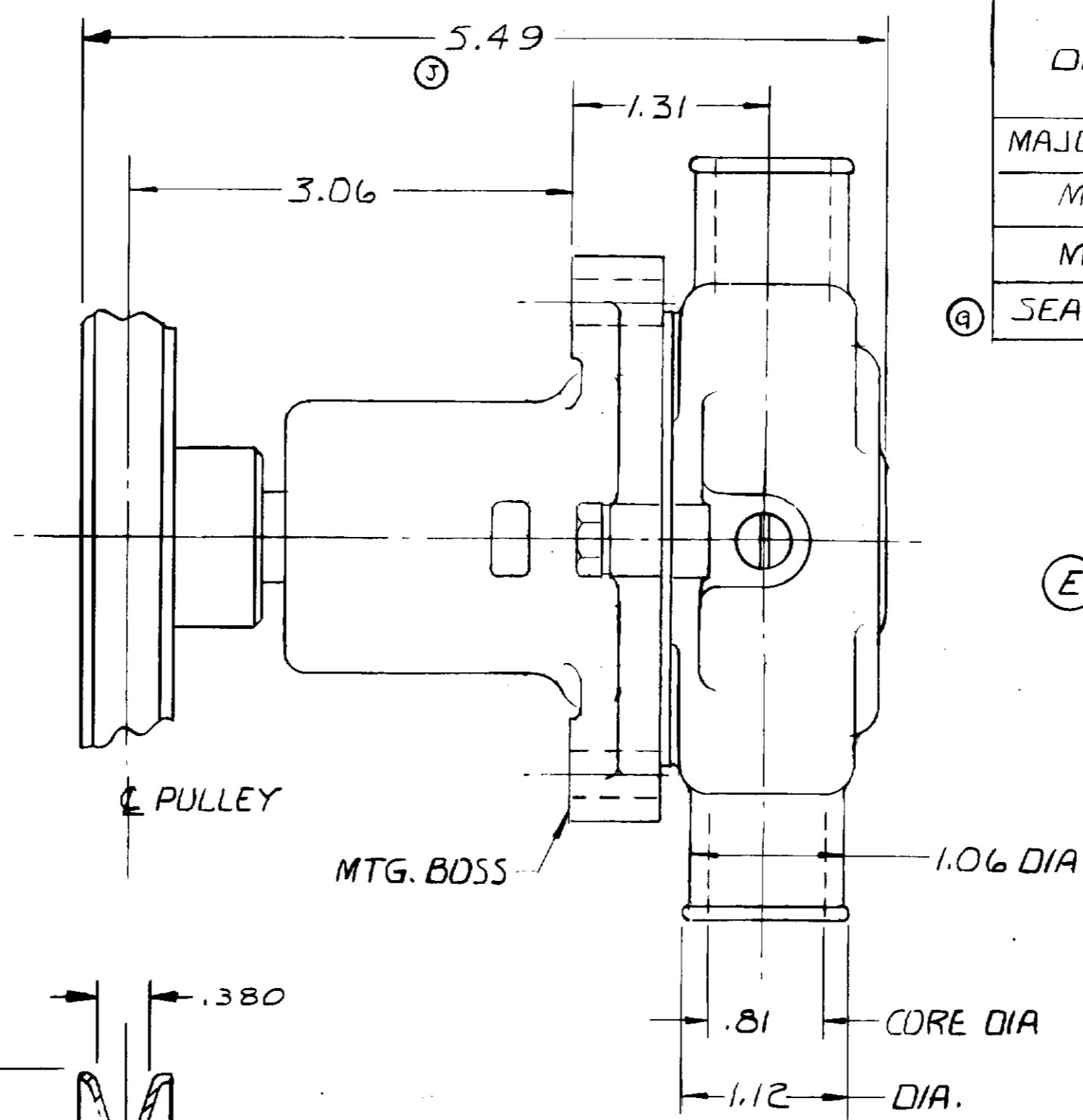


PARTS LIST

ITEM	PART No.	DESCRIPTION	REQ'D
1	19729	PULLEY ASS'Y.	1
2	13363	SHAFT	1
3	4259	RETAINER RING	2
4	5133	SPACER	1
5	12211	BEARING	2
6	12857	SCREW	3
7	P-12710	LOCK WASHER	3
8	12856	END PLATE	1
9	10515	SCREW	1
10	10627	CAM (.182)	1
11	9959	IMPELLER	1
12	4432	KEY DRIVE	1
13	4258	RETAINER RING	3
14	4264	THRUST WASHER	1
15	12303	HOUSING	1
16	12231	"O"RING	1
17	12855	GASKET	1
18	12256	SEAT ASS'Y	1
19	12314	SEAL ASS'Y	1
20	12328	BODY	1
21	13285	TAG-PART NUMBER	1

(B) (C) (H) (I)

(D)



DESCRIPTION	SERVICE KIT No. AND ASSEMBLY No.
MAJOR SERVICE ASS'Y.	13251
MAJOR KIT	12665
MINOR KIT	12399
SEAL & SEAT ASS'Y.	12859

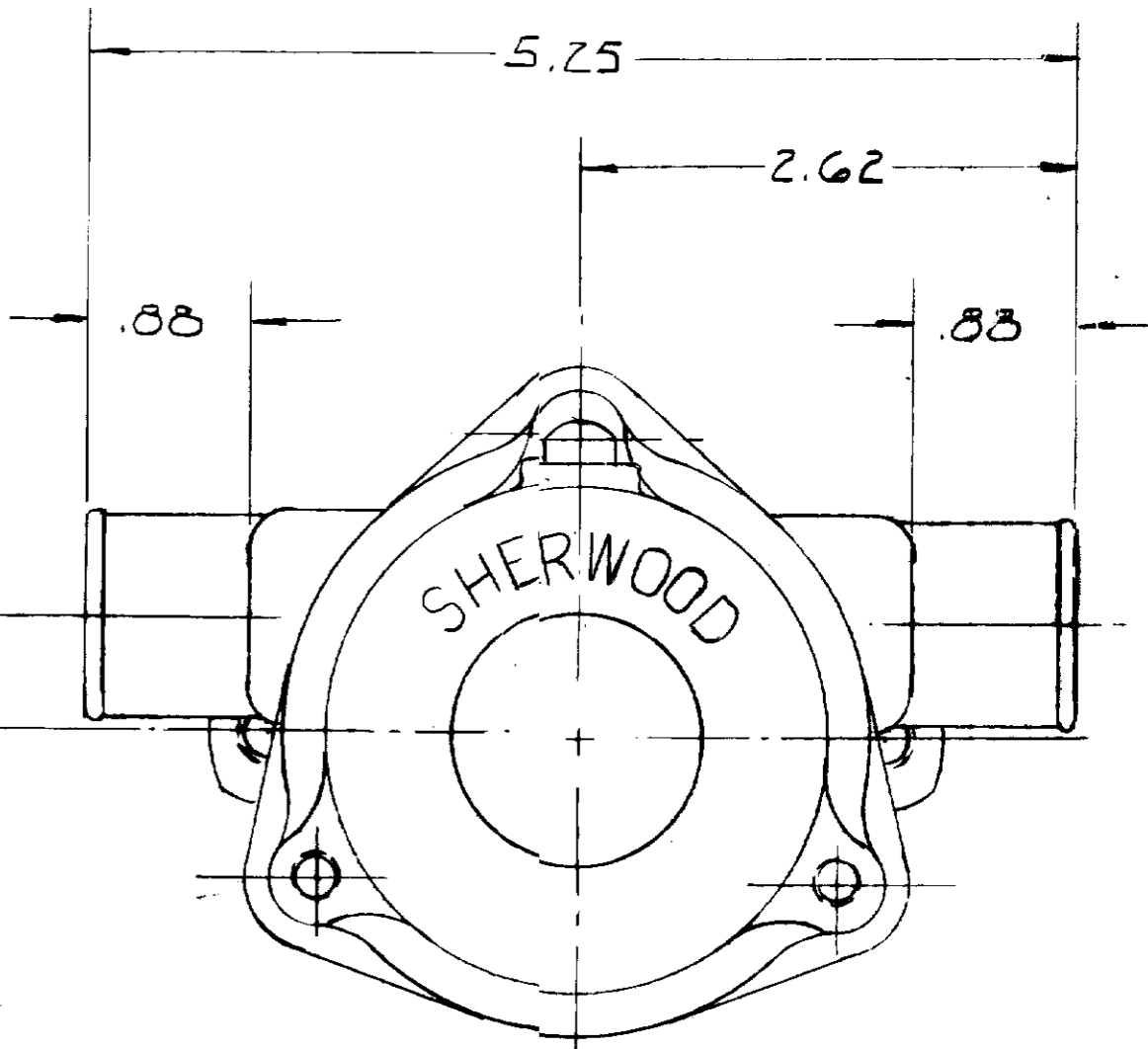
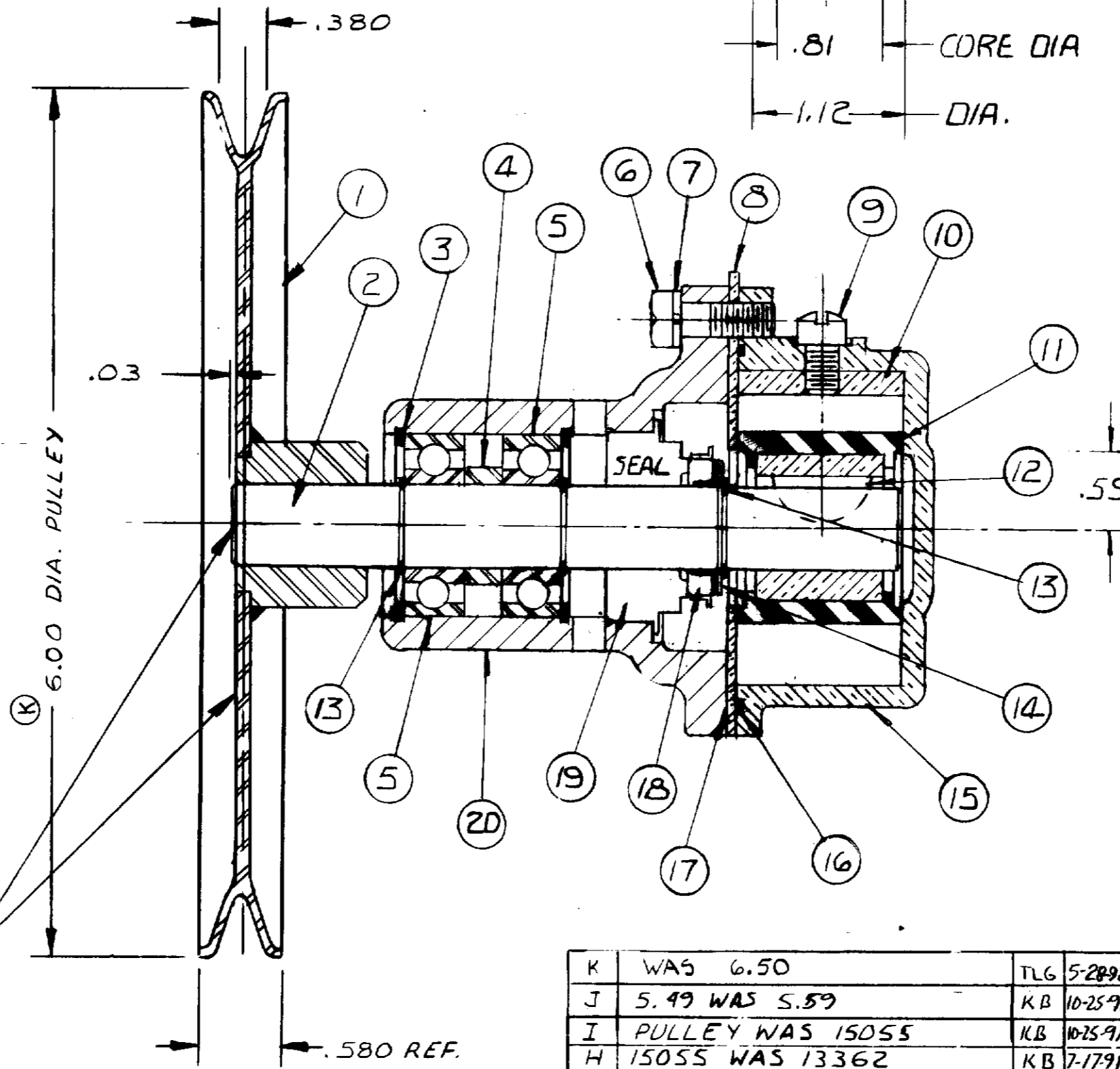
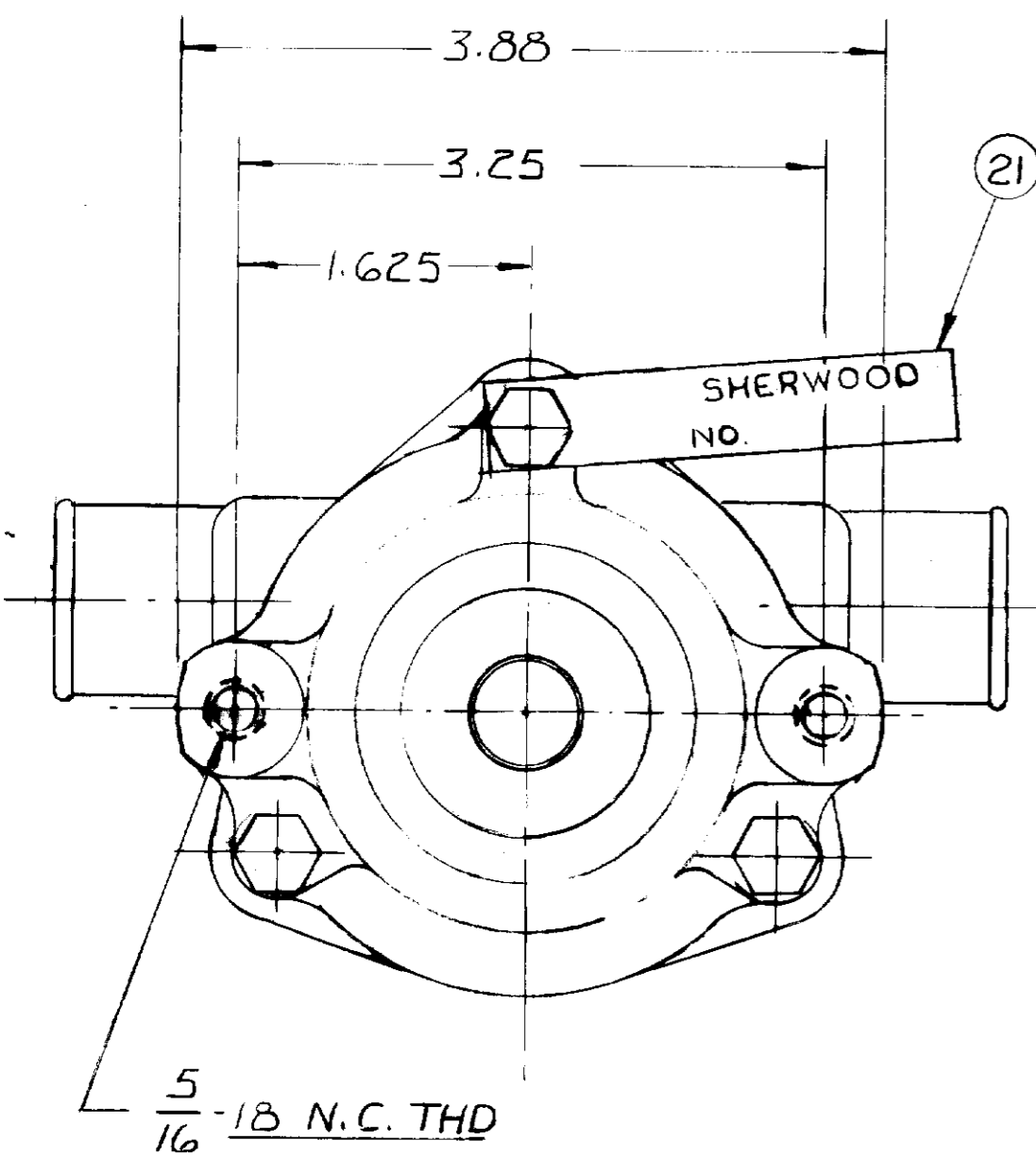
G 21

(E)

PACKAGING:
 No. 11516 PALLET 1 REQ'D
 14120 TUBE CONTAINER 1 REQ'D
 14122 PADS 6 REQ'D
 18025 INSERTS (DIVIDERS) 4 REQ'D
25 PUMPS PER LAYER X 4 LAYERS = 100 PUMPS PER PALLET.

UNIT PACKAGING:
 No. 17636 CARTON W 1 REQ'D
 12209 LABEL 1 REQ'D

(F)



PLEASURE CRAFT No.

TO PROVIDE MAXIMUM SHAFT TO PULLEY BREAK AWAY TORQUE THE SHAFT MUST BE HELD SQUARE WITH THE PULLEY HUB WHEN THEY ARE PRESSED TOGETHER. SHEARING OF METAL WILL REDUCE BREAK AWAY TORQUE

REV	DESCRIPTION	APR	DATE
K	WAS 6.50	TLG	5-28-92
J	5.49 WAS 5.59	KB	10-25-91
I	PULLEY WAS 15055	KB	10-25-91
H	15055 WAS 13362	KB	7-17-91
G	12859 WAS 12322	SH	7-15-90
F	CARTON & LABEL ADDED	SH	9/14/89
E	WAS SHIPPED IN #4 CARTON	RI	10-21-88
D	ITEM 21 (13285) ADDED	RM	4-22-88
C	13362 PULLEY WAS 13854	RM	4-22-88
B	13854 PULLEY WAS 13362	RM	5-21-88
A	G21 PUMP SUPERSEDES 600	AM	1-15-88

FLOW CURVE 7201DR-72D11R

UNLESS OTHERWISE SPECIFIED TOLERANCE TO BE:
 CAST DIMENSION ± .020
 MACHINED DIMENSION FRACTIONAL ± .010 DECIMAL ± .005
 Holes ± .12
 MACHINED SURFACE FINISHNESS ALLOW 1/16 STOCK ON ALL FINISHES SURF. AS FOR MACHINING
 BREAK ALL SHARP EDGES TO MIN. R GAS FILLETS R10 R20 R1.5 TO

SHERWOOD
 A DIVISION OF HYPRO CORPORATION
 8331 E. JEFFERSON AVE. • DETROIT, MICHIGAN 48207

DATE	CHECKER	DATE	DATE

TITLE: **PUMP ASS'Y - RUBBER IMPELLER**

MATERIAL: _____

G 21

PROJ 359