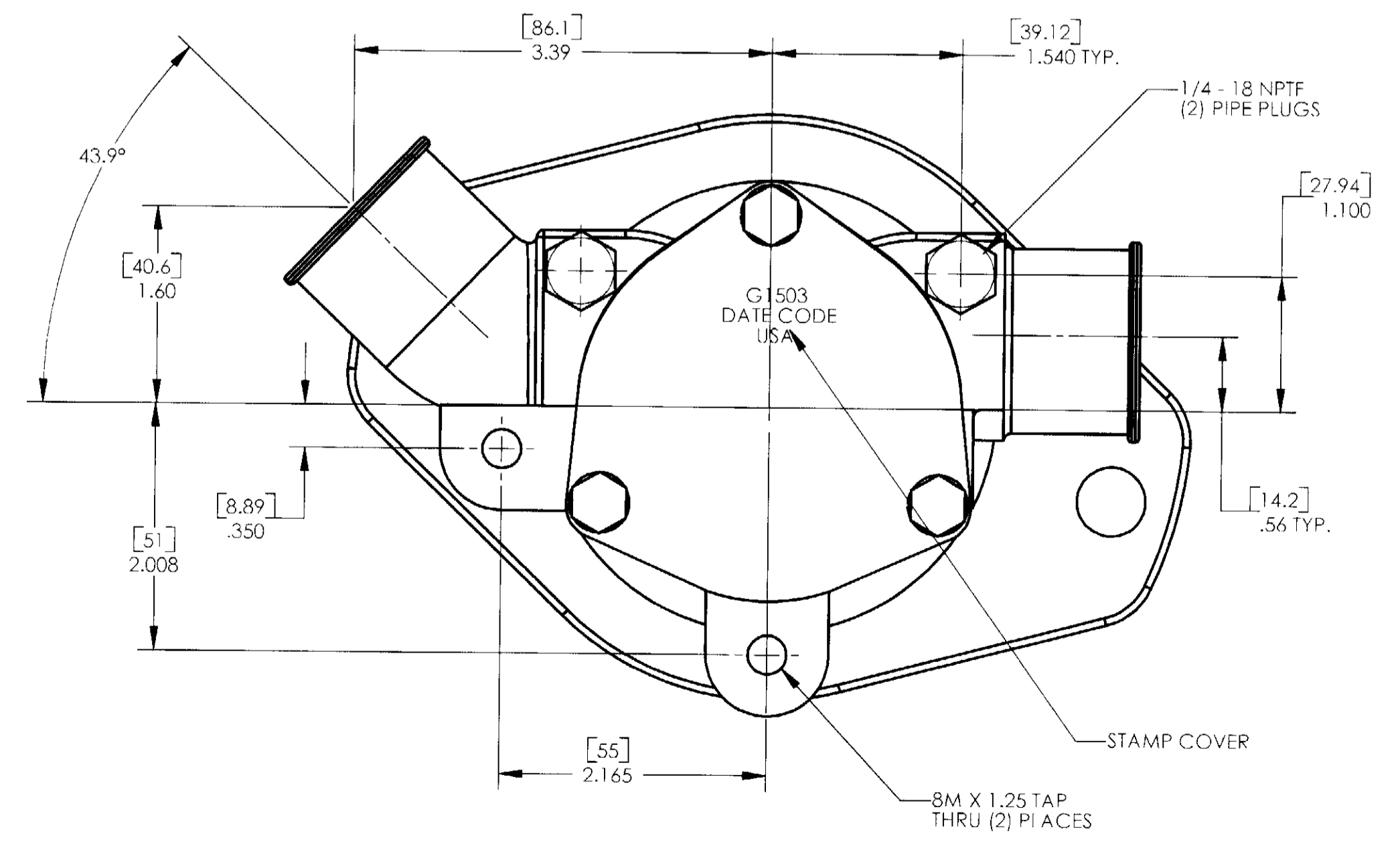
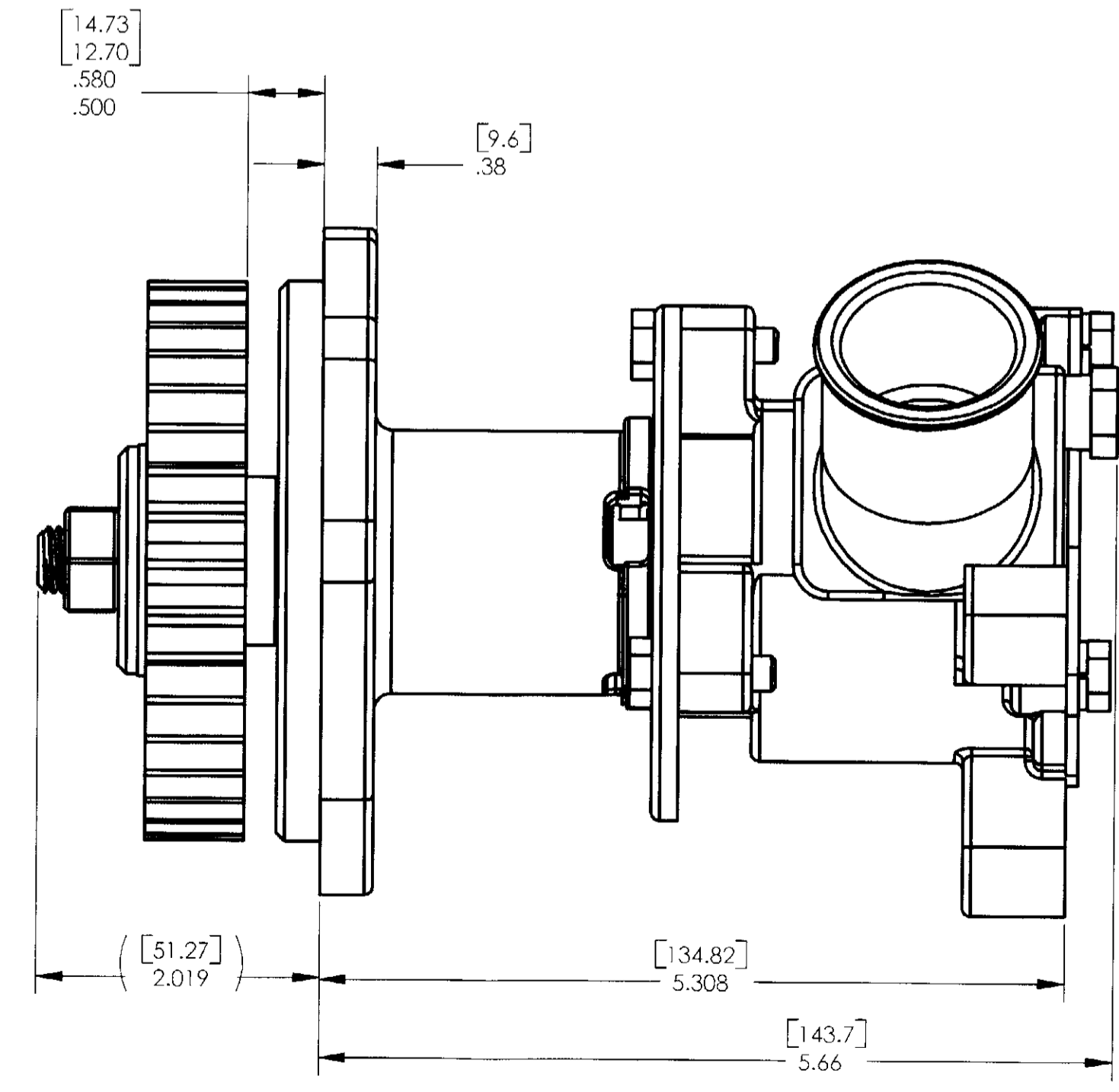
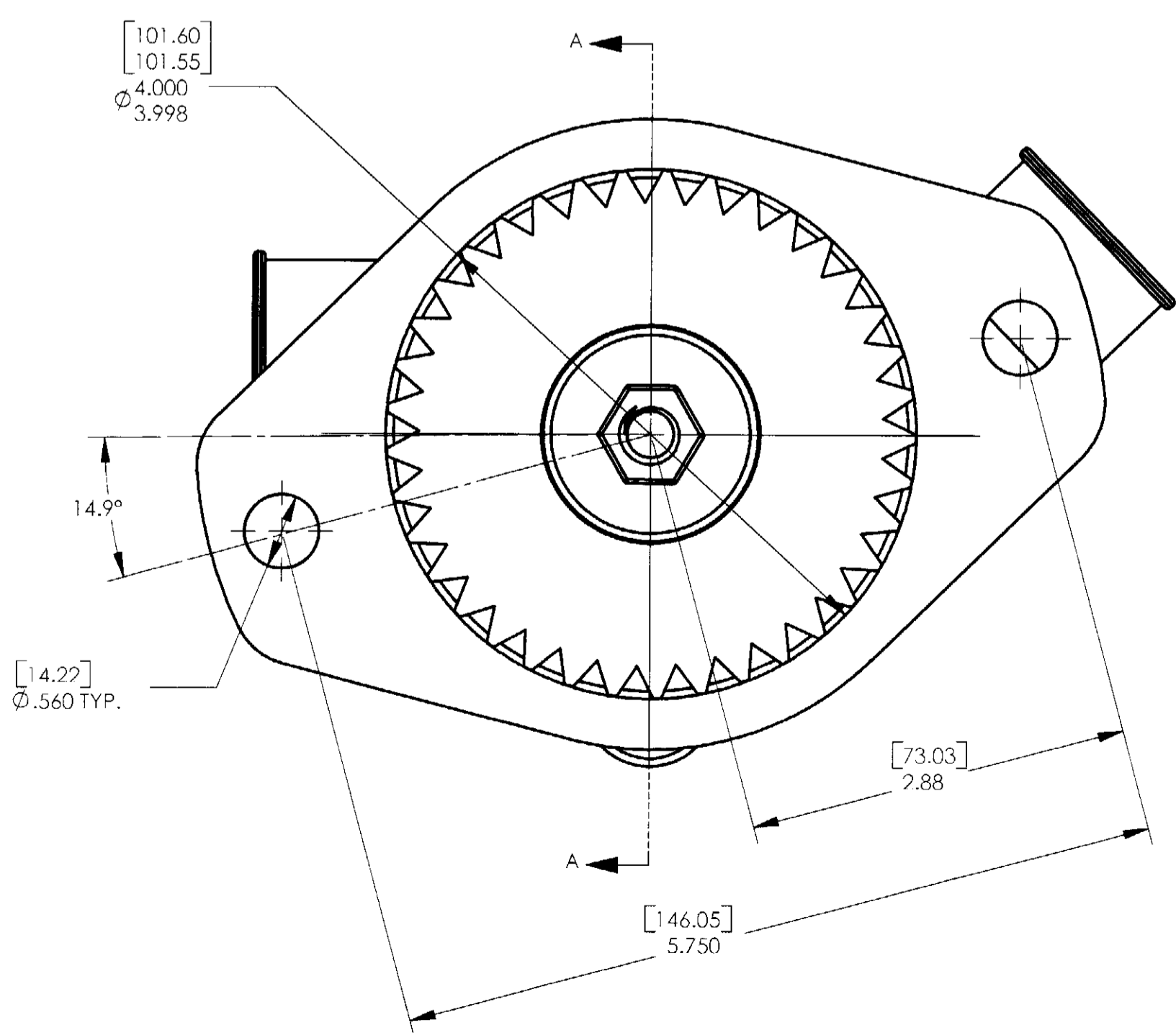
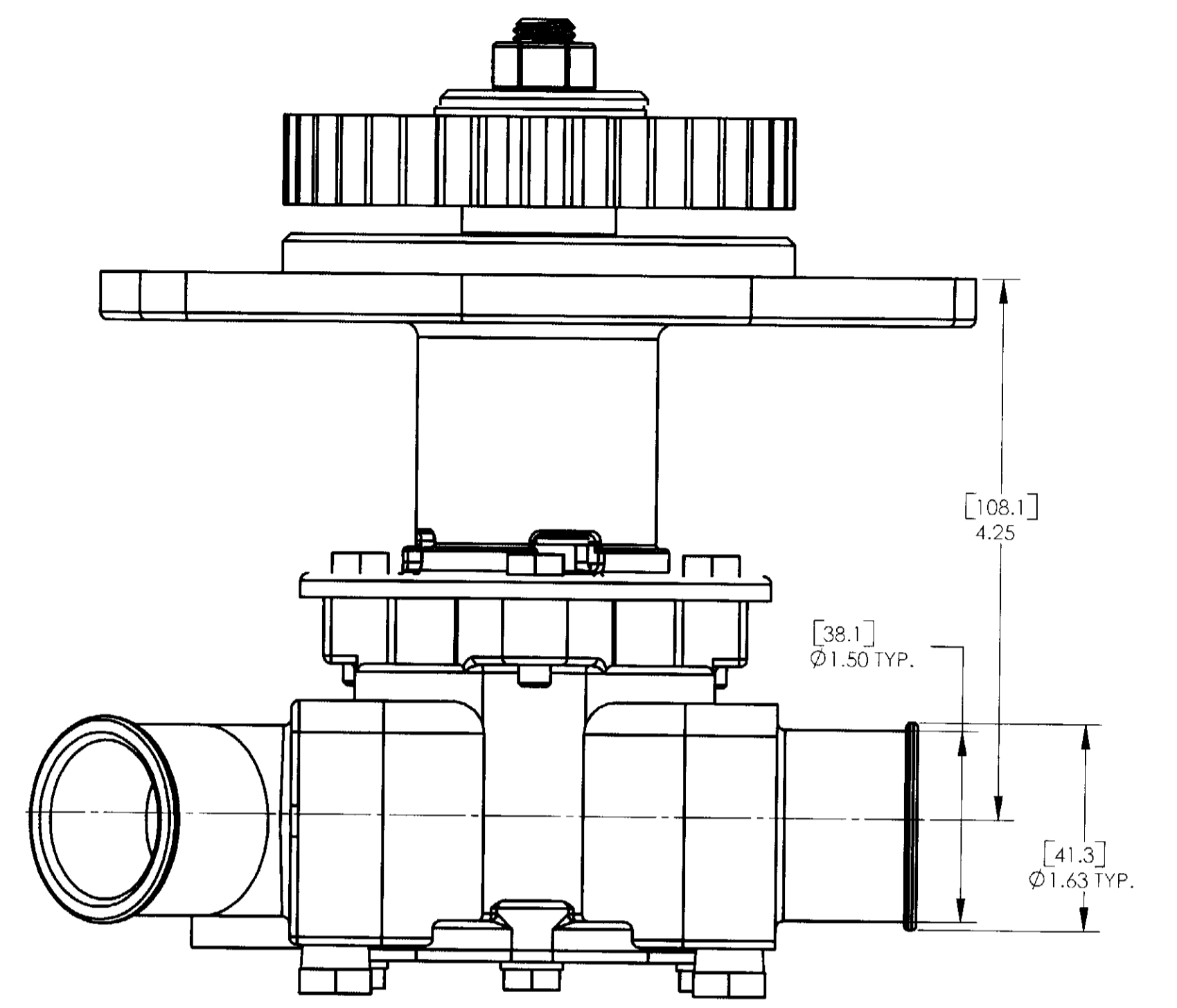
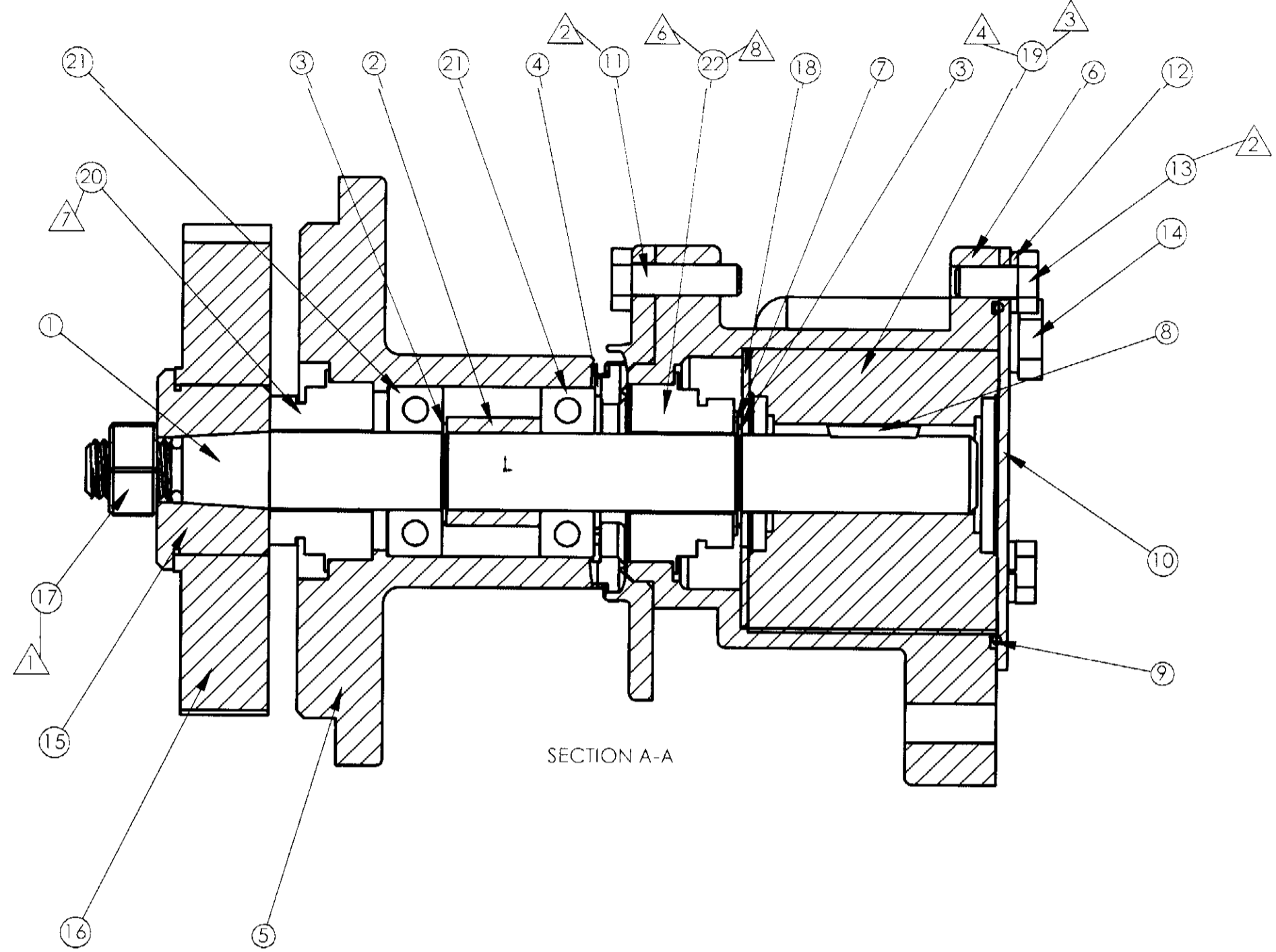


THIS DRAWING IS THE PROPERTY OF SHERWOOD HYDRO CORPORATION. IT IS TO BE KEPT IN CONFIDENCE AND NOT TO BE REPRODUCED OR TRANSMITTED IN ANY FORM OR BY ANY MEANS, ELECTRONIC OR MECHANICAL, INCLUDING PHOTOCOPYING, RECORDING, OR BY ANY INFORMATION STORAGE AND RETRIEVAL SYSTEM.

### PART LIST

ITEM NO.	QTY.	PART NO.	DESCRIPTION
1	1	23228	SHAFT
2	1	23229	SPACER
3	2	4258	EXT. RET. RING
4	1	4259	INT. RET. RING
5	1	23231	BODY
6	1	23230	HOUSING
7	1	4264	WASHER
8	1	4432	KEY
9	1	12231	O-RING
10	1	21173	COVER PLATE
11	3	12857	HEX HEAD BOLT
12	3	12710	LOCK WASHER
13	3	1482	HEX HEAD BOLT
14	2	339	PIPE PLUG
15	1	19998	INSERT-GEAR
16	1	22494	GEAR-STEEL
17	1	19883	NUT
18	1	22836	WEAR PLATE
19	1	15000	IMPELLER
20	1	12966	MECHANICAL SEAL ASSY (VITON)
21	2	12211	BEARING
22	1	12859	MECHANICAL SEAL ASSY (BUNA)
23			
24	SERV.	23232	MINOR SERVICE KIT
25	SERV.	23233	MAJOR SERVICE KIT
26	SERV.	23256	COMPLETE SERVICE KIT

NOTE:  
 1) APPLY LOCTITE #262 TO SHAFT (1) THREADS. NUT (17) TORQUE TO 35 FT-LBS.  
 2) SCREWS (11 & 13) TORQUE TO 5-8 FT-LBS.  
 3) USE SILICON LUBRICANT ON IMPELLER (19) FOR EASE OF ASSEMBLY.  
 4) INSERT IMPELLER (19) IN A CCW ROTATION LOOKING AT COVER (10) SIDE OF PUMP.  
 5) STATIC TEST PUMP FOR 1 FAKS 15-45 PSI.  
 6) MECHANICAL SEAL (20 & 22) MUST BE INSTALLED USING PAC-EASE OR EQUIVALENT LUBRICANT.  
 7) ITEM (20), MUST BE INSTALLED IN THIS (BODY) LOCATION. VITON SEAL HAS GREEN DOT.  
 8) ITEM (22), MUST BE INSTALLED IN THIS (HOUSING) LOCATION.



SHERWOOD A DIVISION OF HYDRO CORPORATION		PROJECT # 1231	
TLG 09 10 97		RUBBER IMPELLER PUMP	
G1503			

REV	DESCRIPTION	FCN	APPR	DATE
A	WAS (2) 12966 MECHANICAL SEALS		TLG	09-23-97