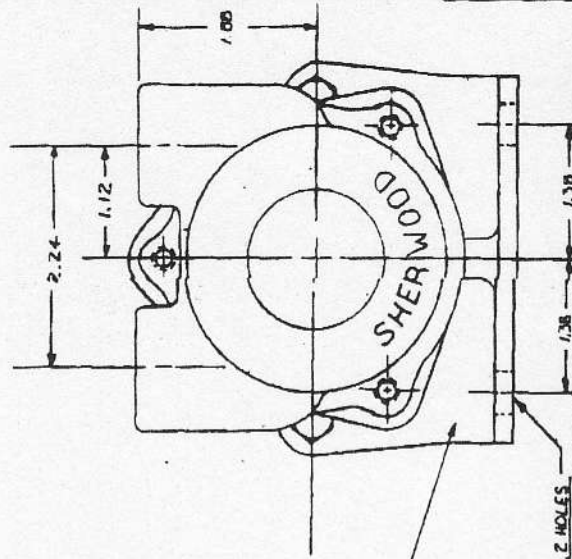
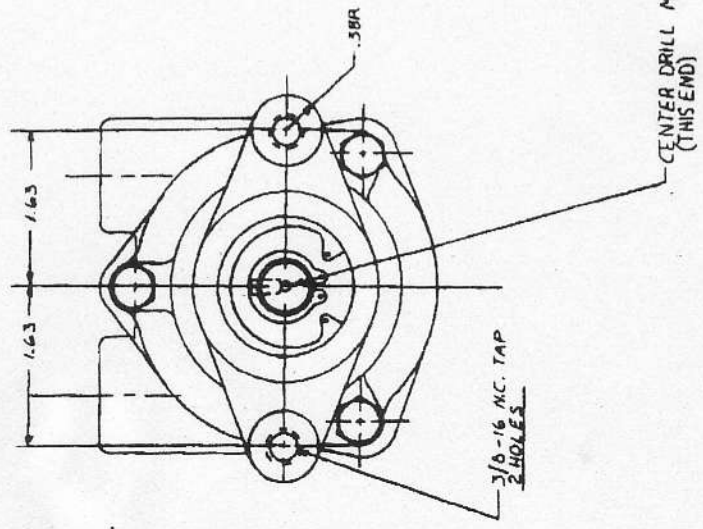
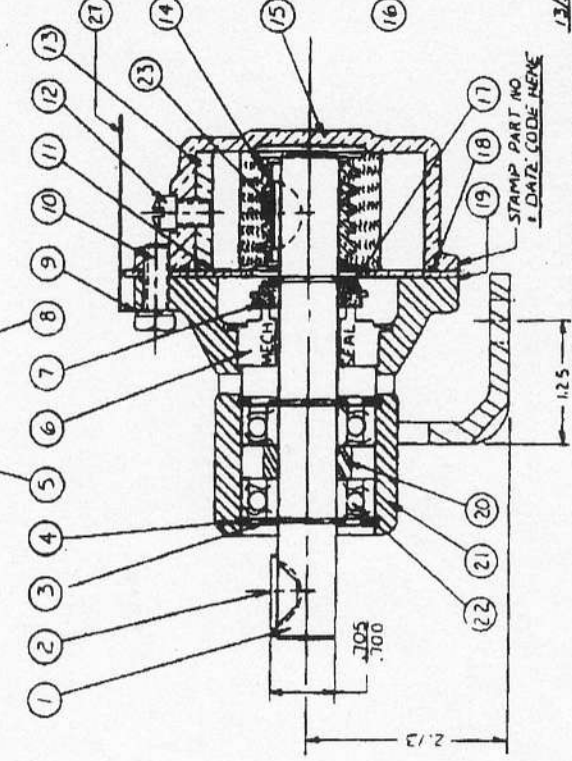
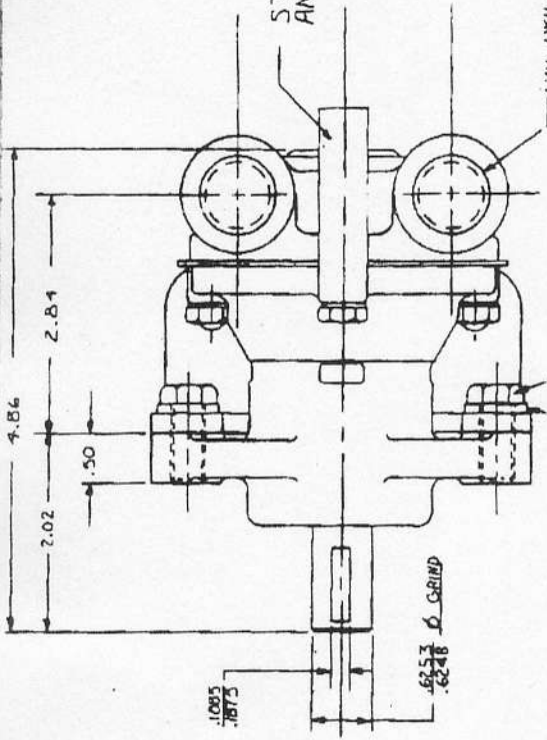


PARTS LIST

ITEM	PART NO.	DESCRIPTION	REGD.
1	21578	SHAFT	1
2	18576	NO. 9 MON-ROE KEY	1
3	4258	ALT. PUMP EXT.	3
4	4259	ACT. RING INT.	2
5	4891	3/8 STD. LOCK WASHER	2
6	12314	MECH. SEAL	1
7	12236	SEAL SEAT	1
8	10633	CAP SCREW 3/8-16 x 3/4	2
9	P-12110	1/4 LIGHT LOCK WASHER	3
10	12857	CAP SCREW 1/4-20 x 3/4	3
11	12856	END PLATE	1
12	10195	SCREW 1/4-20 x 3/8	1
13	18663	CAM (183)	1
14	9000	IMPELLER	1
15	18451	HOUSING	1
16	12593	MOUNTING BRACKET	1
17	4264	THRUST WASHER	1
18	12231	WASHER	1
19	12853	GASKET	1
20	3153	SPACER BRG.	1
21	12227	BODY	1
22	12211	BALL BRG.	2
23	4432	NO. 9 WOODRUFF KEY	1
24	14986	JEFF BAG NO. 4	1
25	17644	CARTON-N	1
26	12209	LABEL	1
27	15285	TAG	1

SERVICE	COMPONENT
ASSY NO. 5	ITEM NO. 5
SEAL & SEAT	617
ASSY NO. 2859	
MAJOR REPAIR KIT NO.	
MAJOR REPAIR KIT NO.	

STAMP MODEL NO.
AND DATE CODE



SHERWOOD
A DIVISION OF HYDRO CORPORATION
1014 WEST 23RD AVENUE
DENVER, COLORADO 80202

DATE: 6-15-68
DRAWN: [Blank]
CHECKED: [Blank]
APPROVED: [Blank]

PUMP ASSEMBLY - RUBBER IMPELLER

SEE DETAILED DRAWINGS FOR MATERIAL SPECIFICATIONS

UNLESS OTHERWISE SPECIFIED:
CAST DIMENSIONS ± .02
MILL DIMENSIONS ± .005
MACH STOCK SURFACE FINISH UNLESS INDICATED OTHERWISE
HOLE DIA. H9/D9 UNLESS OTHERWISE SPECIFIED
SURFACE ROUNDOFFS
ANGLES - IF NOT OTHERWISE SPECIFIED
DIMENSIONS ARE UNLESS OTHERWISE SPECIFIED
TOLERANCES ARE AS SHOWN
CONCENTRICITY AND ROUNDNESS AS SHOWN

REV.	DESCRIPTION	DATE	APP.	DATE