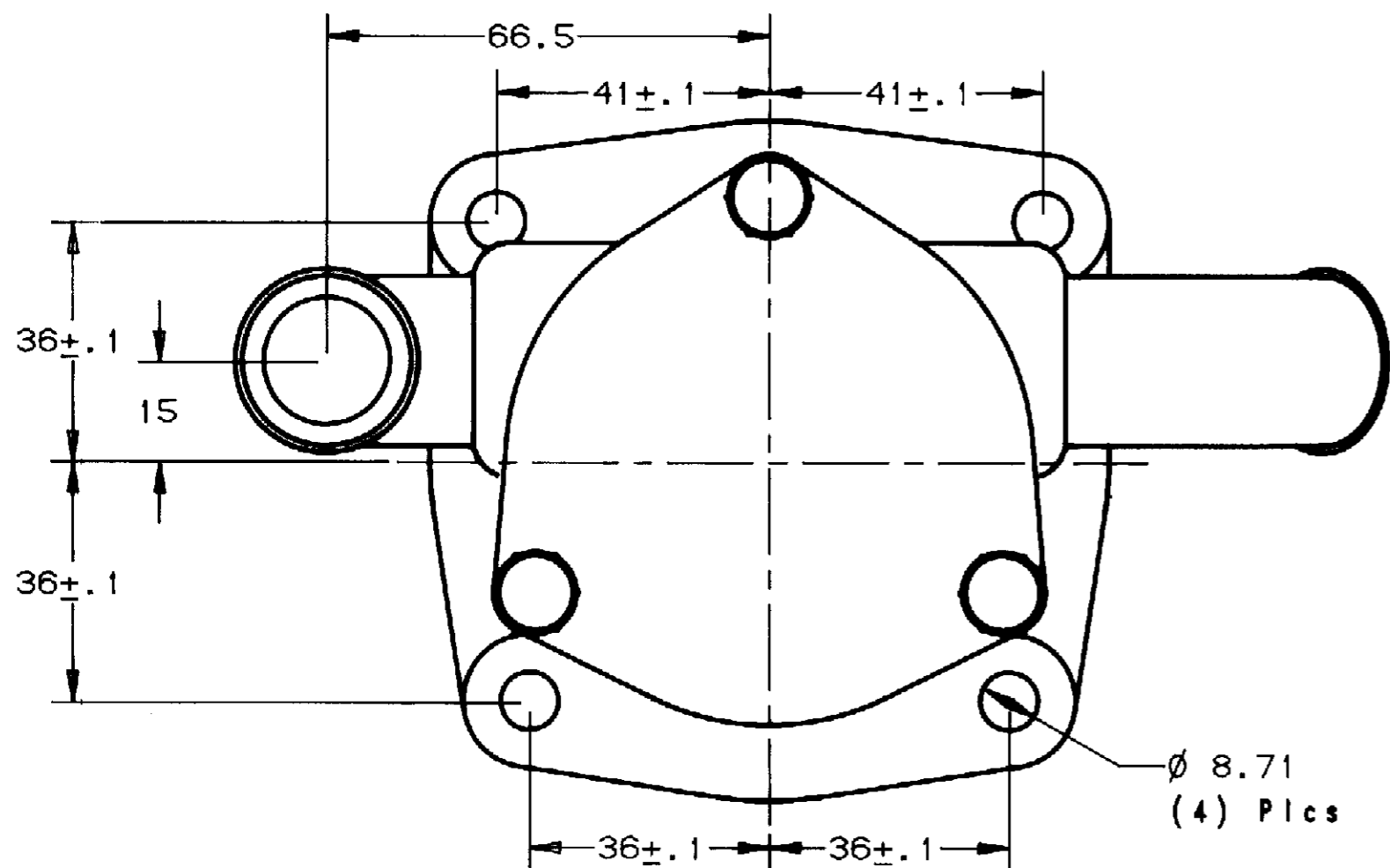
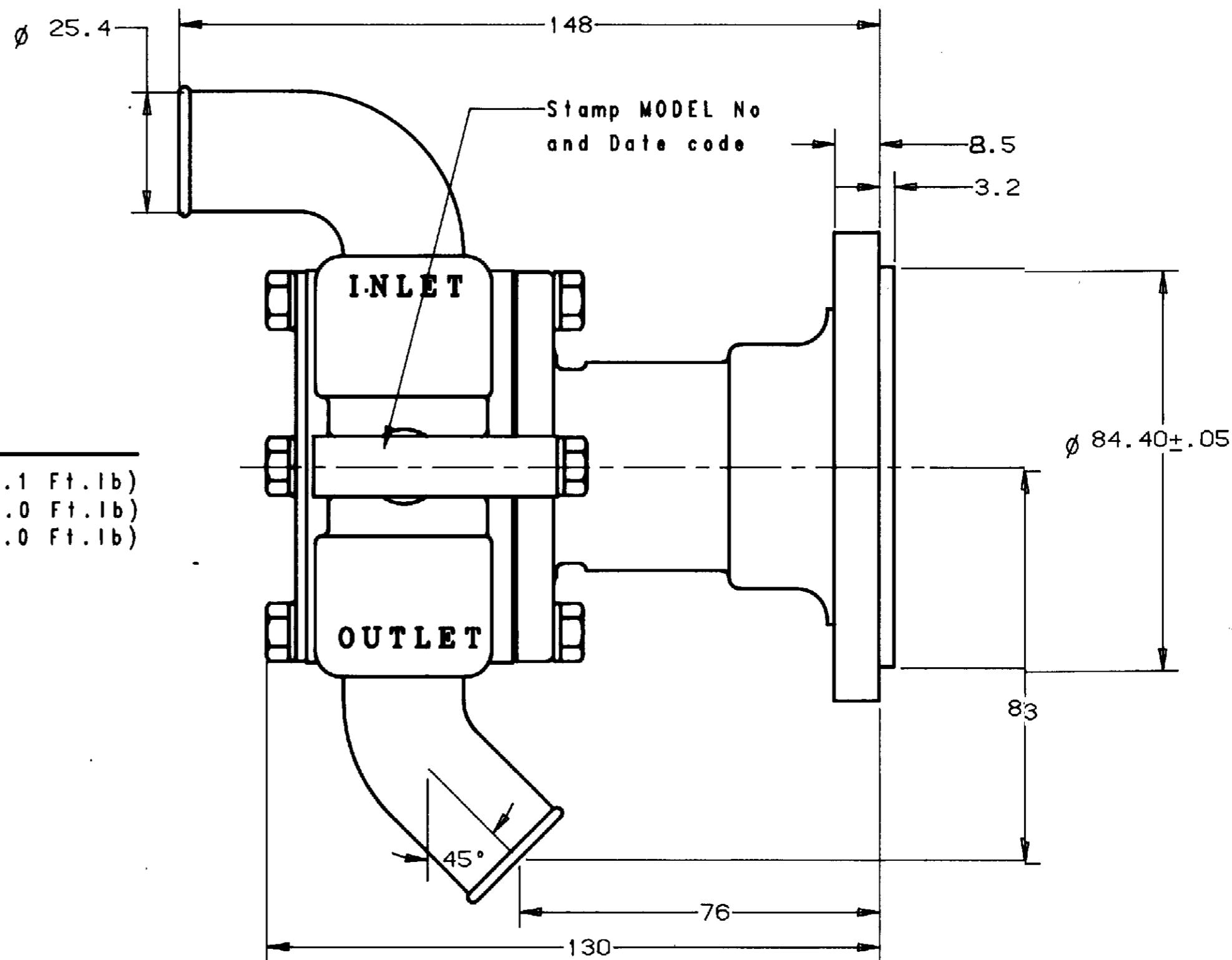


**PARTS LIST**

ITEM	PART No.	DESCRIPTION	QTY
01	21150	HOUSING	1
02	10929	CAM	1
03	13285	TAG	1
04	19996	SEAL WASHER	1
05	19995	CAM SCREW	1
06	12857	HEX HD. BOLT 1/4-20x7/8	3
07	12710	LOCKWASHER - 1/4	6
08	21209	LIP SEAL	1
09	12211	BEARING	2
10	4259	INT. RET. RING	2
11	21122	BODY	1
12	21208	LIP SEAL	1
13	4258	EXT. RET. RING	1
14	21163	WEAR PLATE	1
15	10615	IMPELLER (NO LUB. SLOTS)	1
16	4432	KEY	1
17	12231	O-RING	2
18	21173	COVER	1
19	19297	HEX HD. BOLT 1/4-20x1/2	3
20	21207	SHAFT	1
21			
22			
23	17653	BAG	1
24	17659	CARTON	1
25	12209	LABEL	1
26			
27	22013	MINOR SERVICE KIT	SERV.
28	22014	MAJOR SERVICE KIT	SERV.

**TORQUE VALUES**

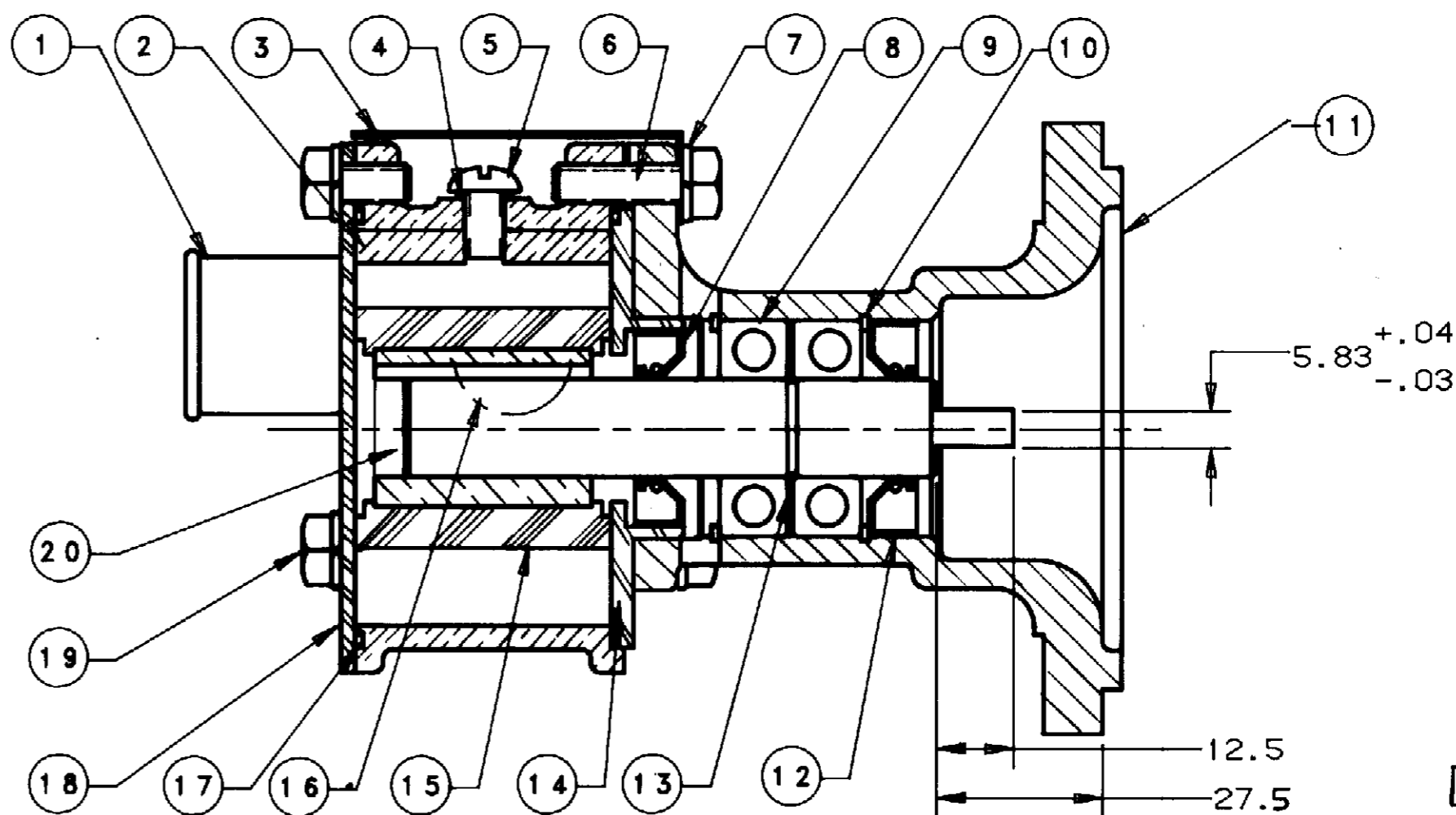
DET.No 5	6.9 N.m (5.1 Ft. lb)
DET.No 6	6.8 N.m (5.0 Ft. lb)
DET.No 19	6.8 N.m (5.0 Ft. lb)



**Notes:**

1) Details No 6 are to be tightened in an even manner, resulting in a consistent gap between Detail No 12 and Detail No 1.

⚠ USE IMPELLER WITH NO LUBRICATION SLOTS ONLY.



METRIC

REV	DESCRIPTION	APPR	DATE

UNLESS OTHERWISE SPECIFIED  
 CAST DIMENSIONS ± .02  
 FILLETS & RADII .06  
 FINISH STOCK .07  
 MACHINING TOLERANCE, INCHES  
 XX ± .01, XXX ± .005  
 SURFACE ROUGHNESS √  
 ANGLES ± 0° 30'  
 CORNER BREAKS .01 MAX.

⊥ FLATNESS .0015 IN/IN  
 ⊥ SQUARENESS .0015  
 ⊙ CONCENTRICITY .002  
 ○ ROUNDNESS .0005  
 ↗ RUNOUT .002

**SHERWOOD**  
 A DIVISION OF HYPRO CORPORATION  
 8331 E. JEFFERSON AVE. - DETROIT, MICHIGAN 48207

DRAFTSMAN	DATE	CHECKER	DATE	ASSY. NO.
TLG	3-2-95			

TITLE: RUBBER IMPELLER PUMP ASSEMBLY

MATERIAL: SEE DETAILS DWG. NO. G1005