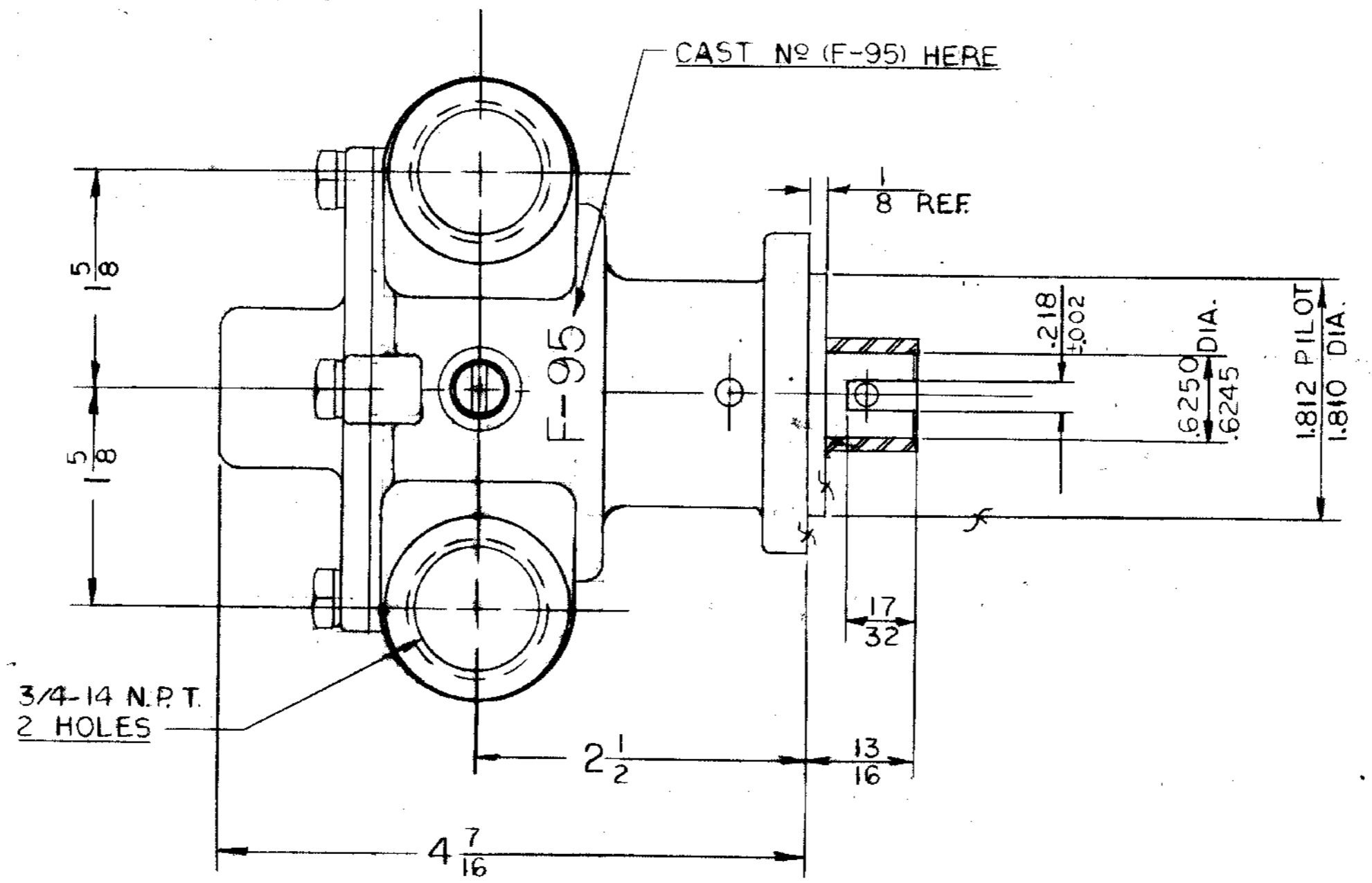


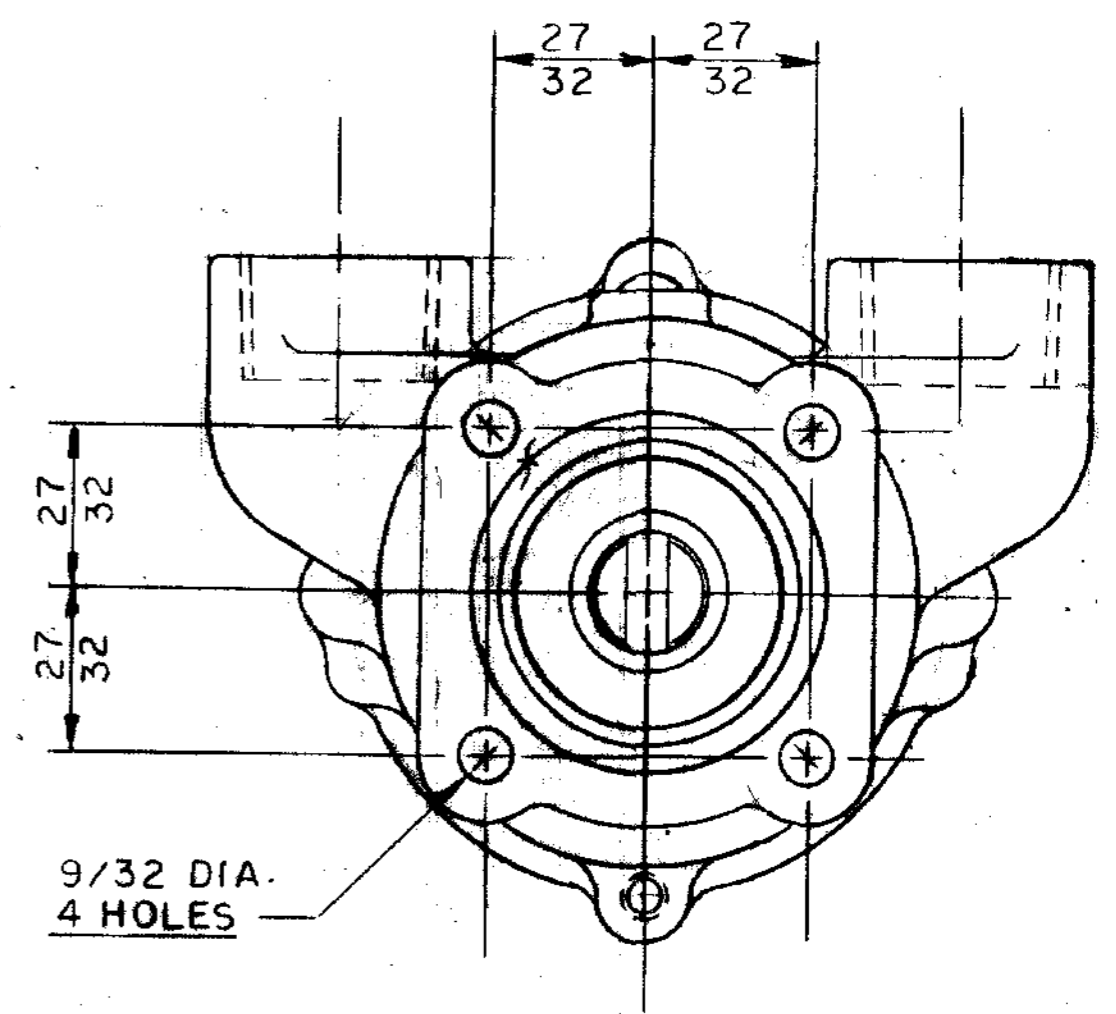
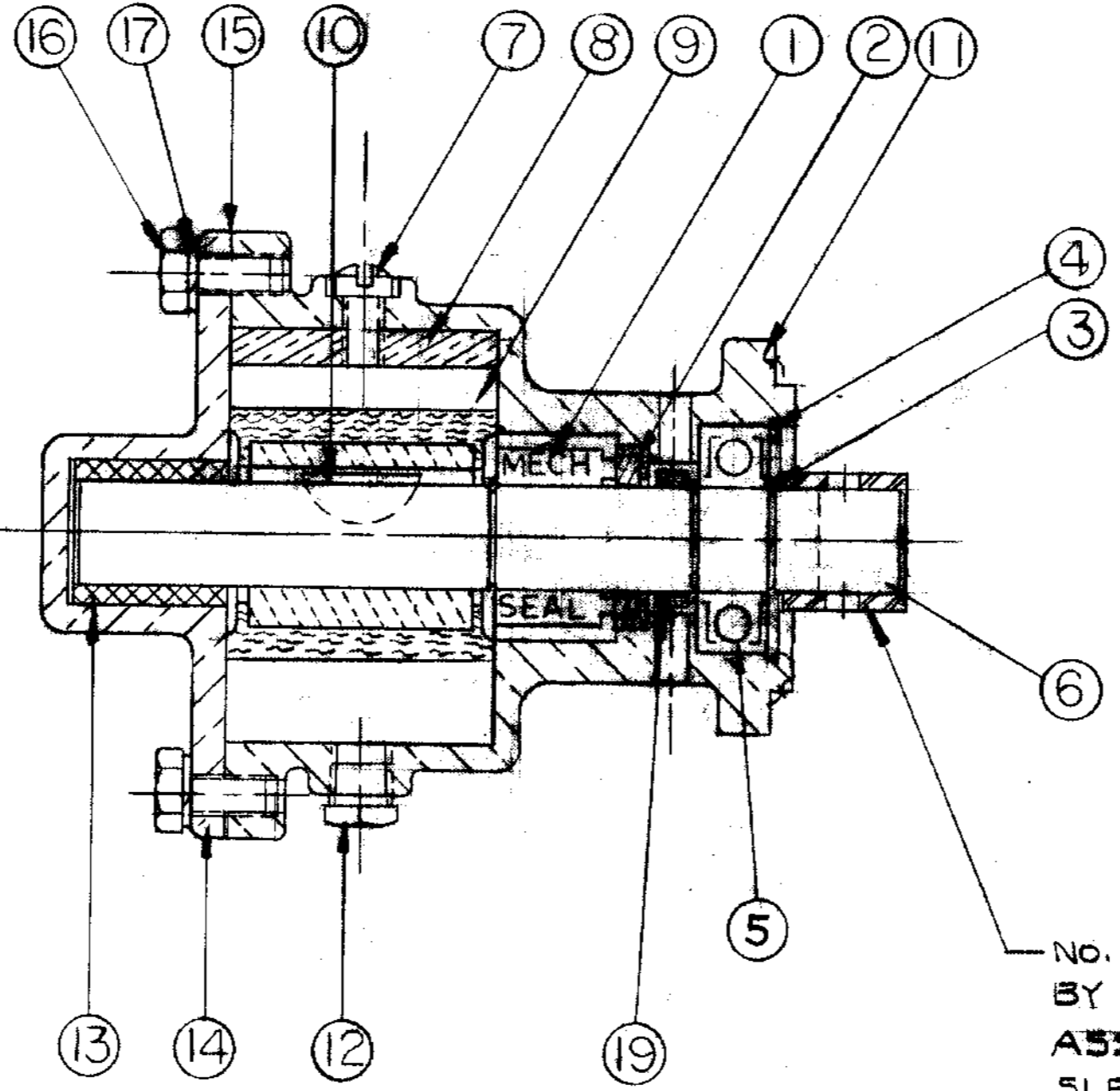
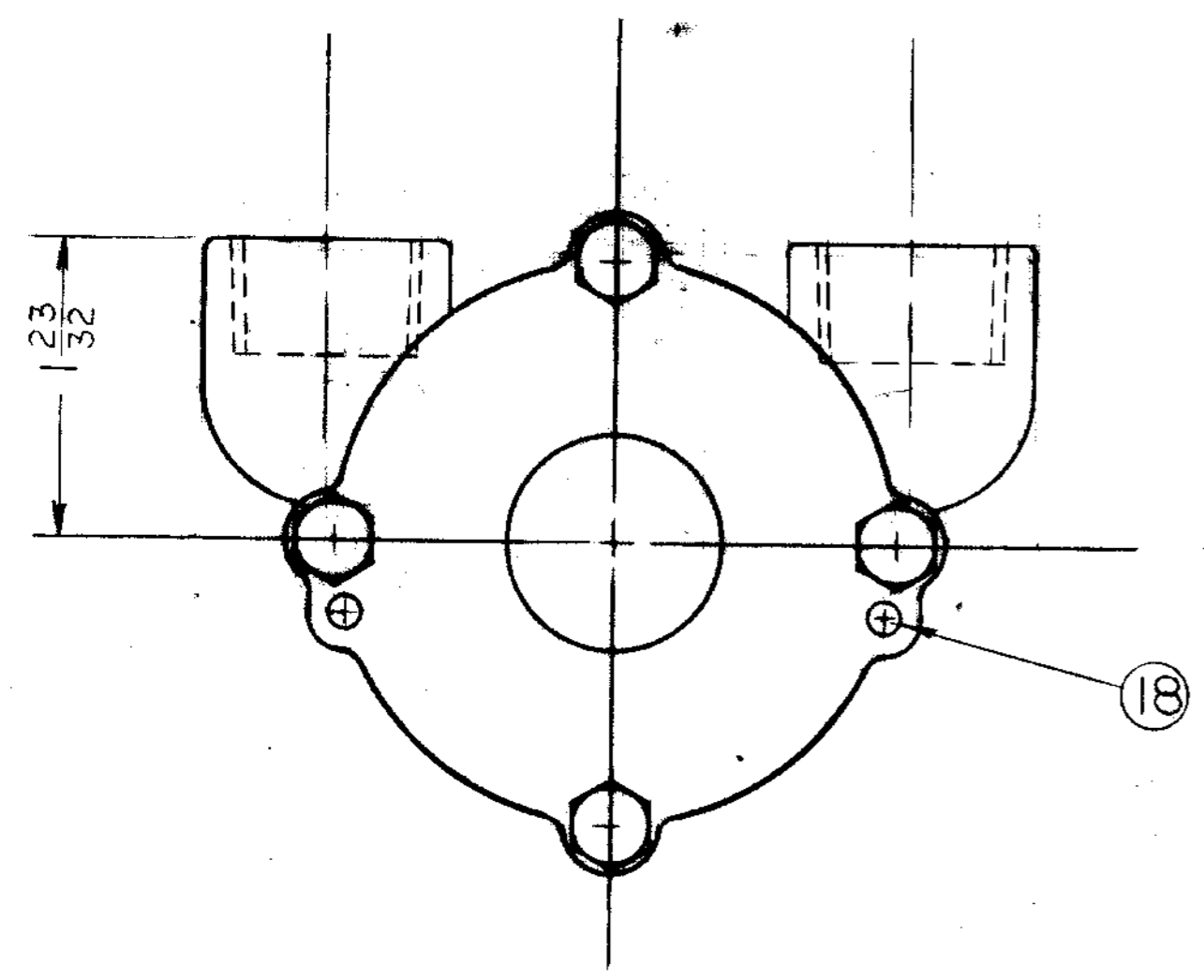
PARTS LIST

ITEM	PART NO	DESCRIPTION	REQ'D
1	18743	MECH SEAL	1
2	10926	SEAL SEAT	1
3	4258	RET RING	3
4	4259	RET RING	1
5	21972	BALL BRG	1
6	12226	SHAFT	1
7	10515	SCREW 1/4-20	1
8	10929	CAM	1
9	10615	IMPELLER	1
10	4432	DRIVE KEY	1
11	12225	BODY	1
12	336	DRAIN PLUG	1
13	6333-G	BUSHING	1
14	10182	COVER	1
15	10931	GASKET	1
16	1482	CAPSCREW 1/4-20	4
17	12710	LOCKWASHER	4
18	1311	DOWEL PIN	2
19	7070	SLINGER	1
20	17644	CARTON M	1
21	12209	LABEL	1
22	14474	JIFFY BAG NO 3	1

(G)
(B)
(E)



3/4-14 N.P.T.
2 HOLES



NO. 12509 SLEEVE FURNISHED BY WESTERBEKE THEIR NO. 12209 ASSEMBLED BY SHERWOOD SLEEVE MUST BE FLUSH WITH END OF SHAFT & THE 3/4 HOLES PARALLEL WITH THE SLOT AS SHOWN

SERVICE KIT

KIT	PART NO	ITEM NOS
MAJOR	12333	1-2-3-4-5-6-9-10-13-15-16-17 & 19
MINOR	12344	1-2-3-5-9 & 15

(C)

CURVE NO. 77021 R

G	WAS 4257	TLG	H7-95
F	SEAL WAS 10523	KB	9-1489
E	10929 WAS 10944	RM	12-5-71
D	12509 SLEEVE ADDED	RM	9/13/71
C	SERVICE KIT ADDED		NO 20 72
B	ITEM 6 REVISED	RM	8-23-72
A	PICTURE CHANGED	PJL	2/2/72

SHERWOOD
A DIVISION OF HYPRO CORPORATION
8891 E. JEFFERSON AVE. • DETROIT, MICHIGAN 48207

TITLE: ASSEMBLY IMPELLER PUMP
SCALE: FULL
DRAWN: PJL
CHECKED: RM

DATE: 12-23-71

SEE DETAILS

PROJ 179