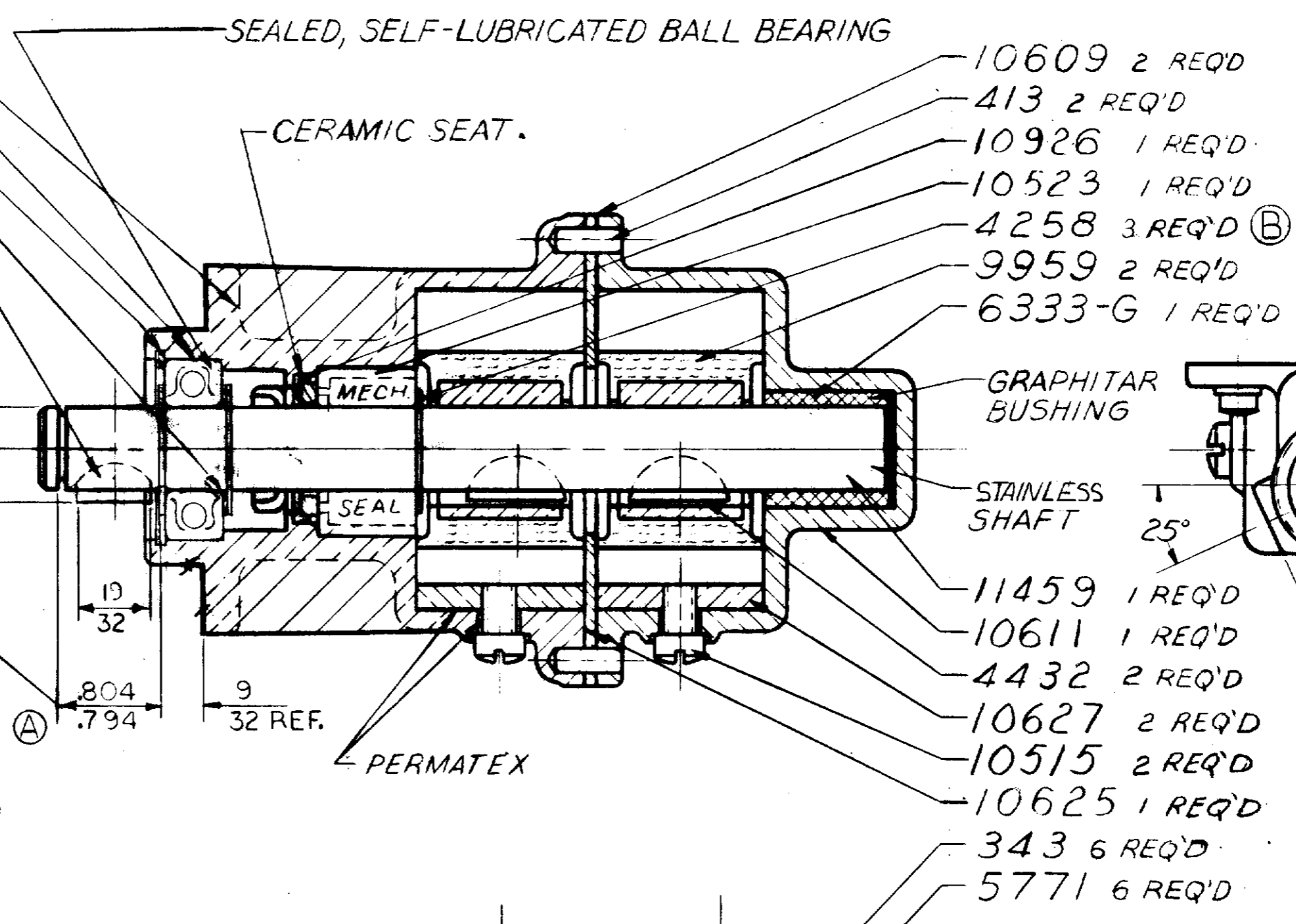


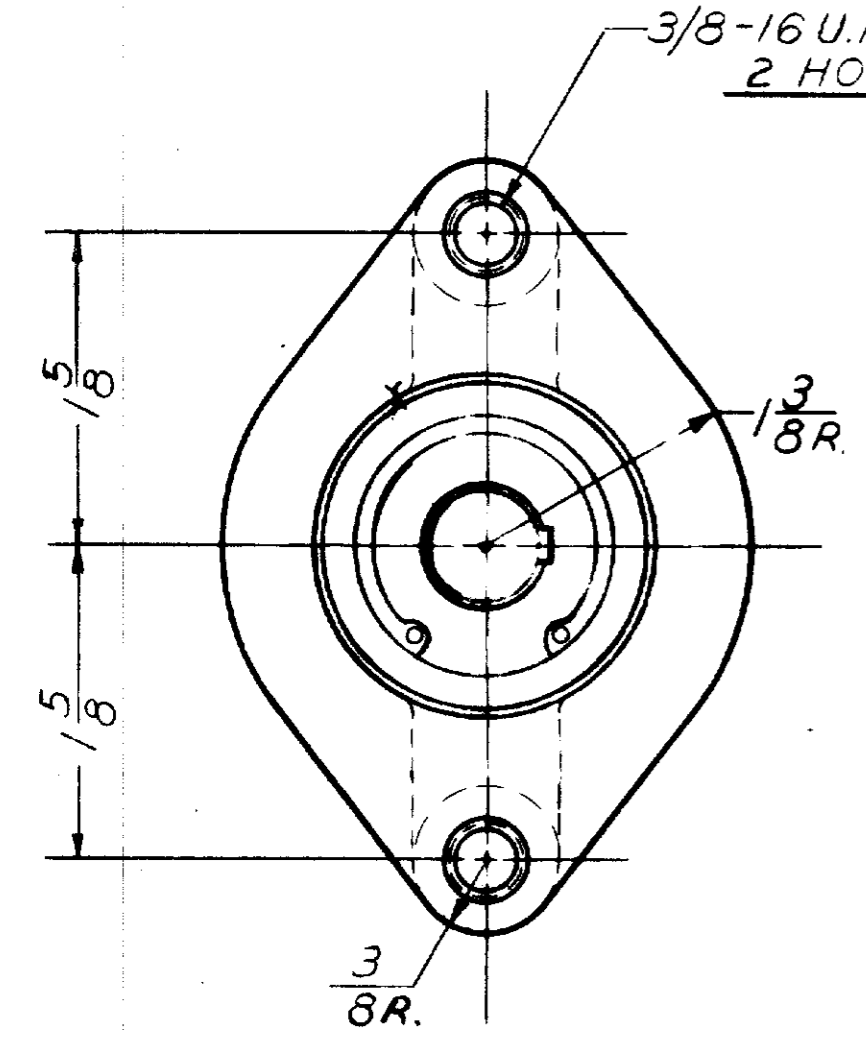
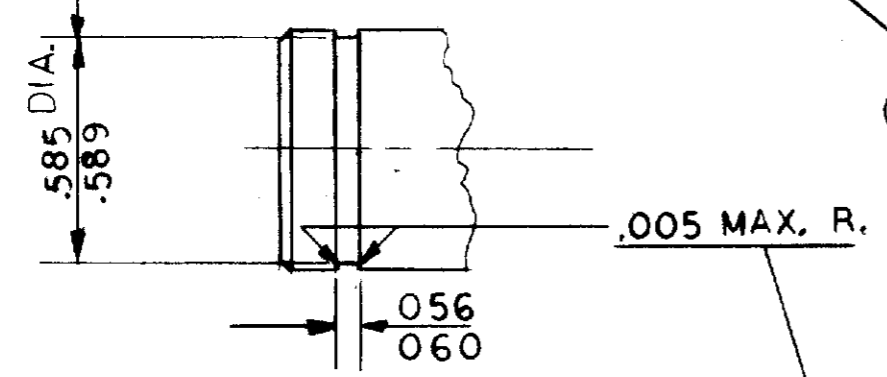
SERVICE PART NO.	COMPONENT PART NO'S	NO. REQ'D
11458	11454	1
BODY	413	2
10619	10611	1
COVER	6333-G	1
10927	10523	1
SEAL & SEAT	10926	1
MAJOR REPAIR KIT # 12300 ©		
MINOR REPAIR KIT # 10656 ©		

- 11454 1 REQ'D
- 4257 1 REQ'D
- 4259 1 REQ'D
- 11456 1 REQ'D

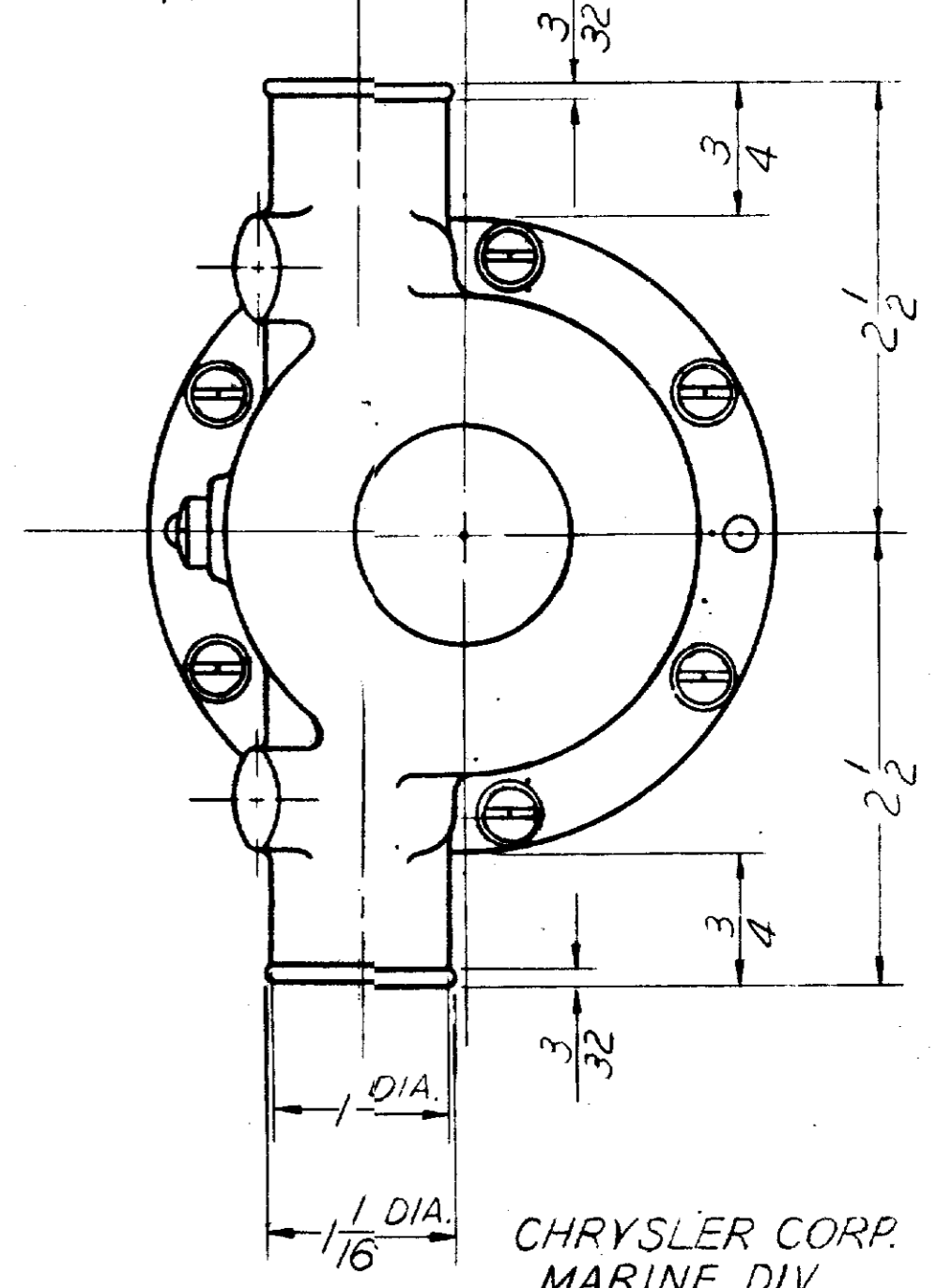
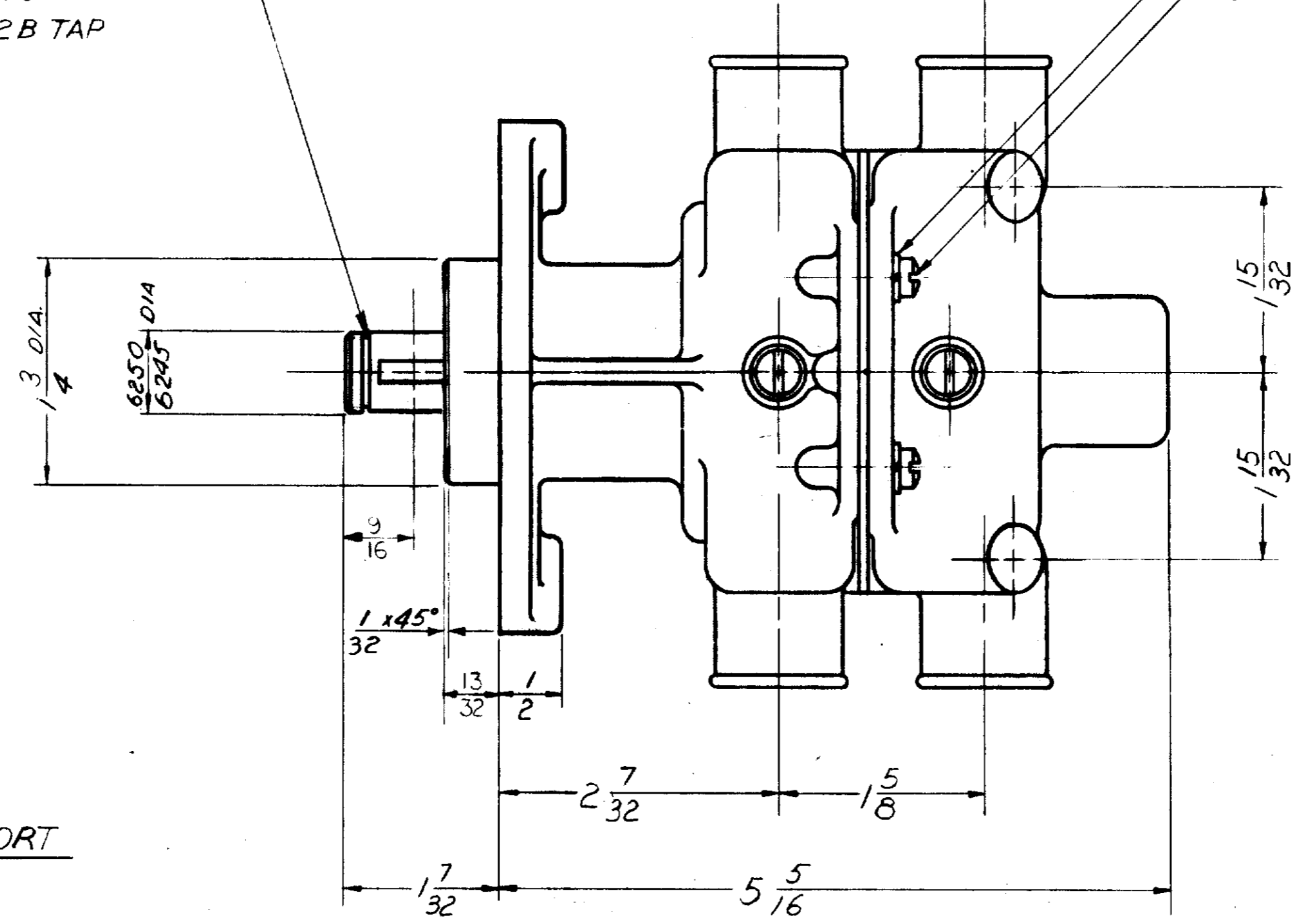
11515 1 REQ'D
MODIFIED No 9 WOODRUFF KEY



THIS DIA. MUST BE CONCENTRIC WITH .6245/.6250 DIA. WITHIN .002 FIR



CAPACITY
20.0 G.P.M. @ 3600 R.P.M., EACH PORT



CHRYSLER CORP.
MARINE DIV.
No 2847631

CURVE NO. 75008R

- (G) FOR SERVICE:
PACKAGE THIS PUMP ASSEMBLY IN A
Y BOX 1 REQ'D
2 JIFFY BAG 1 REQ'D
12209 LABEL 1 REQ'D
- (H) # 1347Z SERVICE BULLETIN 1 REQ'D

FLOW CURVE REF. G-30

H	NO. 1347Z SERVICE BULLETIN ADDED	RI	2-1-82
G	PACKAGING NOTE ADDED	RM	7-31-78
F	10656 KIT REVISED	RM	10-20-71
E	12300 KIT ADDED	RM	10-20-71
D	NOTES ADDED	RM	7/24/73
C	MAJOR SERVICE KIT ADDED	RM	4-24-72
B	WAS 2 REQ'D	T.J.	10/23/69
A	WAS 7/8 TO INNER RACE	PIL	4/1/69

DO NOT SCALE DRAWING
PLUS OR MINUS .005
ALLOWED ON FRACTIONAL
DIMENSIONS. ALL HOLES
AND SHARP CORNERS TO
BE BURNED .005 TO .01
CORNERS AND FILLETS
TO BE 1/16R. UNLESS
OTHER SPECIFIED

SHERWOOD
A DIVISION OF HYPO CORPORATION
8321 E. JEFFERSON AVE. - DETROIT, MICHIGAN 48207

IMPELLER PUMP ASS'Y

SCALE: FULL

DATE: 6-18-68

DATE: 6-28-68

REF: # N-10390-C

MAT'L: SEE DETAILS

PART NO. D-65

PROJECT N9C-71