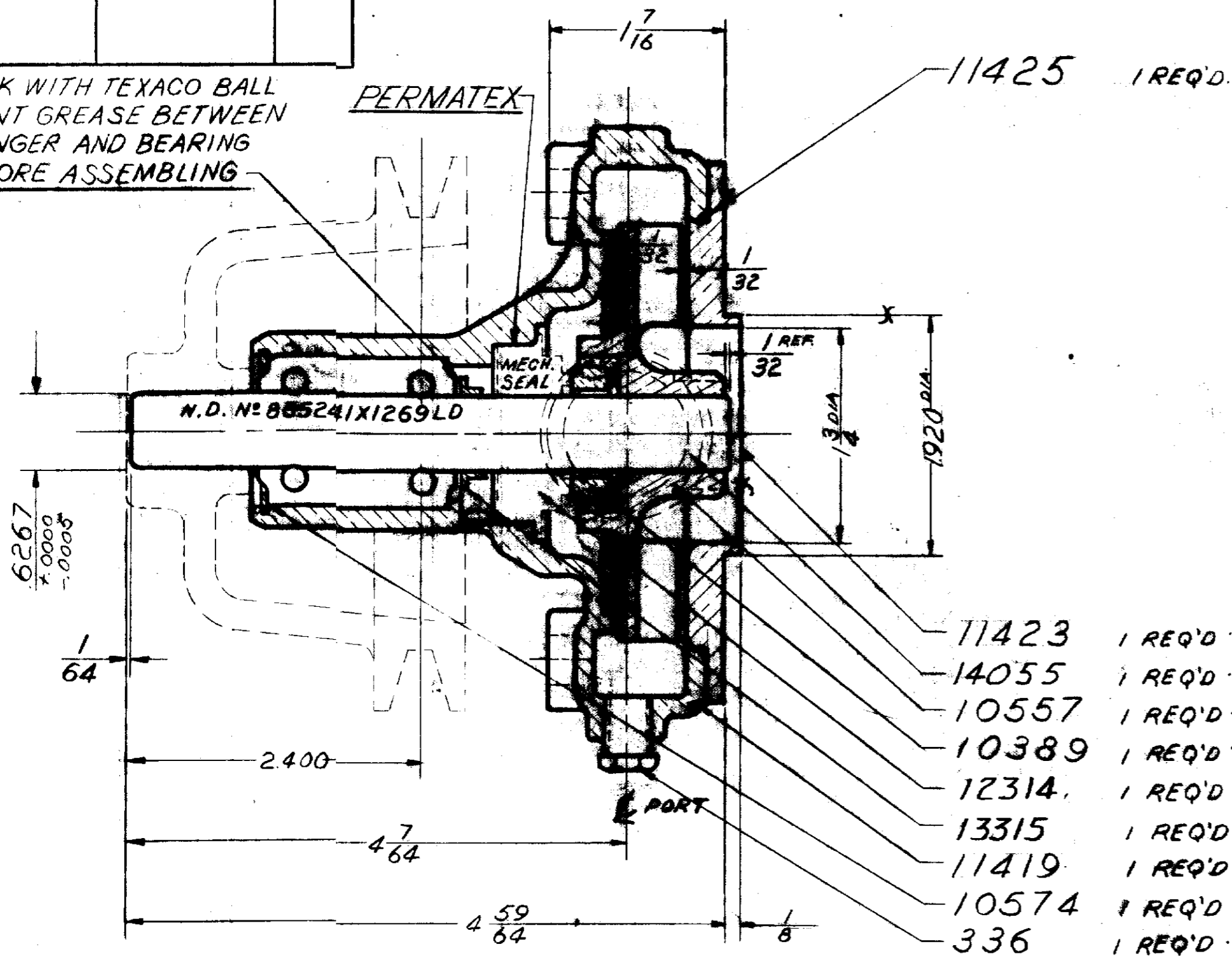


COUNTER-CLOCKWISE ROTATION
(VIEW FROM PULLEY END)

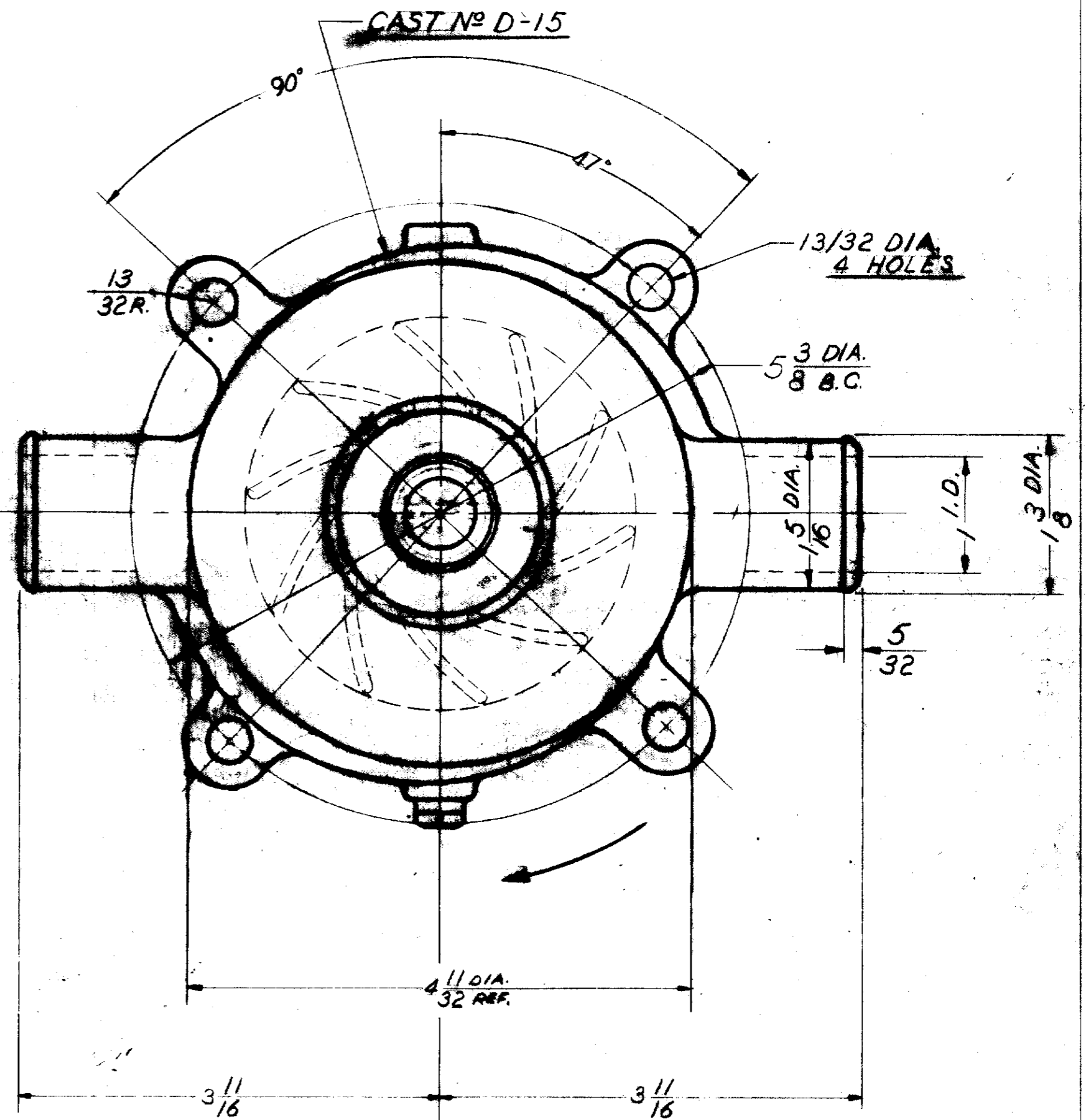
SERVICE PART NO.	COMPONENT PART NO'S	NO. REQ'D
10577	12314	1
SEAL & SEAT	10389	1

PACK WITH TEXACO BALL JOINT GREASE BETWEEN SLINGER AND BEARING BEFORE ASSEMBLING

PERMATEX



CAPACITY
30 G.P.M. EACH PORT
15 P.S.I. @ 4000 R.P.M.



© PACKAGING:
 CARTON 17636 1 REQ'D
 LABEL 12209 1 REQ'D
 JIFFY BAG #5 17653 1 REQ'D

CURVE NO. 68009

REV.	DESCRIPTION	CHK	DATE
C	CARTON & LABEL ADDED	SW	9/1/69
B	14055 MALS 11420		3-4-68
A	NOTE REMOVED	WA	7/24/70

DO NOT SCALE DRAWING
 PLUS OR MINUS .005 ALLOWED ON FRACTIONAL DIMENSIONS. ALL HOLES AND SHARP CORNERS TO BE BURRED .005 TO .010 CORNERS AND FILLETS TO BE BERR. UNLESS OTHERWISE SPECIFIED.

SHERWOOD A DIVISION OF HYDRO CORPORATION 6801 E. JEFFERSON AVE. • DENVER, COLORADO 80221		TITLE IMPELLER PUMP ASS'Y		MATERIAL SEE DETAILS	
SCALE	FULL	REQ'D.		PART NO.	D-15
DRAWN	B.P.	DATE	1-11-68		
CHECKED	A.V.B.	DATE	1-15-68		
APPROVED		REV.	N-10460		

PROJECT # 68009