

①

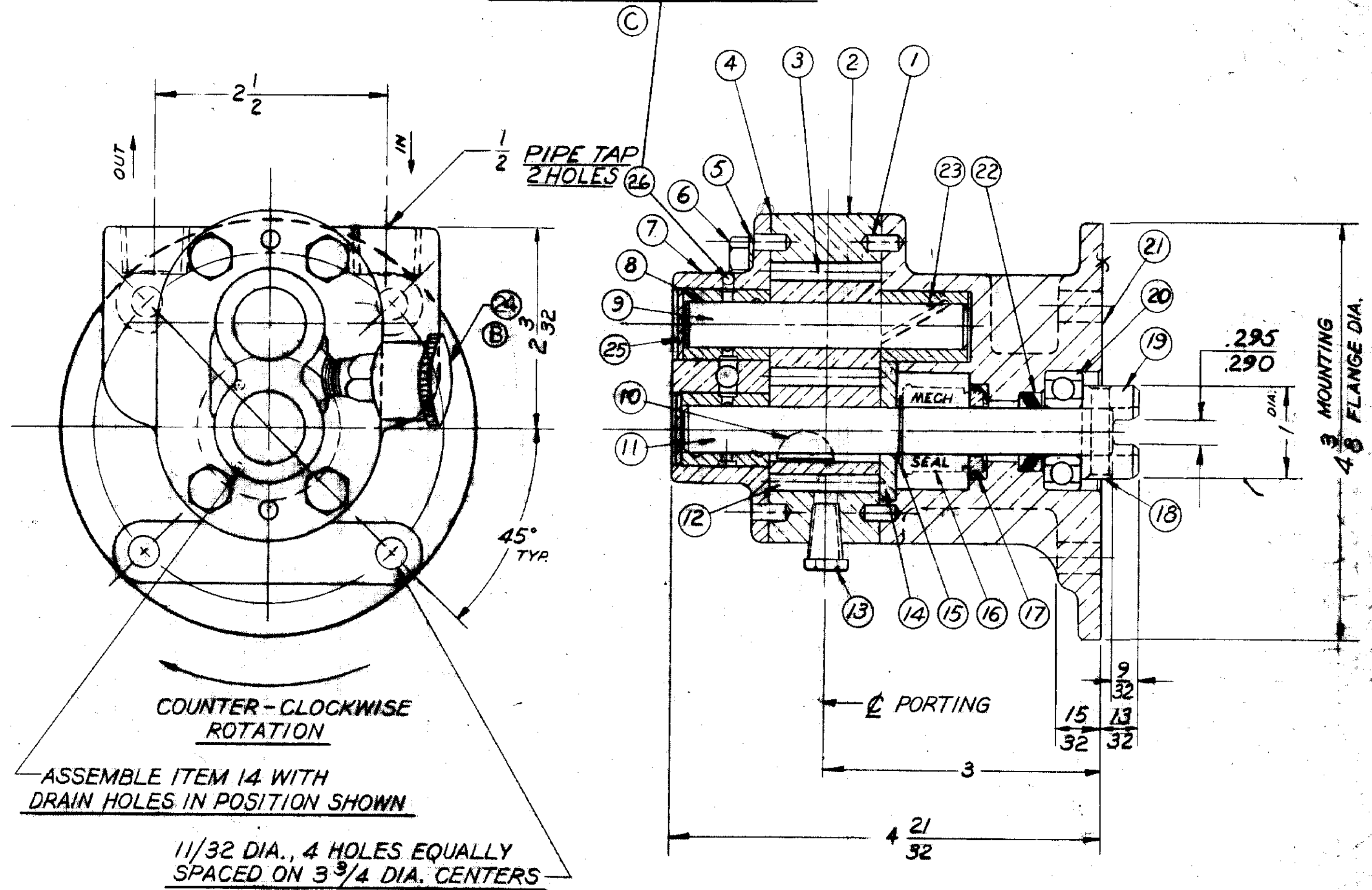
MINOR REPAIR KIT # 12951
MAJOR REPAIR KIT # 13369

SERVICE PART NO.	COMPONENT PART NO'S	NO. REQ'D
8455 COVER	8453 5238 17891	1 2 2
5279 HOUSING	5249 1311	1 4
11366 BODY	11362 5747	1 1
11367 SEAL & SEAT	10522 11361	1 1

PARTS LIST			
NO.	PART NO.	DESCRIPTION	REQ'D
1	1311	DOWEL PIN	4
2	5249	HOUSING - GEAR	1
3	5237	DRIVEN GEAR	1
4	5248	VELLUMOID GASKET	2
5	P-12710	LOCKWASHER	4
6	6334	HEX. HEAD CAP SCREW	4
7	8453	PUMP COVER - GEAR	1
8	17891	BUSHING - BODY	2
9	5247	DRIVEN SHAFT	1
10	X-4061	Nº 5 WOODRUFF KEY	1
11	11363	DRIVE SHAFT	1
12	5725	DRIVE GEAR	1
13	336	DRAIN PLUG	1
14	5795	SPACER PLATE	1
15	3304	EXTERNAL RET. RING	1
16	10522	MECHANICAL SEAL	1
17	11361	SEAT - FLOATING	1
18	418	COUPLING PIN	1
19	11364	COUPLING - DRIVE	1
20	11365	BALL BEARING	1
21	11362	PUMP BODY - GEAR	1
22	7269	LIP SEAL	1
23	5747	BUSHING - BODY	1
24	17674	CUP - GREASE	1
25	5238	PLUG - EXPANSION	2
26	12085	BALL 1/8	1
27	17636	CARTON	1
28	12209	LABEL	1
29	14474	JIFFY BAG Nº 4	1

①
②
③
④
⑤
⑥
⑦
⑧
⑨
⑩
⑪
⑫
⑬
⑭
⑮
⑯
⑰
⑱
⑲
⑳
㉑
㉒
㉓
㉔
㉕
㉖
㉗
㉘
㉙
㉚
㉛
㉜
㉝
㉞
㉟
㊱
㊲
㊳
㊴
㊵
㊶
㊷
㊸
㊹
㊺
㊻
㊼
㊽
㊾
㊿

THE MACHINE SHOP MUST PRESS THE #12085 BRASS BALL INTO THE COVER AFTER DRILLING THE #32(.116) HOLE



COUNTER-CLOCKWISE ROTATION
ASSEMBLE ITEM 14 WITH DRAIN HOLES IN POSITION SHOWN
11/32 DIA., 4 HOLES EQUALLY SPACED ON 3 3/4 DIA. CENTERS

CAPACITY
5.3 GALLONS PER MINUTE
AT 1500 R.P.M. PUMP SPEED

HELICAL GEARS

CURVE NO. 740016

FLDW CURVE B-11

SHERWOOD
A DIVISION OF HYPRO CORPORATION
6301 E. JEFFERSON AVE. - DETROIT, MICHIGAN 48207

FILE: GEAR PUMP ASS'Y
SCALE: FULL
DATE: 5-31-67
CHECKED: A.V.B.
DATE: 6-9-67

SEE DETAILS
PART NO. B-11

REV.	DESCRIPTION	DATE	BY
E	CARTON AND LABEL ADDED	5/31/67	SH/9/10
D	MINOR REPAIR KIT # 12951	RM 11-11-66	
C	ITEM # 6 12085 ADDED	RM 7-28-66	
B	COVER ROTATED 180°	4/1/66	
A	MFG. AS SPEC. GEAR	4/1/66	