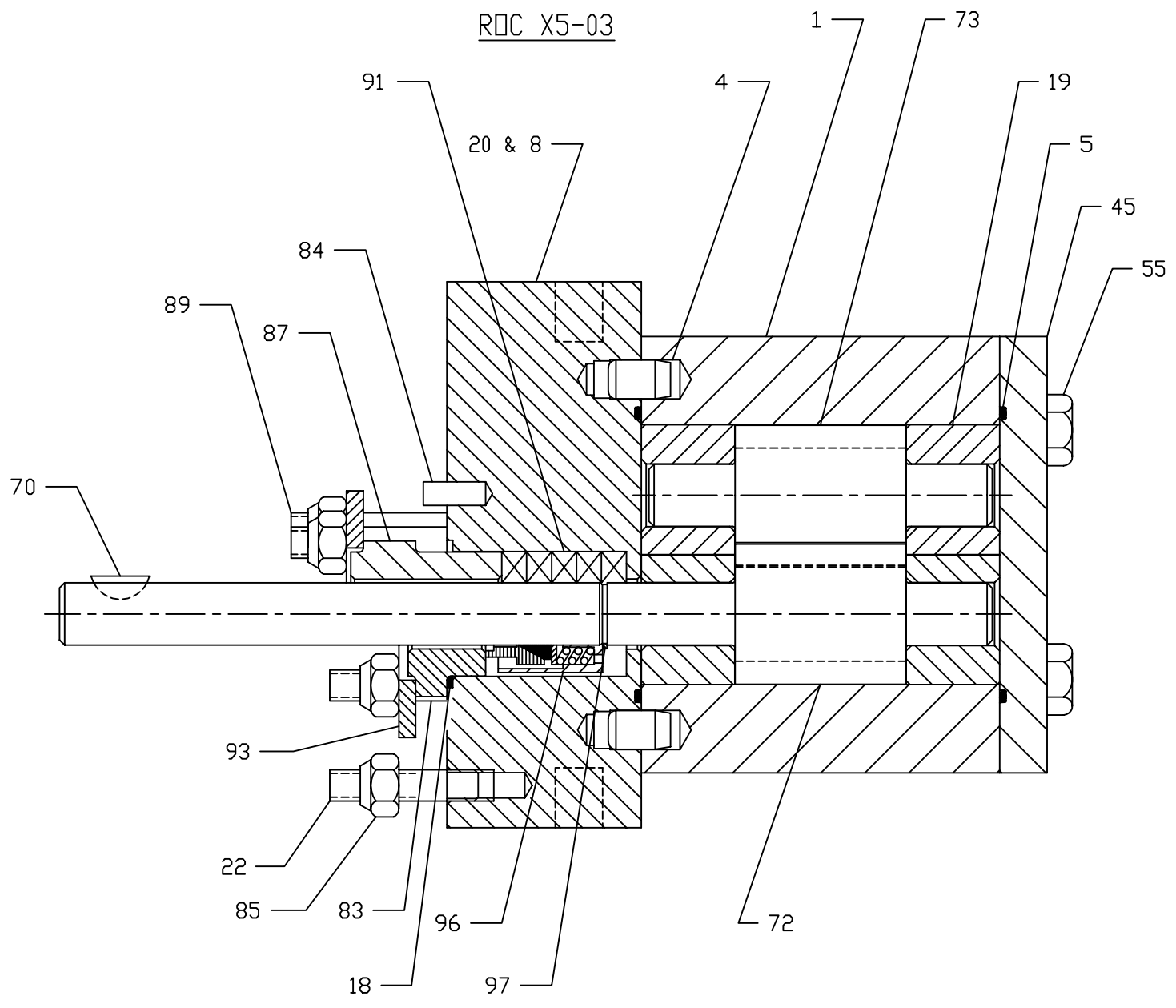


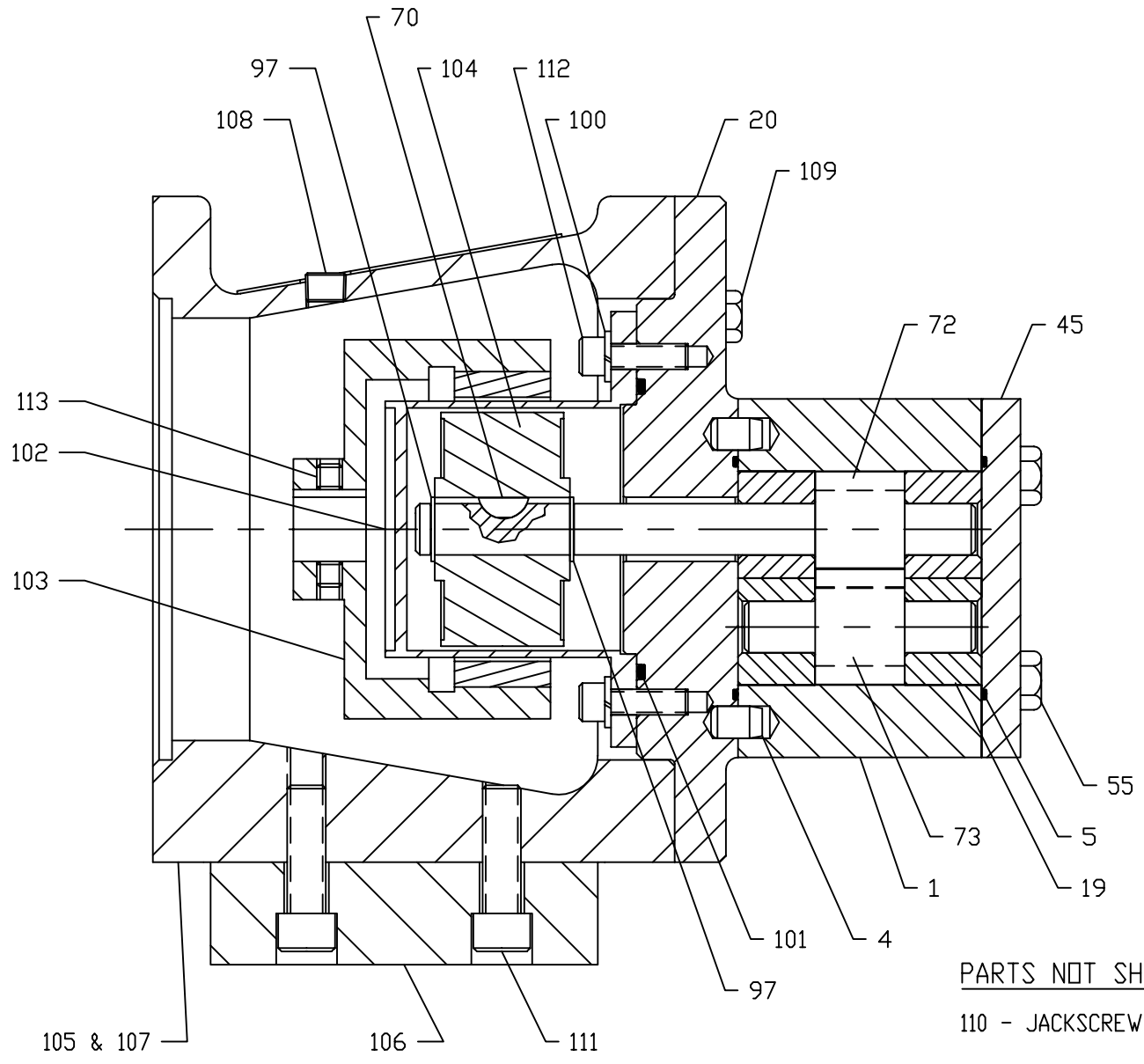
RQC X5-03



ROC X5 - 03

KEY NO.	DESCRIPTION	X5		01		02		03	
		QTY	PART NO.	QTY	PART NO.	QTY	PART NO.	QTY	PART NO.
1	Case	1	CP1-1022	1	CP1-983	1	CP1-985	1	CP1-981
4	Dowel Pin	2	G48-301	2	G48-301	2	G48-301	2	G48-301
5	Case Gasket ("O" Ring)	2	G70-30	2	G70-30	2	G70-30	2	G70-30
8	Pipe Plug	1	G56-53	1	G56-53	1	G56-53	1	G56-53
18	"O" Ring	1	G70-39	1	G70-39	1	G70-39	1	G70-39
19	Bushing, Carbon	4	G22-146	4	G22-146	4	G22-146	4	G22-146
20	Backplate	1	CP2-1614	1	CP2-1614	1	CP2-1614	1	CP2-1614
22	Stud	3	D22-388	3	D22-388	3	D22-388	3	D22-388
45	Faceplate	1	CP3-799	1	CP3-799	1	CP3-799	1	CP3-799
55	Hex Hd Cap Screw	4	G75-031250	4	G75-031275	4	G75-031325	4	G75-031375
70	Key, Drive	1	D30-215	1	D30-215	1	D30-215	1	D30-215
72	Drive Shaft & Gear	1	D2-2137-28	1	D2-2068-28	1	D2-2070-28	1	D2-2065-28
73	Idler Shaft & Gear	1	D2-2138-28	1	D2-2069-28	1	D2-2071-28	1	D2-2067-28
83	Seal Face	1	D23-344	1	D23-344	1	D23-344	1	D23-344
84	Roll Pin	3	G48-303	3	G48-303	3	G48-303	3	G48-303
85	Locknut	7	G43-95	7	G43-95	7	G43-95	7	G43-95
87	Packing Gland, Pkg	1	D5-535	1	D5-535	1	D5-535	1	D5-535
89	Stud, Mech Seal	4	D22-388	4	D22-388	4	D22-388	4	D22-388
	Stud, Pkg	4	D22-406	4	D22-406	4	D22-406	4	D22-406
91	Packing Rings	5	G14-193	5	G14-193	5	G14-193	5	G14-193
93	Seal Retainer	1	D8-479	1	D8-479	1	D8-479	1	D8-479
96	Mech Seal	1	G3-42	1	G3-42	1	G3-42	1	G3-42
97	Ret Ring	1	G41-247	1	G41-247	1	G41-247	1	G41-247

RDC X5-03 MAG DRIVE



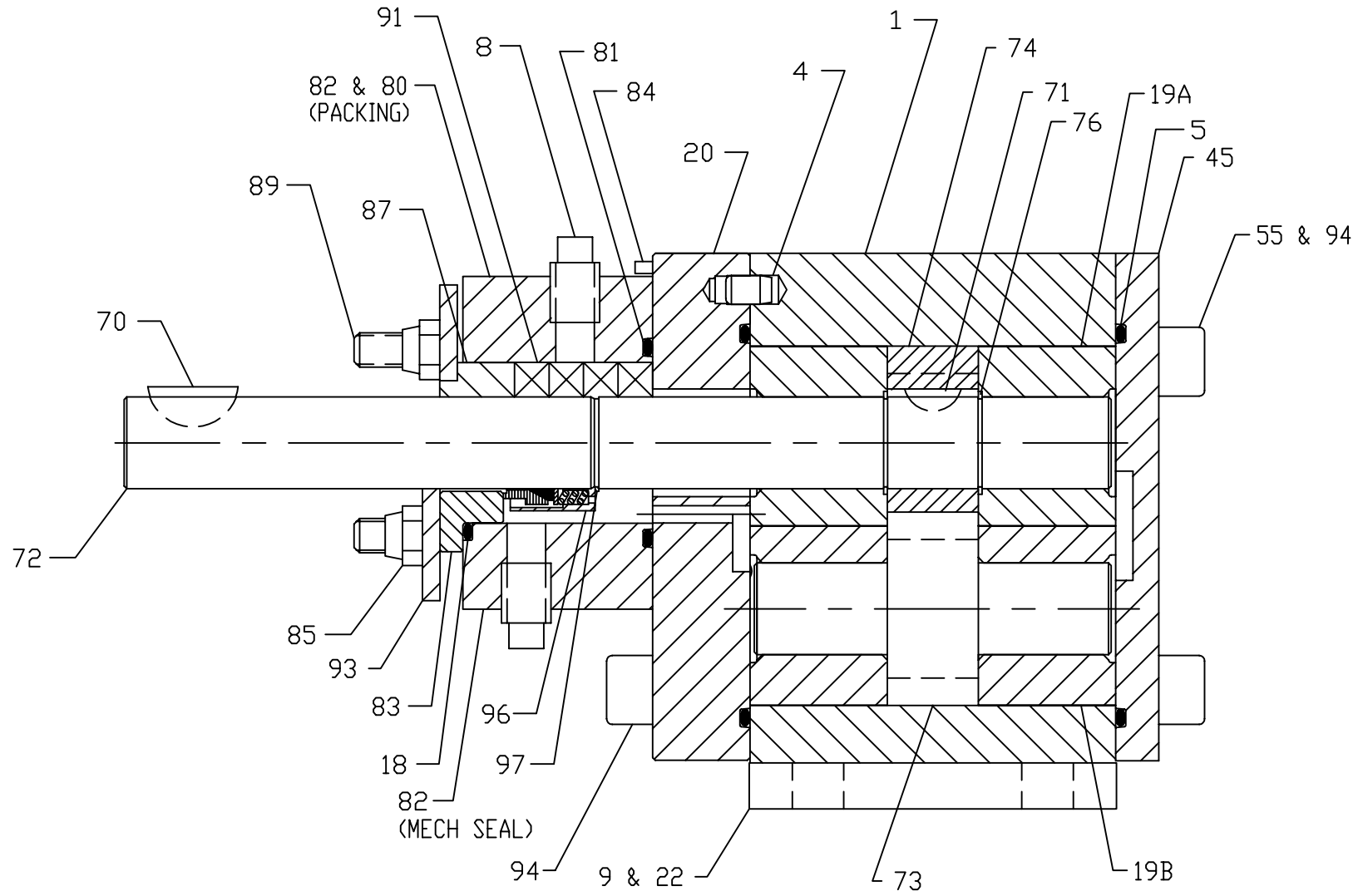
PARTS NOT SHOWN:

110 - JACKSCREW

ROC X5-03 MAG DRIVE

KEY NO.	DESCRIPTION	X5		01		02		03	
		QTY	PART NO.	QTY	PART NO.	QTY	PART NO.	QTY	PART NO.
1	Case	1	CP1-1022	1	CP1-983	1	CP1-985	1	CP1-981
4	Dowel Pin	2	G48-301	2	G48-301	2	G48-301	2	G48-301
5	Case Gasket ("O" Ring)	2	G70-30	2	G70-30	2	G70-30	2	G70-30
19	Bushing, Carbon	4	G22-146	4	G22-146	4	G22-146	4	G22-146
20	Backplate, CW	1	CP2-1619	1	CP2-1619	1	CP2-1619	1	CP2-1619
	Backplate, CCW	1	CP2-1620	1	CP2-1620	1	CP2-1620	1	CP2-1620
45	Faceplate	1	CP3-799	1	CP3-799	1	CP3-799	1	CP3-799
55	Hex Hd Cap Screw	4	G75-031250	4	G75-031275	4	G75-031325	4	G75-031375
70	Key, Drive	1	D30-215	1	D30-215	1	D30-215	1	D30-215
72	Drive Shaft & Gear	1	D2-2139-28	1	D2-2074-28	1	D2-2075-28	1	D2-2076-28
73	Idler Shaft & Gear	1	D2-2138-28	1	D2-2069-28	1	D2-2071-28	1	D2-2067-28
97	Ret Ring	1	G41-72	1	G41-72	1	G41-72	1	G41-72
100	Washer	6	G8-442	6	G8-442	6	G8-442	6	G8-442
101	"O" Ring	1	G70-31	1	G70-31	1	G70-31	1	G70-31
102	Containment Barrier	1	G31-980	1	G31-980	1	G31-980	1	G31-980
103	Outer Magnet Rotor	1	G31-981	1	G31-981	1	G31-981	1	G31-981
104	Inner Magnet Rotor	1	G31-982	1	G31-982	1	G31-982	1	G31-982
105	Bracket	1	P22-158	1	P22-158	1	P22-158	1	P22-158
106	Foot	1	D33-732	1	D33-732	1	D33-732	1	D33-732
107	Hex Hd Cap Screw	4	G49-037125	4	G49-037125	4	G49-037125	4	G49-037125
108	Pipe Plug	1	G56-21	1	G56-21	1	G56-21	1	G56-21
109	Hex Hd Cap Screw	4	G49-025100	4	G49-025100	4	G49-025100	4	G49-025100
110	Jackscrew	2	G49-103	2	G49-103	2	G49-103	2	G49-103
111	Soc Hd Cap Screw	4	G45-037125	4	G45-037125	4	G45-037125	4	G45-037125
112	Soc Hd Cap Screw	6	G76-10	6	G76-10	6	G76-10	6	G76-10
113	Set Screw	2	G62-16	2	G62-16	2	G62-16	2	G62-16

RDC 07-18



ROC 07 - 18

KEY NO.	DESCRIPTION	07		12		18	
		QTY	PART NO.	QTY	PART NO.	QTY	PART NO.
1	Case	1	N22-203	1	N22-204	1	N22-205
4	Dowel Pin	2	G48-301	2	G48-301	2	G48-301
5	Case Gasket ("O" Ring)	2	G70-49	2	G70-49	2	G70-49
8	Pipe Plug	2	G56-43	2	G56-43	2	G56-43
9	Foot	1	D33-805	1	D33-805	1	D33-805
18	"O" Ring	1	G70-48	1	G70-48	1	G70-48
19A	Bushing, Carbon	2	G5-916	2	G5-916	2	G5-916
19B	Bushing, Carbon	2	G5-918	2	G5-918	2	G5-918
20	Backplate, Mech Seal	1	D47-505	1	D47-505	1	D47-505
	Backplate, Pkg	1	D47-511	1	D47-511	1	D47-511
22	Hex Hd Cap Screw	4	G75-050050	4	G75-050050	4	G75-050050
45	Faceplate	1	D47-504	1	D47-504	1	D47-504
55	Soc Hd Cap Screw	2	G76-050150	2	G76-050150	2	G76-050150
70	Key, Drive	1	D30-225	1	D30-225	1	D30-225
71	Key, Gear	1	D30-101	1	D30-101	1	D30-101
72	Drive Shaft	1	D1-2608	1	D1-2609	1	D1-2610
73	Idler Shaft & Gear	1	D2-2116	1	D2-2117	1	D2-2118
74	Drive Gear	1	D6-1211	1	D6-1212	1	D6-1213
76	Ret Ring	2	G41-263	2	G41-263	2	G41-263
80	Soc Hd Cap Screw, Pkg Hsg	4	G76-037200	4	G76-037200	4	G76-037200
81	"O" Ring	1	G70-23	1	G70-23	1	G70-23
82	Seal Housing, Mech Seal	1	D46-122	1	D46-122	1	D46-122
	Packing Housing, Pkg	1	D46-123	1	D46-123	1	D46-123
83	Seal Face	1	D23-350	1	D23-350	1	D23-350
84	Roll Pin	3	G48-303	3	G48-303	3	G48-303
85	Hex Nut	4	G43-24	4	G43-24	4	G43-24
87	Packing Gland, Pkg	1	D45-69	1	D45-69	1	D45-69
89	Stud, Mech Seal	4	D22-402	4	D22-402	4	D22-402
	Stud, Pkg	4	D22-403	4	D22-403	4	D22-403
91	Packing Rings	5	G14-63	5	G14-63	5	G14-63
93	Seal Retainer	1	D23-351	1	D23-351	1	D23-351
94	Soc Hd Cap Screw	6	G76-050100	6	G76-050100	6	G76-050100
96	Mech Seal	1	G14-94	1	G14-94	1	G14-94
97	Ret Ring	1	G41-145	1	G41-145	1	G41-145