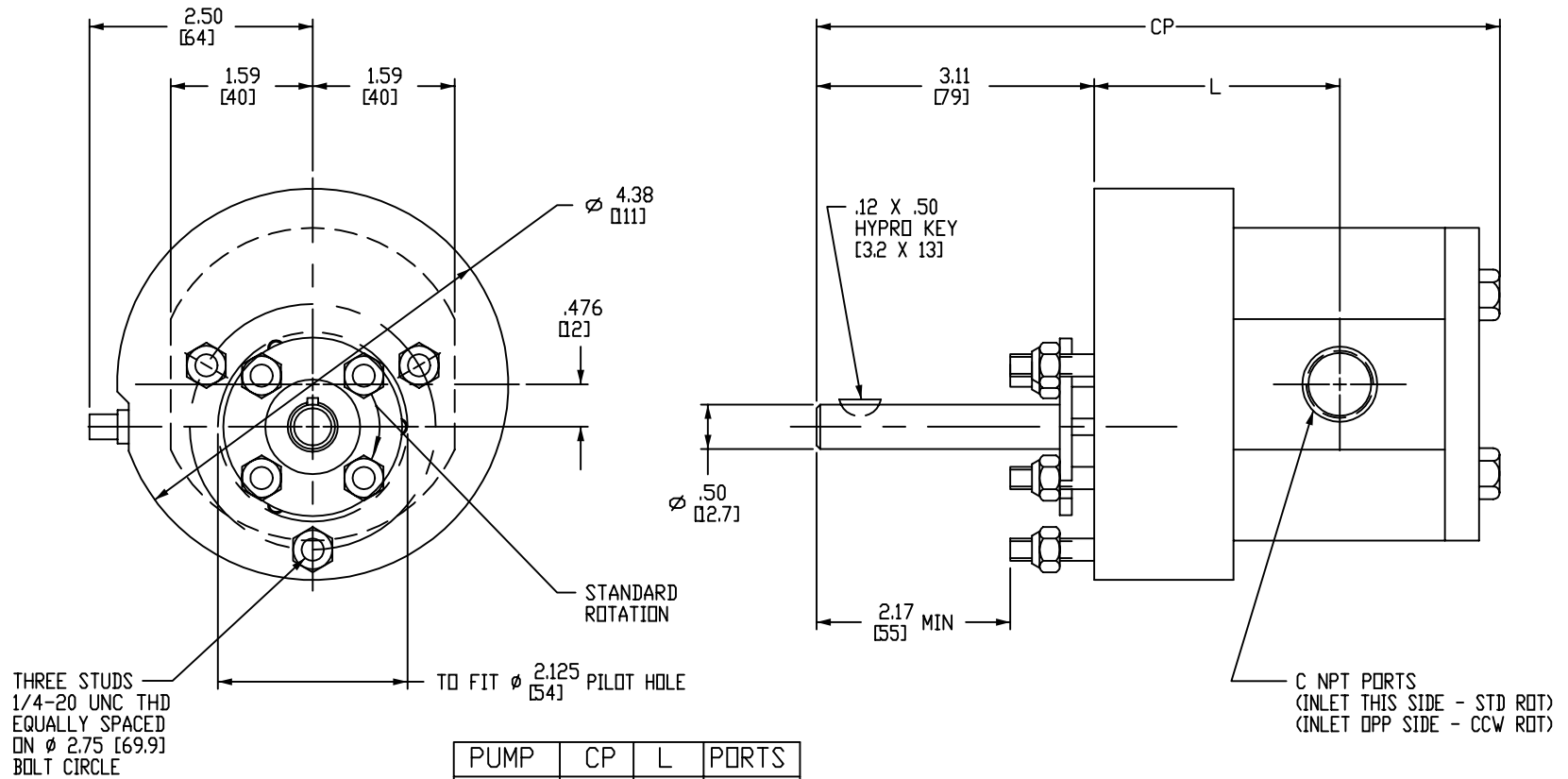
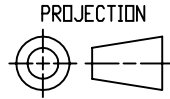


R0C X5-03

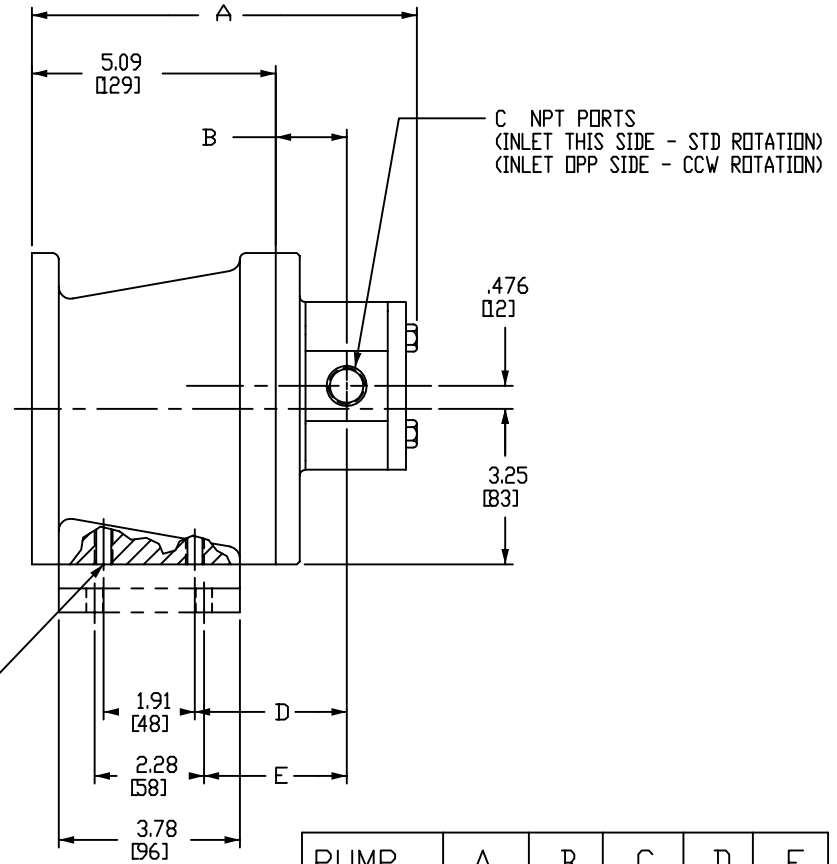
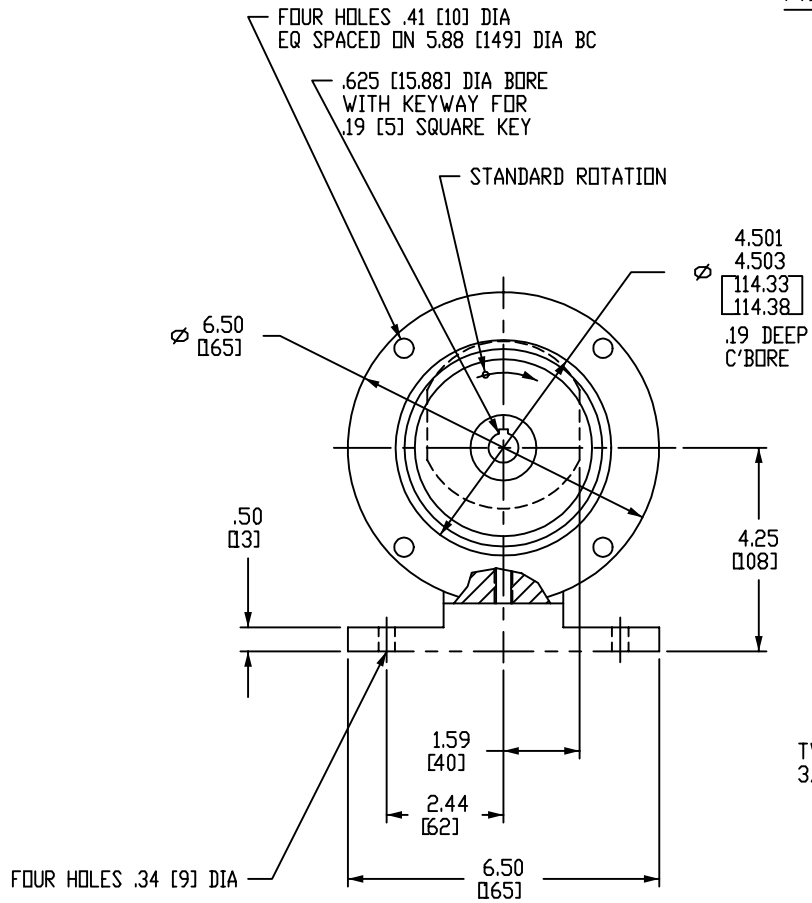


PUMP	CP	L	PORTS
x5	7.00 [177]	2.42 [61]	1/2
01	7.22 [183]	2.53 [64]	1/2
02	7.65 [194]	2.75 [70]	1/2
03	8.16 [207]	3.00 [76]	3/4

DO NOT SCALE
DIMS IN INCHES [MM]

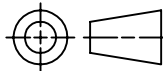


RQC X5-03 MAG DRIVE



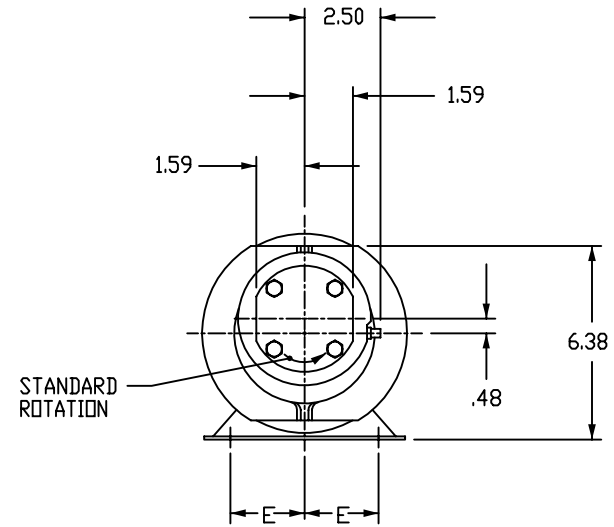
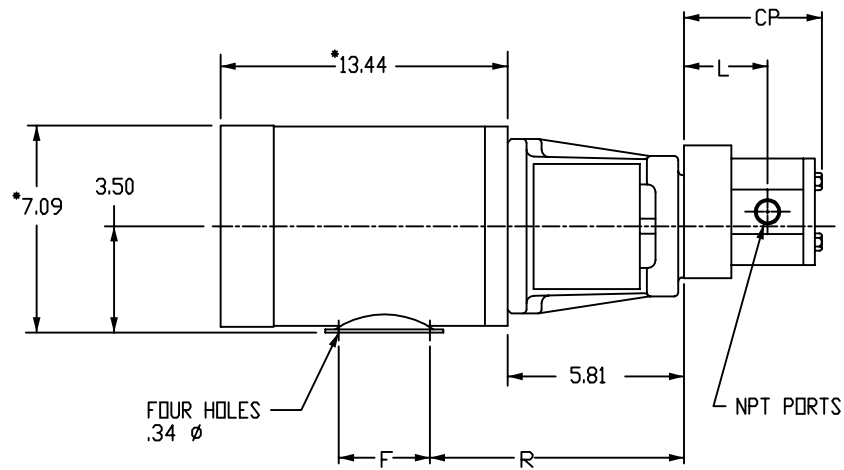
DO NOT SCALE
 DIMS IN INCHES (MM)

PROJECTION



PUMP	A	B	C	D	E
x5	8.04 (204)	1.48 (38)	1/2	3.17 (80)	2.98 (76)
01	8.26 (209)	1.59 (40)	1/2	3.28 (83)	3.09 (78)
02	8.69 (220)	1.81 (46)	1/2	3.50 (89)	3.31 (84)
03	9.20 (233)	2.06 (52)	3/4	3.75 (95)	3.56 (90)

RDC X5-03



✓	PUMP	PORTS	CP	L	PUMP WEIGHT
	X5	1/2" NPT	4.31	2.85	12
	01	1/2" NPT	4.11	2.53	13
	02	1/2" NPT	4.54	2.75	14
	03	3/4" NPT	5.05	3.00	15

✓	MOTOR FRAME	*MOTOR WEIGHT	BRACKET/CPLG/HARDWARE WEIGHT	E	F	R
	56C	42	20	2.44	3.00	8.37
	143TC	57		2.75	4.00	8.69
	145TC	64		5.00		

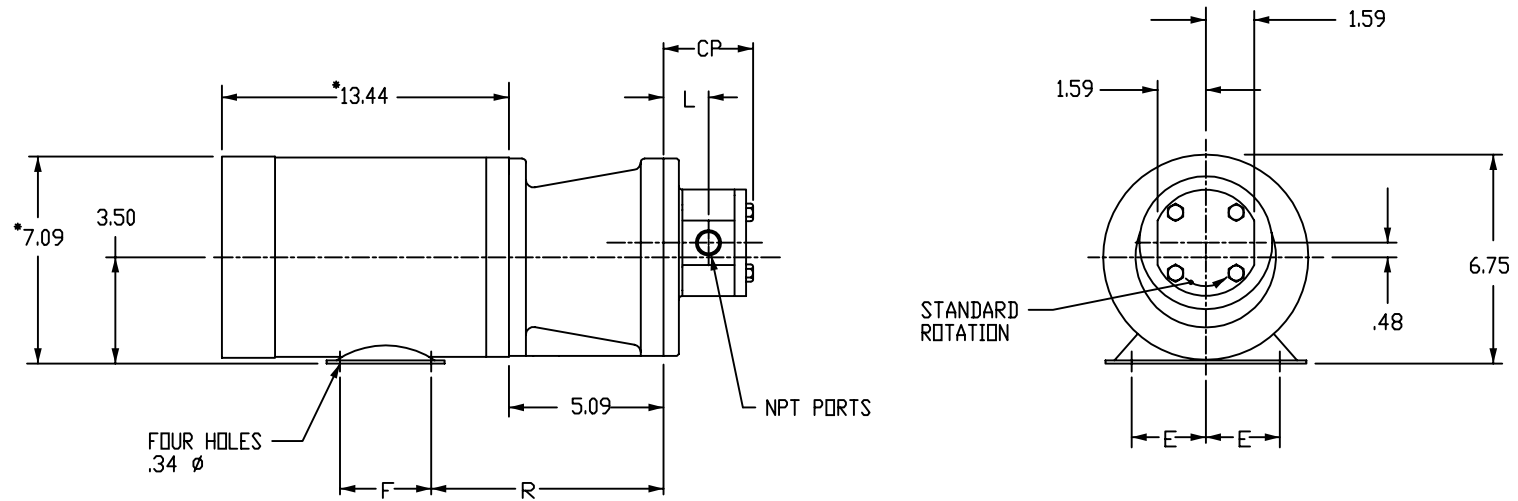
✓ = UNIT SELECTED
 DIMENSIONS IN INCHES
 WEIGHTS IN POUNDS
 *DIMENSIONS AND MOTOR WEIGHTS WILL VARY BASED ON MOTOR MANUFACTURER AND TYPE. CHART DIMENSIONS AND MOTOR WEIGHTS BASED ON TEFC 3 PHASE MOTORS.



ROPER PUMP COMPANY
 P.O. BOX 269
 3475 OLD MAYSVILLE RD
 COMMERCIE, GEORGIA 30529 U.S.A.
 TELEPHONE: (706) 335-5551
 TELEFAX: (706) 335-5505

DATE: _____
 PUMP NO.: _____
 ROPER NO.: _____
 CUSTOMER: _____
 CUSTOMER NO.: _____
 SERVICE: _____

RQC X5-03 MAG DRIVE



✓	PUMP	PORTS	CP	L	PUMP WEIGHT
	X5	1/2" NPT	2.95	1.48	12
	01	1/2" NPT	3.17	1.59	13
	02	1/2" NPT	3.60	1.81	14
	03	3/4" NPT	4.11	2.06	15

✓	MOTOR FRAME	*MOTOR WEIGHT	BRACKET/CPLG/HARDWARE WEIGHT	E	F	R
	56C	42	25	2.44	3.00	7.65
	143TC	57		2.75	4.00	7.97
	145TC	64		2.75	5.00	7.97

✓ = UNIT SELECTED
 DIMENSIONS IN INCHES
 WEIGHTS IN POUNDS

*DIMENSIONS AND MOTOR WEIGHTS WILL VARY BASED ON MOTOR MANUFACTURER AND TYPE. CHART DIMENSIONS AND MOTOR WEIGHTS BASED ON TEFC 3 PHASE MOTORS.



ROPER PUMP COMPANY
 P.O. BOX 269
 3475 OLD MAYSVILLE RD
 COMMERCE, GEORGIA 30529 U.S.A.

TELEPHONE: (706) 335-5551
 TELEFAX: (706) 335-5505

DATE: _____

PUMP NO.: _____

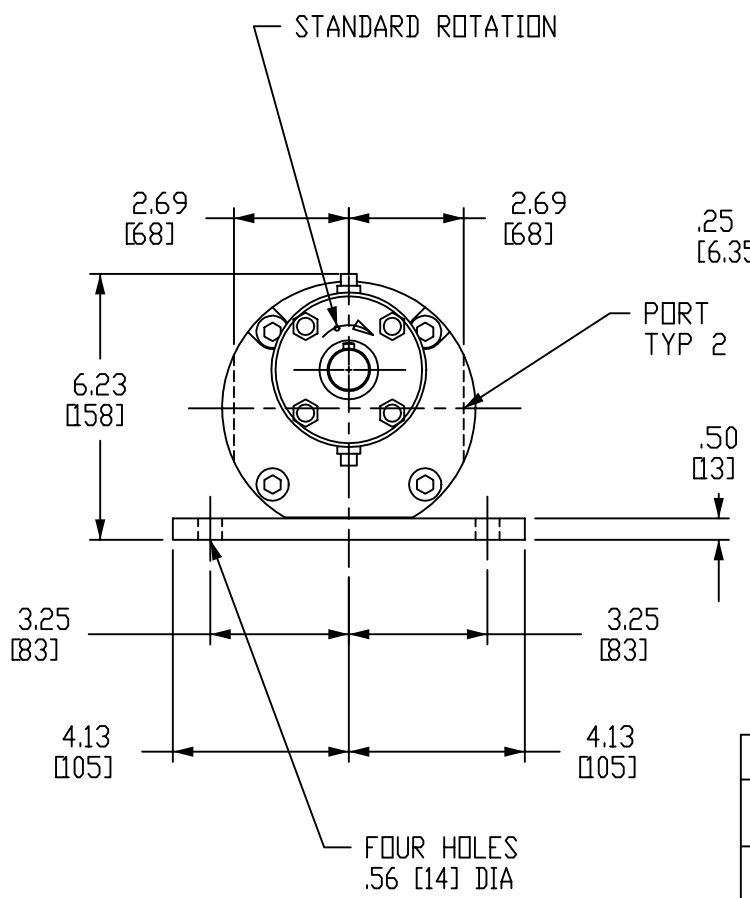
ROPER NO.: _____

CUSTOMER: _____

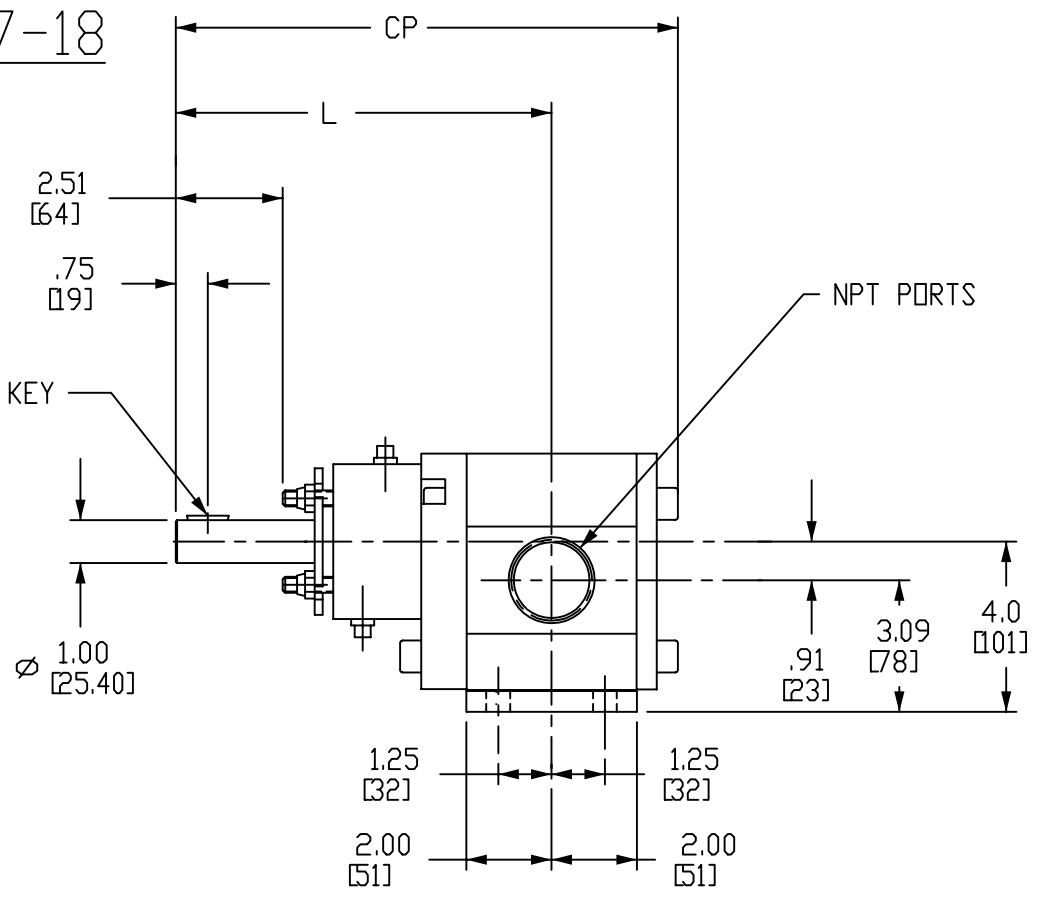
CUSTOMER NO.: _____

SERVICE: _____

ROC 07-18

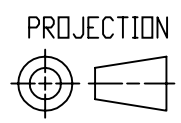


.25 X 1.0 HYPRO KEY [6.35 X 25.4]

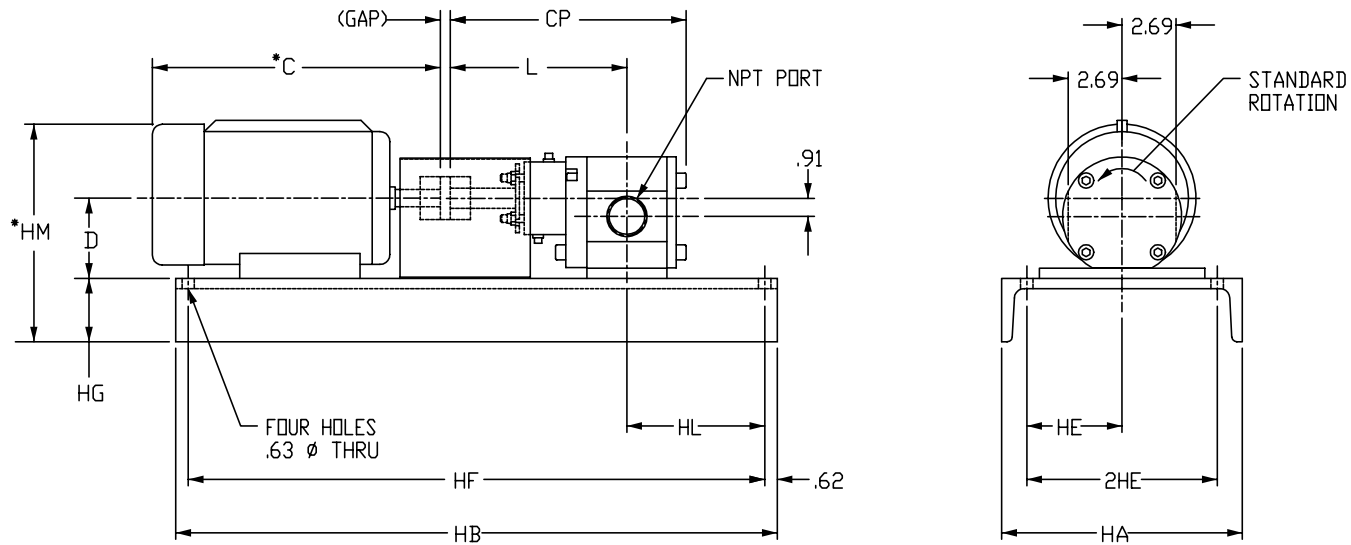


PUMP	CP	L	PORTS
07	11.77 [299]	8.81 [224]	1-1/2
12	12.47 [317]	9.16 [233]	1-1/2
18	13.32 [338]	9.58 [243]	2

DO NOT SCALE
DIMS IN INCHES [MM]



RDC 07-18



✓ PUMP	PORT SIZE	CP	HL	APPROXIMATE PUMP WEIGHT
07	1-1/2" NPT	11.77	6.88	52
12	1-1/2" NPT	12.47	6.53	56
18	2" NPT	13.32	6.11	61

✓	MOTOR FRAME	MOTOR WEIGHT	BASE/COUPLING/HARDWARE WEIGHT	*C	D	*HM	HA	HB	2HE	HF	HG	(GAP)
	56	42	85	11.38	3.50	10.06	12	30	9.50	28.76	3.17	.50
	143T	57	95	12.56		10.88						
	145T	64		12.82								
	182T	97	115	16.56	4.50	14.65	15	36	34.76	3.4	.75	
	184T	110		18.06								
	213T	162	125	18.56	5.25	16.40	42	40.76	40.76	3.4	.88	
	215T	189		21.09								
	254T	283	135	23.19	6.25	17.58	42	40.76	40.76	3.4	1.0	
	256T	290		23.19								

✓ = UNIT SELECTED

DIMENSIONS IN INCHES
WEIGHTS IN POUNDS

*DIMENSIONS AND MOTOR WEIGHTS WILL VARY BASED ON MOTOR MANUFACTURER AND TYPE. CHART DIMENSIONS AND MOTOR WEIGHTS BASED ON TEFC 3 PHASE MOTORS.

LOVEJOY COUPLINGS STANDARD



ROPER PUMP COMPANY
P.O. BOX 269
3475 OLD MAYSVILLE RD
COMMERCE, GEORGIA 30529 U.S.A.

TELEPHONE: (706) 335-5551
TELEFAX: (706) 335-5505

DATE: _____

PUMP NO.: _____

ROPER NO.: _____

CUSTOMER: _____

CUSTOMER NO.: _____

SERVICE: _____