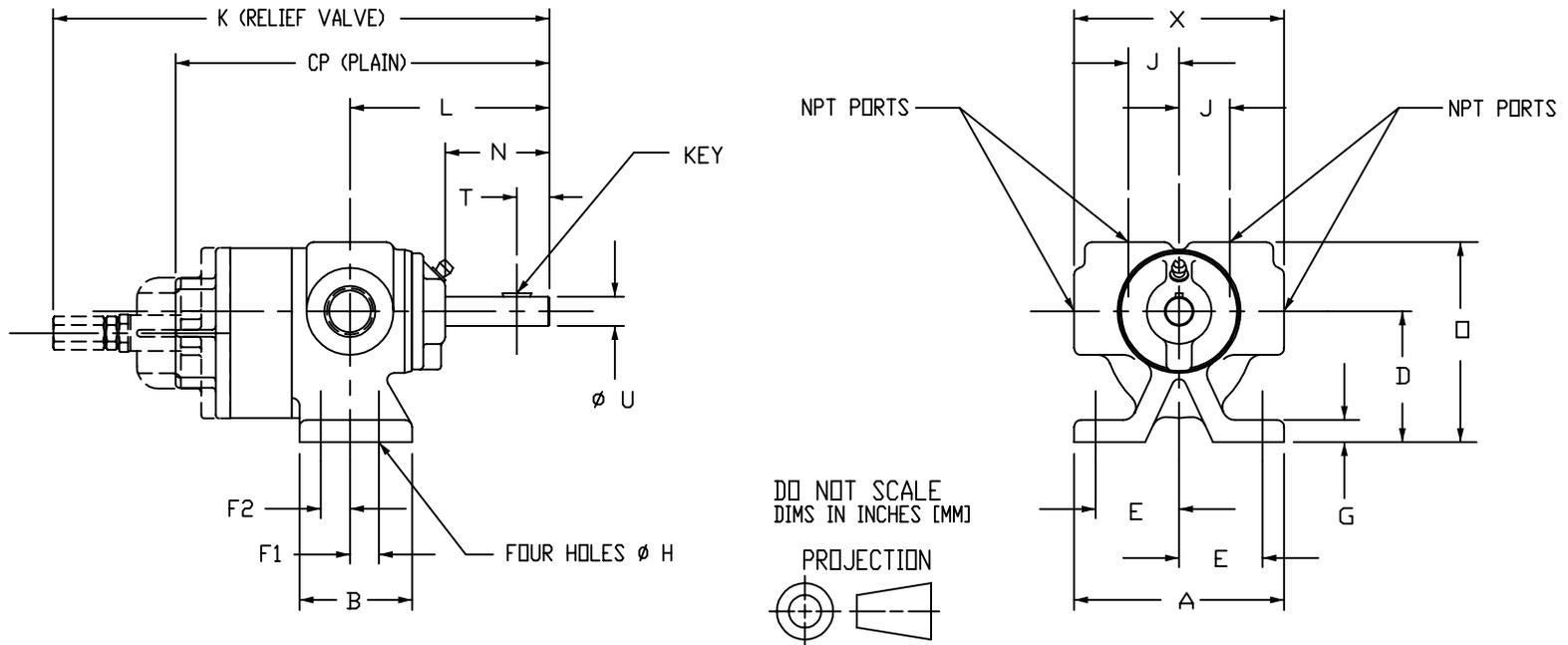
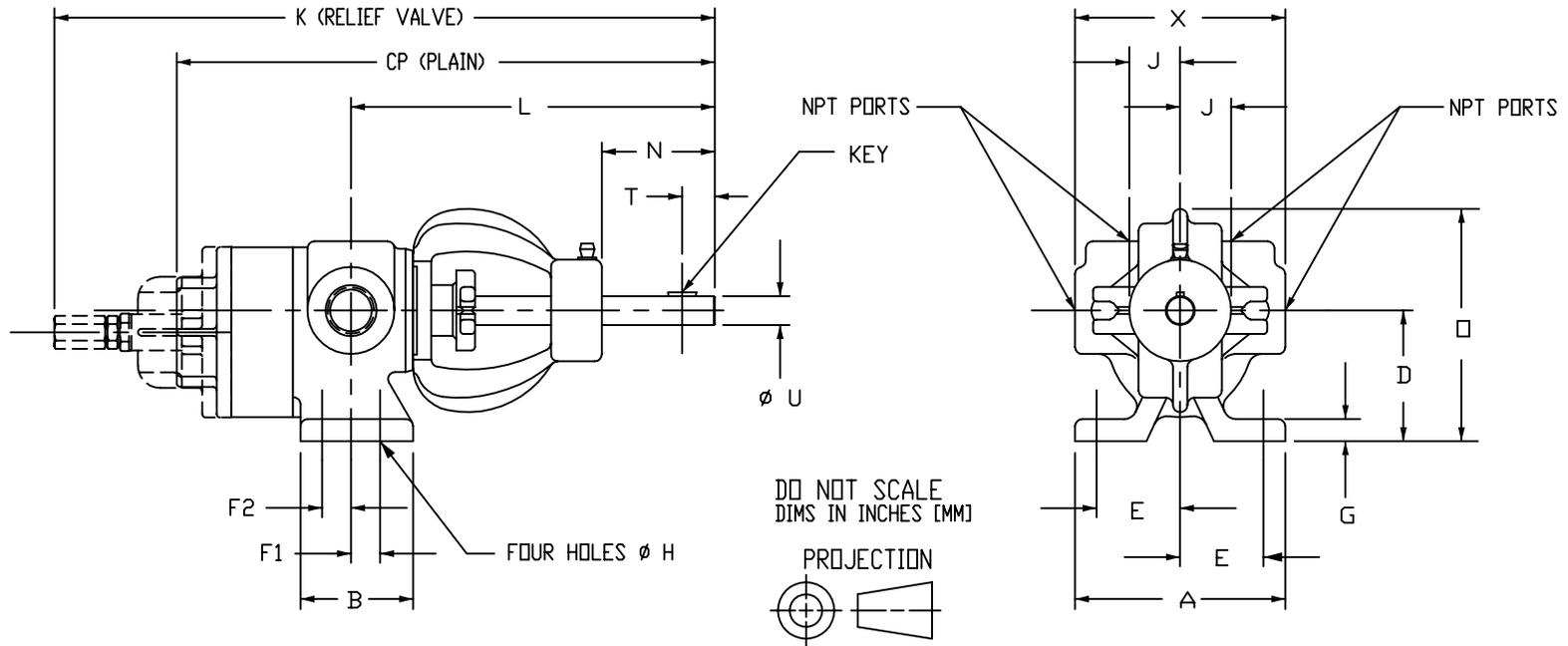


1 & 2 F 1 - F100 SPEC 0



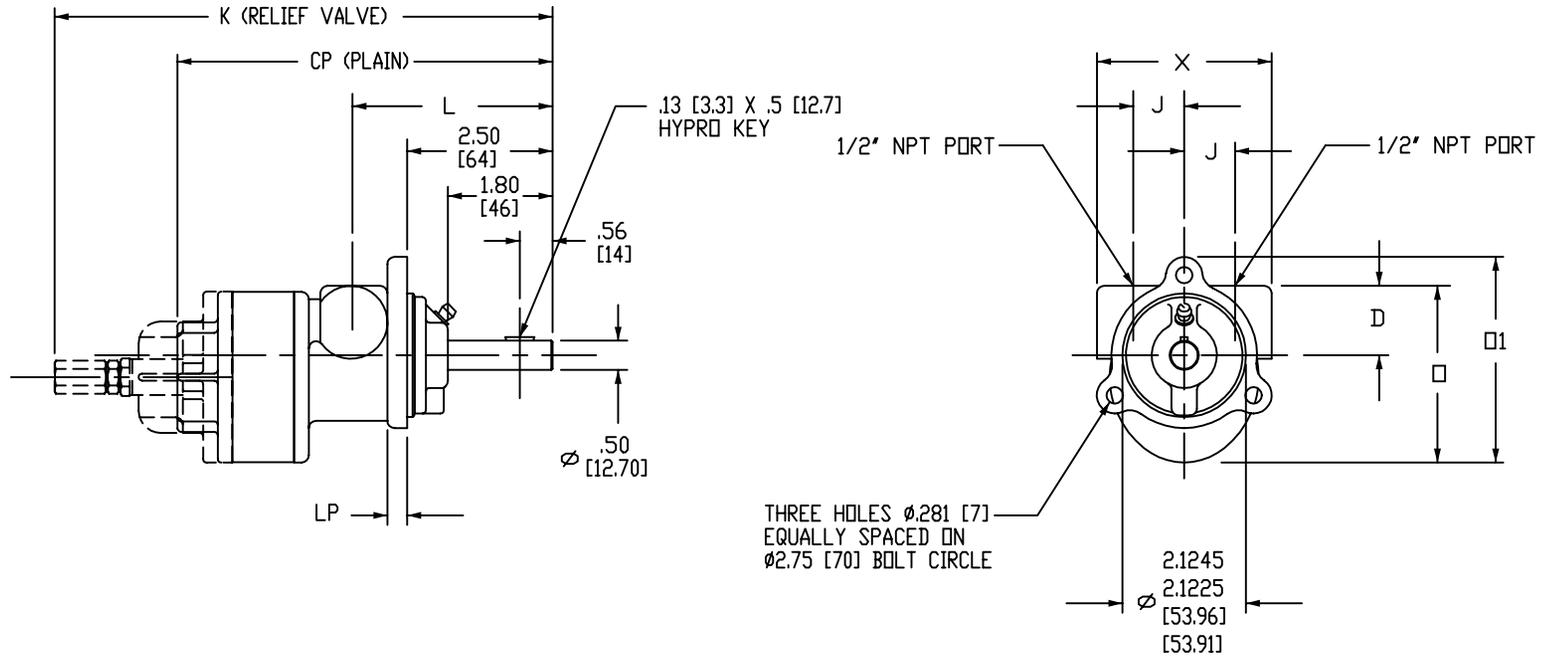
PUMP	A	B	CP	D	E	F1	F2	G	H	J	K	L	N	Ø	R	T	U	X	PORTS	KEY
1	3.63 [92]	1.94 [49]	6.44 [164]	2.25 [57]	1.44 [37]	.50 [13]	.50 [13]	.38 [10]	.34 [8.7]	.88 [22]	8.55 [217]	3.44 [87]	1.80 [46]	3.44 [87]	.88 [22]	.56 [14]	.50 [12.7]	3.63 [92]	1/2" NPT	.13 W X .50 WOODRUFF [3.3 W X 12.7]
3	4.00 [102]	2.19 [56]	7.31 [186]	2.50 [64]	1.63 [41]	.63 [16]	.63 [16]	.38 [10]	.34 [8.7]	1.00 [25]	9.52 [242]	3.57 [91]	1.80 [46]	3.69 [94]	1.00 [25]	.56 [14]	.50 [12.7]	4.00 [102]	1/2" NPT	.13 W X .50 WOODRUFF [3.3 W X 12.7]
5	4.25 [108]	2.44 [62]	8.13 [206]	2.88 [73]	1.75 [44]	.63 [16]	.63 [16]	.38 [10]	.34 [8.7]	1.00 [25]	10.53 [268]	3.81 [97]	1.80 [46]	4.38 [111]	1.00 [25]	.56 [14]	.50 [12.7]	4.25 [108]	1/2" NPT	.13 W X .50 WOODRUFF [3.3 W X 12.7]
10	5.25 [133]	3.13 [80]	9.75 [248]	3.50 [89]	2.13 [54]	1.06 [27]	.94 [24]	.38 [10]	.41 [10.4]	1.25 [32]	12.06 [306]	4.56 [116]	1.98 [50]	5.38 [137]	1.44 [37]	N/A	.63 [15.9]	5.25 [133]	3/4" NPT	.19 SQ X 1.25 [4.8 X 31.7]
15	6.25 [159]	3.25 [83]	11.40 [290]	4.25 [108]	2.63 [67]	1.13 [29]	1.13 [29]	.44 [11]	.41 [10.4]	1.50 [38]	14.36 [365]	5.24 [133]	1.91 [49]	6.50 [165]	1.63 [41]	N/A	.75 [19.1]	6.25 [159]	1-1/4" NPT	.19 SQ X 1.25 [4.8 X 31.7]
20	6.25 [159]	3.25 [83]	11.78 [299]	4.25 [108]	2.63 [67]	1.13 [29]	1.13 [29]	.44 [11]	.41 [10.4]	1.50 [38]	14.73 [374]	5.24 [133]	1.91 [49]	6.50 [165]	1.63 [41]	N/A	.75 [19.1]	6.25 [159]	1-1/4" NPT	.19 SQ X 1.25 [4.8 X 31.7]
35	7.75 [197]	4.25 [108]	15.30 [388]	5.75 [146]	3.25 [83]	1.38 [35]	1.38 [35]	.63 [16]	.56 [14.3]	2.00 [51]	18.44 [468]	7.16 [182]	3.33 [85]	8.50 [216]	2.00 [51]	N/A	.88 [22.2]	7.75 [197]	1-1/2" NPT	.19 SQ X 2.00 [4.8 X 50.8]
50	8.75 [222]	5.00 [127]	16.73 [425]	6.25 [159]	3.63 [92]	1.38 [35]	1.38 [35]	.75 [19]	.56 [14.3]	2.25 [57]	20.44 [519]	7.91 [201]	3.29 [84]	9.50 [241]	2.00 [51]	N/A	1.00 [25.4]	8.75 [222]	2" NPT	.25 SQ X 2.00 [6.3 X 50.8]
75	10.63 [270]	6.00 [152]	18.84 [479]	7.00 [178]	4.31 [109]	2.44 [62]	1.56 [40]	.75 [19]	.69 [17.5]	2.63 [67]	22.43 [570]	8.34 [212]	3.59 [91]	10.50 [267]	2.56 [65]	N/A	1.25 [31.8]	10.63 [270]	2-1/2" NPT	.25 SQ X 2.50 [6.3 X 63.5]
100	12.00 [305]	6.25 [159]	20.72 [526]	8.00 [203]	5.00 [127]	2.38 [60]	2.00 [51]	.75 [19]	.69 [17.5]	2.63 [67]	24.53 [623]	9.15 [232]	3.97 [101]	12.13 [308]	3.00 [76]	N/A	1.25 [31.8]	10.63 [270]	2-1/2" NPT	.25 SQ X 2.50 [6.3 X 63.5]

1 & 2 F 1 - F100 SPEC 5



PUMP	A	B	CP	D	E	F1	F2	G	H	J	K	L	N	Ø	R	T	U	X	PORTS	KEY
1	3.63 [92]	1.94 [49]	9.27 [235]	2.25 [57]	1.44 [37]	.50 [13]	.50 [13]	.38 [10]	.34 [8.7]	.88 [22]	11.38 [289]	6.27 [159]	1.95 [49]	4.00 [102]	.88 [22]	.56 [14]	.50 [12.7]	3.63 [92]	1/2" NPT	.13 W X .50 WOODRUFF [3.3 W X 12.7]
3	4.00 [102]	2.19 [56]	10.13 [257]	2.50 [64]	1.63 [41]	.63 [16]	.63 [16]	.38 [10]	.34 [8.7]	1.00 [25]	12.34 [313]	6.39 [162]	1.95 [49]	4.25 [108]	1.00 [25]	.56 [14]	.50 [12.7]	4.00 [102]	1/2" NPT	.13 W X .50 WOODRUFF [3.3 W X 12.7]
5	4.25 [108]	2.44 [62]	11.01 [280]	2.88 [73]	1.75 [44]	.63 [16]	.63 [16]	.38 [10]	.34 [8.7]	1.00 [25]	13.42 [341]	6.70 [170]	2.00 [51]	4.63 [117]	1.00 [25]	.56 [14]	.50 [12.7]	4.25 [108]	1/2" NPT	.13 W X .50 WOODRUFF [3.3 W X 12.7]
10	5.25 [133]	3.13 [80]	14.06 [357]	3.50 [89]	2.13 [54]	1.06 [27]	.94 [24]	.38 [10]	.41 [10.4]	1.25 [32]	16.35 [415]	8.87 [225]	2.19 [56]	5.53 [140]	1.44 [37]	N/A	.63 [15.9]	5.25 [133]	3/4" NPT	.19 SQ X 1.25 [4.8 X 31.7]
15	6.25 [159]	3.25 [83]	16.63 [423]	4.25 [108]	2.63 [67]	1.13 [29]	1.13 [29]	.44 [11]	.41 [10.4]	1.50 [38]	19.59 [498]	10.48 [266]	2.57 [65]	6.75 [171]	1.63 [41]	N/A	.75 [19.1]	6.25 [159]	1-1/4" NPT	.19 SQ X 1.25 [4.8 X 31.7]
20	6.25 [159]	3.25 [83]	17.01 [432]	4.25 [108]	2.63 [67]	1.13 [29]	1.13 [29]	.44 [11]	.41 [10.4]	1.50 [38]	19.97 [507]	10.48 [266]	2.57 [65]	6.75 [171]	1.63 [41]	N/A	.75 [19.1]	6.25 [159]	1-1/4" NPT	.19 SQ X 1.25 [4.8 X 31.7]
35	7.75 [197]	4.25 [108]	20.08 [510]	5.75 [146]	3.25 [83]	1.38 [35]	1.38 [35]	.63 [16]	.56 [14.3]	2.00 [51]	23.22 [590]	11.94 [303]	3.61 [92]	8.50 [216]	2.00 [51]	N/A	.88 [22.2]	7.75 [197]	1-1/2" NPT	.19 SQ X 2.00 [4.8 X 50.8]
50	8.75 [222]	5.00 [127]	22.07 [561]	6.25 [159]	3.63 [92]	1.38 [35]	1.38 [35]	.75 [19]	.56 [14.3]	2.25 [57]	25.78 [655]	13.25 [337]	3.32 [84]	9.50 [241]	2.00 [51]	N/A	1.00 [25.4]	8.75 [222]	2" NPT	.25 SQ X 2.00 [6.3 X 50.8]
75	10.63 [270]	6.00 [152]	24.84 [631]	7.00 [178]	4.31 [109]	2.44 [62]	1.56 [40]	.75 [19]	.69 [17.5]	2.63 [67]	28.45 [723]	14.34 [364]	4.09 [104]	10.50 [267]	2.56 [65]	N/A	1.25 [31.8]	10.63 [270]	2-1/2" NPT	.25 SQ X 2.50 [6.3 X 63.5]
100	12.00 [305]	6.25 [159]	26.34 [669]	8.00 [203]	5.00 [127]	2.38 [60]	2.00 [51]	.75 [19]	.69 [17.5]	2.63 [67]	30.15 [766]	14.78 [375]	4.09 [104]	12.13 [308]	3.00 [76]	N/A	1.25 [31.8]	10.63 [270]	2-1/2" NPT	.25 SQ X 2.50 [6.3 X 63.5]

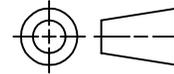
17 & 18 F 1 - F5 SPEC 0



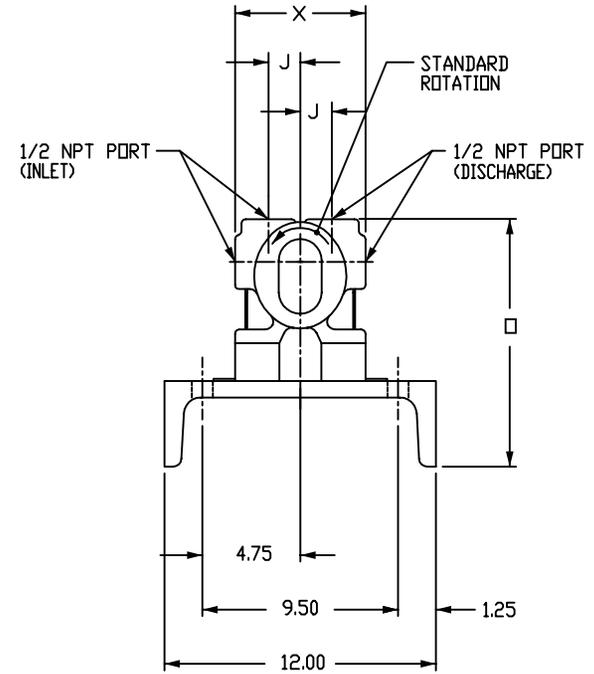
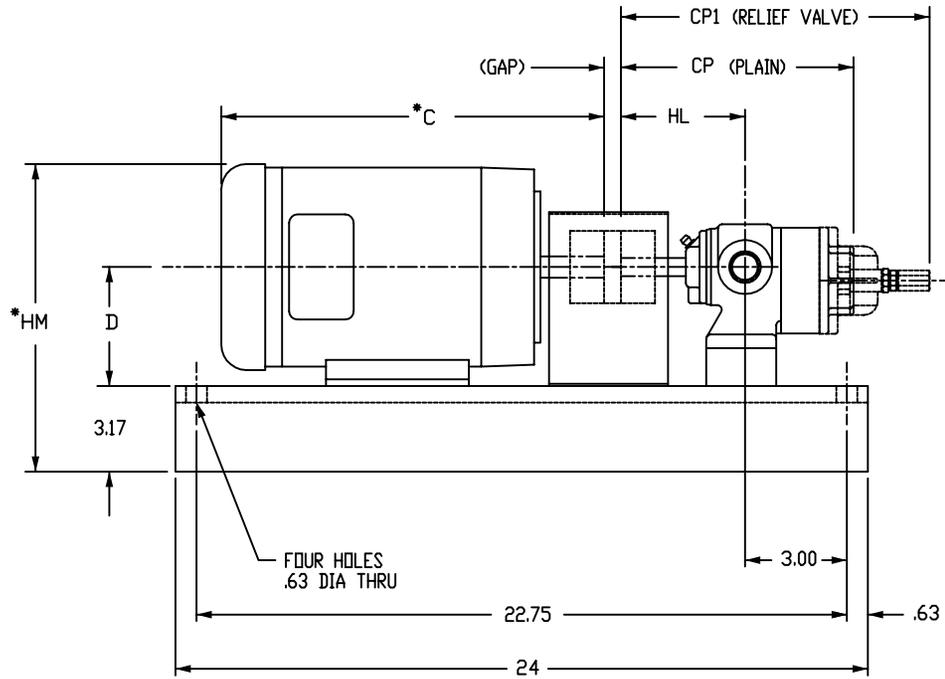
PUMP	CP	D	J	K	L	LP	□	□1	X
1	6.44 [164]	1.19 [30]	.88 [22]	8.55 [217]	3.44 [87]	.34 [9]	3.03 [77]	3.53 [90]	3.00 [76]
3	7.31 [186]	1.38 [35]	1.00 [25]	9.52 [242]	3.57 [91]	.28 [7]	3.52 [89]	3.88 [98]	3.88 [99]
5	8.13 [206]	1.50 [38]	1.00 [25]	10.53 [268]	3.81 [97]	.28 [7]	4.08 [104]	4.27 [108]	3.75 [95]

DO NOT SCALE  
DIMS IN INCHES [MM]

PROJECTION



25 & 26 F1 - F5  
(1 & 2 F1 - F5 SPEC 0 PUMP)



✓ = UNIT SELECTED  
DIMENSIONS IN INCHES  
WEIGHTS IN POUNDS

\* DIMENSIONS AND MOTOR WEIGHTS WILL VARY BASED ON MOTOR MANUFACTURER AND TYPE. CHART DIMENSIONS AND MOTOR WEIGHTS BASED ON TEFC 3 PHASE MOTORS.

RV = RELIEF VALVE  
LOVEJOY COUPLINGS STANDARD

PUMP	CP	CP1	HL	J	X	PUMP WEIGHT
1 & 2 F1 SPEC 0	6.44	8.55	3.44	.88	3.63	7
1 & 2 F3 SPEC 0	7.31	9.52	3.57	1.00	4.00	10
1 & 2 F5 SPEC 0	8.13	10.53	3.81	1.00	4.25	14

✓	MOTOR FRAME	MOTOR WEIGHT	BASE/CPLG/HWRE WT	*C	D	*HM	□			(GAP)
							F1	F3	F5	
	56	34	75	12.31	3.5	9.41	7.86	7.86	8.17	.50
	143T	58		12.56						
	145T	65		12.82						
	182T	97	80	16.56	4.5	11.86	N/A	N/A	9.17	.75
	184T	110		18.06						



ROPER PUMP COMPANY  
P.O. BOX 269  
3475 OLD MAYSVILLE RD  
COMMERCE, GEORGIA 30529 U.S.A.

TELEPHONE: (706) 335-5551  
TELEFAX: (706) 335-5505

DATE: \_\_\_\_\_

PUMP NO.: \_\_\_\_\_

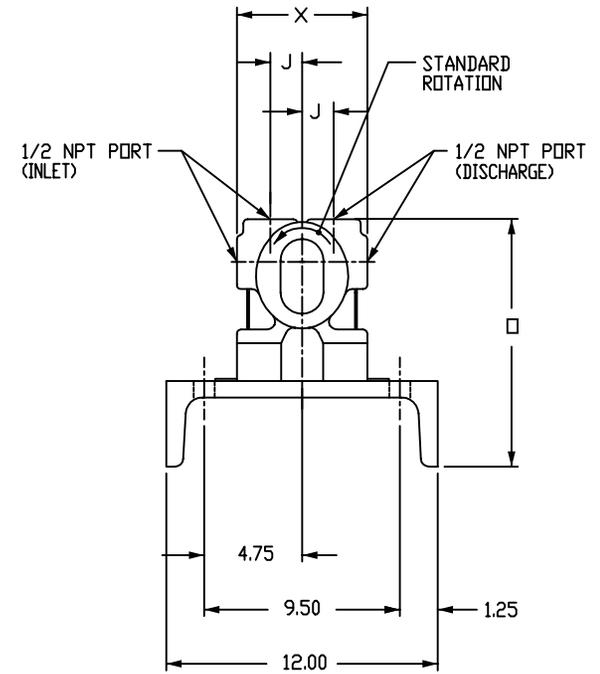
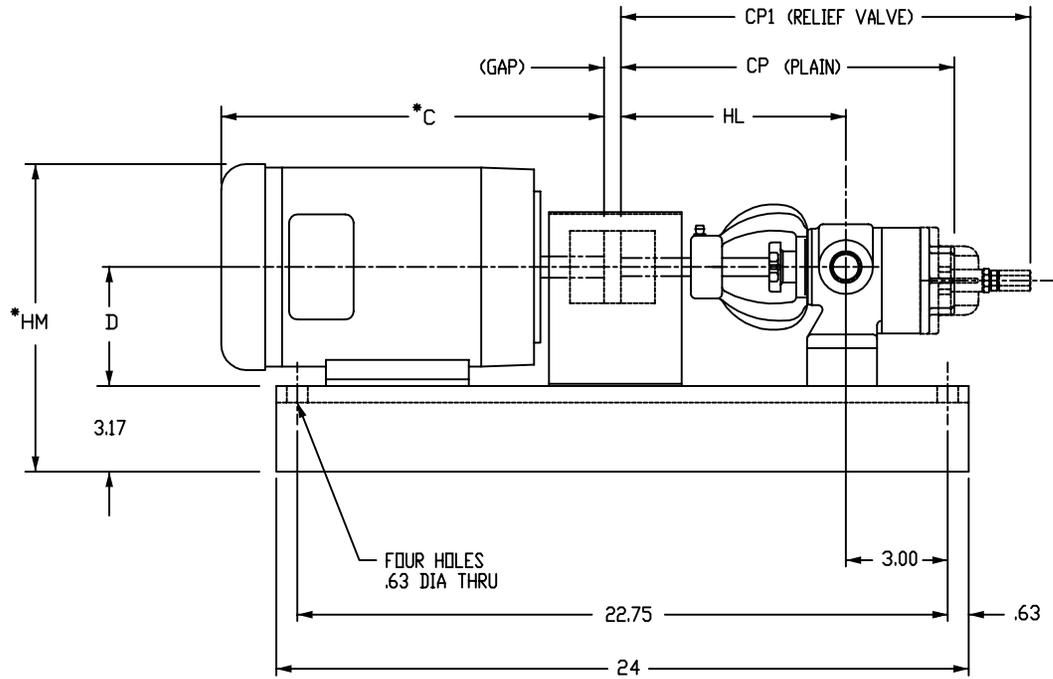
ROPER NO.: \_\_\_\_\_

CUSTOMER: \_\_\_\_\_

CUSTOMER NO.: \_\_\_\_\_

SERVICE: \_\_\_\_\_

25 & 26 F1 - F5  
(1 & 2 F1 - F5 SPEC 5 PUMP)



✓ = UNIT SELECTED  
DIMENSIONS IN INCHES  
WEIGHTS IN POUNDS

\* DIMENSIONS AND MOTOR WEIGHTS WILL VARY BASED ON MOTOR MANUFACTURER AND TYPE. CHART DIMENSIONS AND MOTOR WEIGHTS BASED ON TEFC 3 PHASE MOTORS.

RV = RELIEF VALVE  
LOVEJOY COUPLINGS STANDARD

PUMP	CP	CP1	HL	J	X	PUMP WEIGHT
1 & 2 F1 SPEC 5	9.27	11.38	6.27	.88	3.63	10
1 & 2 F3 SPEC 5	10.13	12.34	6.39	1.00	4.00	12
1 & 2 F5 SPEC 5	11.01	13.42	6.70	1.00	4.25	14

✓	MOTOR FRAME	MOTOR WEIGHT	BASE/CPLG/HWRE WT	*C	D	*HM	□			(GAP)
							F1	F3	F5	
	56	34	75	12.31	3.5	9.41	7.86	7.86	8.17	.50
	143T	58		12.56						
	145T	65		12.82						
	182T	97	80	16.56	4.5	11.86	N/A	N/A	9.17	.75
	184T	110		18.06						



ROPER PUMP COMPANY  
P.O. BOX 269  
3475 OLD MAYSVILLE RD  
COMMERCE, GEORGIA 30529 U.S.A.

TELEPHONE: (706) 335-5551  
TELEFAX: (706) 335-5505

DATE: \_\_\_\_\_

PUMP NO.: \_\_\_\_\_

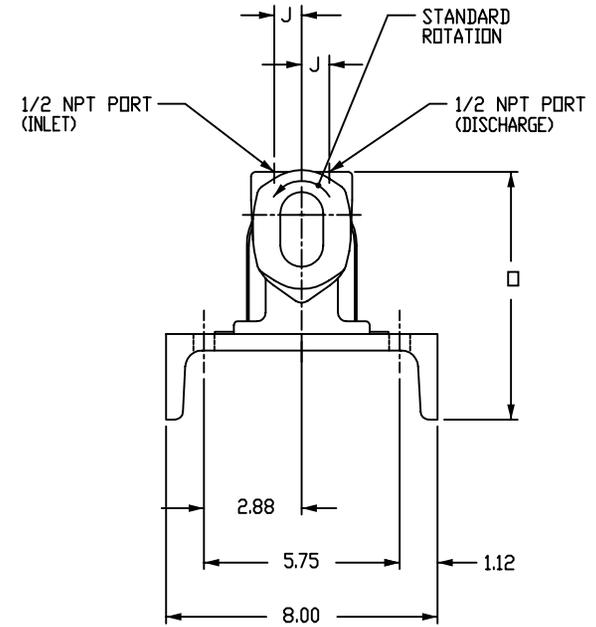
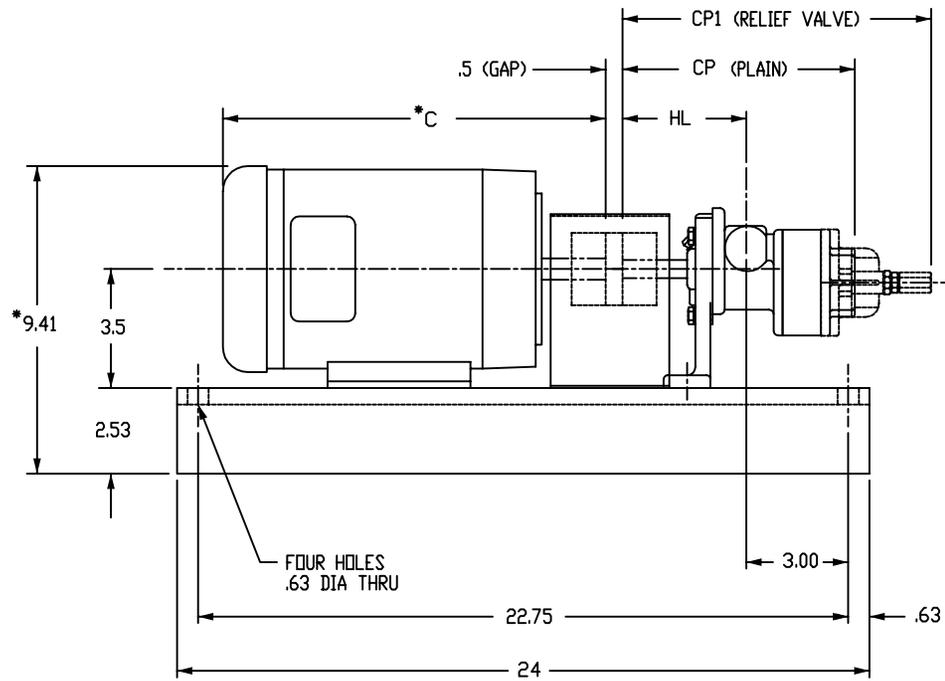
ROPER NO.: \_\_\_\_\_

CUSTOMER: \_\_\_\_\_

CUSTOMER NO.: \_\_\_\_\_

SERVICE: \_\_\_\_\_

25 & 26 F1 - F5  
 (17 & 18 F1 - F5 SPEC 0 PUMP)



PUMP	CP	CP1	HL	J	□	PUMP WEIGHT
17 & 18 F1 SPEC 0	6.44	8.55	3.44	.88	7.22	7
17 & 18 F3 SPEC 0	7.31	9.52	3.57	1.00	7.41	10
17 & 18 F5 SPEC 0	8.13	10.53	3.81	1.00	7.53	14

✓	MOTOR FRAME	MOTOR WEIGHT	BASE/CPLG/HWRE WT	*C
	56	34	47	12.31
	143T	58		12.56
	145T	65		12.82

✓ = UNIT SELECTED  
 DIMENSIONS IN INCHES  
 WEIGHTS IN POUNDS

\* DIMENSIONS AND MOTOR WEIGHTS WILL VARY BASED ON MOTOR MANUFACTURER AND TYPE. CHART DIMENSIONS AND MOTOR WEIGHTS BASED ON TEFC 3 PHASE MOTORS.

RV = RELIEF VALVE  
 LOVEJOY COUPLINGS STANDARD



ROPER PUMP COMPANY  
 P.O. BOX 269  
 3475 OLD MAYSVILLE RD  
 COMMERCE, GEORGIA 30529 U.S.A.

TELEPHONE: (706) 335-5551  
 TELEFAX: (706) 335-5505

DATE: \_\_\_\_\_

PUMP NO.: \_\_\_\_\_

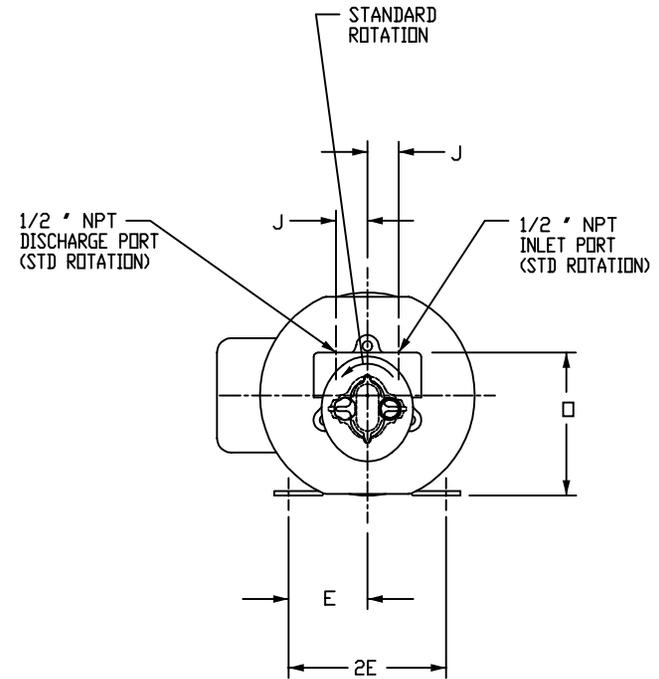
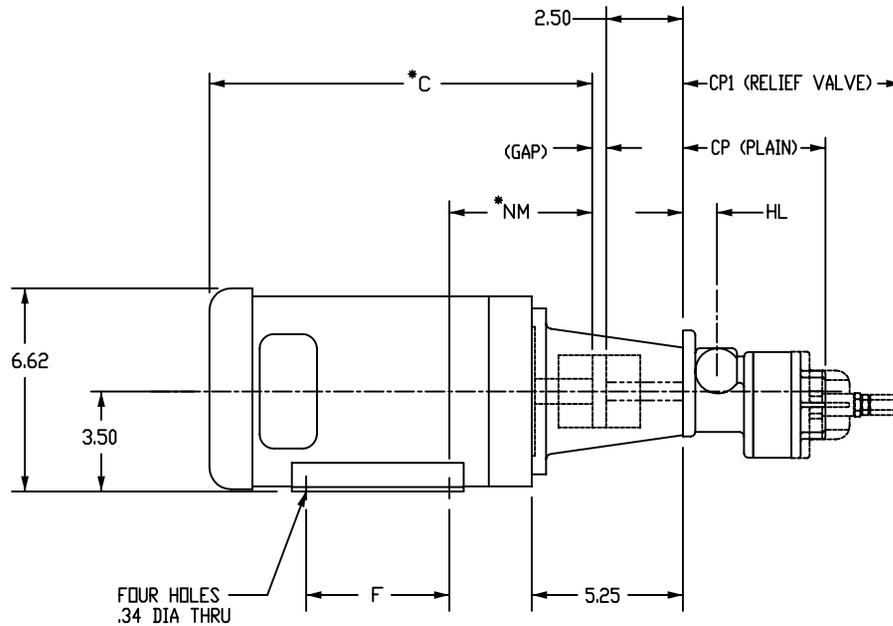
ROPER NO.: \_\_\_\_\_

CUSTOMER: \_\_\_\_\_

CUSTOMER NO.: \_\_\_\_\_

SERVICE: \_\_\_\_\_

33 & 34 F1-F5



PUMP	CP	CP1	HL	J	□	PUMP WEIGHT
1	3.94	6.05	.94	.88	4.69	7
3	4.81	7.02	1.07	1.00	4.88	10
5	5.63	8.03	1.31	1.00	5.00	14

✓ = UNIT SELECTED  
 DIMENSIONS IN INCHES  
 WEIGHTS IN POUNDS

\* DIMENSIONS AND MOTOR WEIGHTS WILL VARY BASED ON MOTOR MANUFACTURER AND TYPE. CHART DIMENSIONS AND MOTOR WEIGHTS BASED ON TEFC 3 PHASE MOTORS.

RV = RELIEF VALVE  
 LOVEJOY COUPLINGS STANDARD

✓	MOTOR FRAME	*MOTOR WEIGHT	BRACKET/CPLG/HWRE WT	*C	E	2E	F	NM	(GAP)
	56C	34	35	12.31	2.44	4.88	5.00	4.63	.69
	143TC	58		12.56	2.75	5.50	4.00	4.50	.63
	145TC	65		12.82			5.00		



ROPER PUMP COMPANY  
 P.O. BOX 269  
 3475 OLD MAYSVILLE RD  
 COMMERCE, GEORGIA 30529 U.S.A.

TELEPHONE: (706) 335-5551  
 TELEFAX: (706) 335-5505

DATE: \_\_\_\_\_

PUMP NO.: \_\_\_\_\_

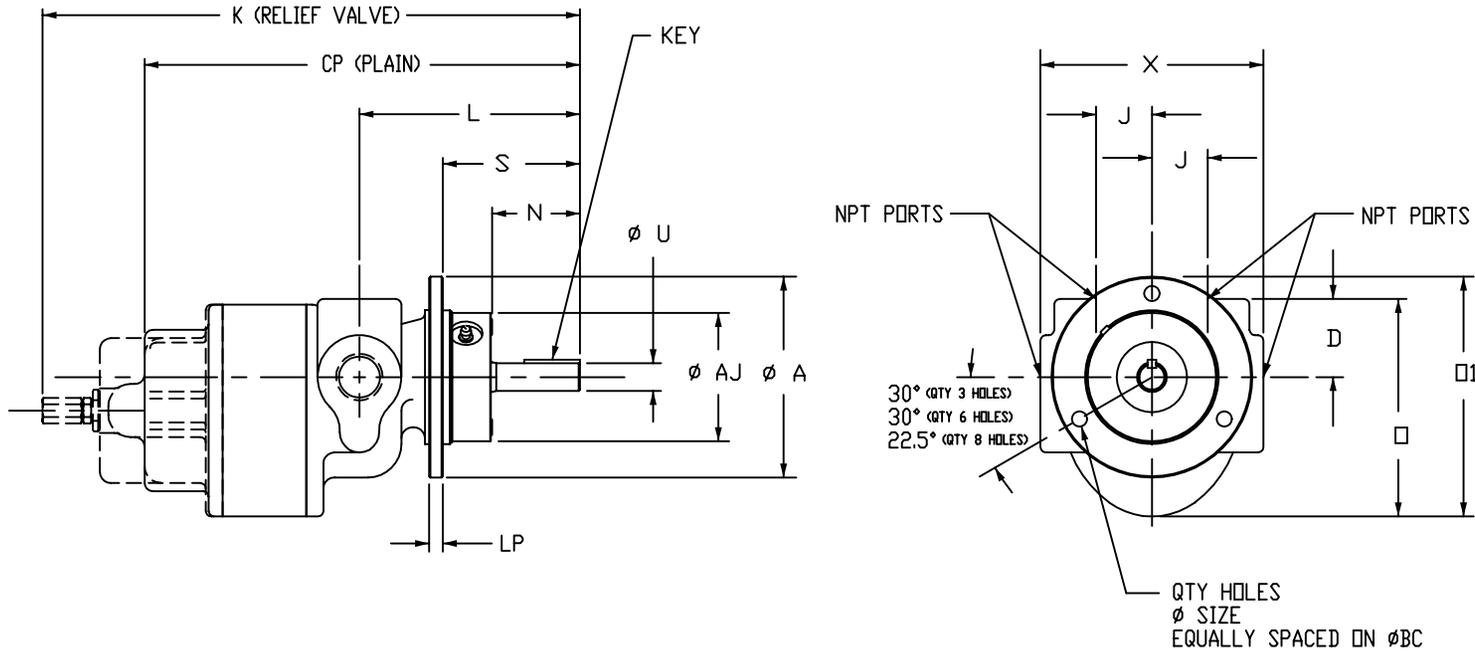
ROPER NO.: \_\_\_\_\_

CUSTOMER: \_\_\_\_\_

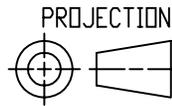
CUSTOMER NO.: \_\_\_\_\_

SERVICE: \_\_\_\_\_

17 & 18 F 10 - F100 SPEC 0

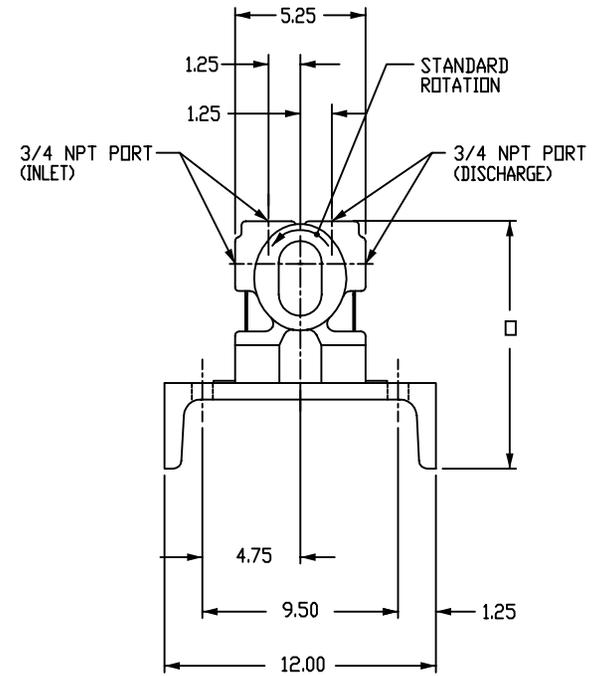
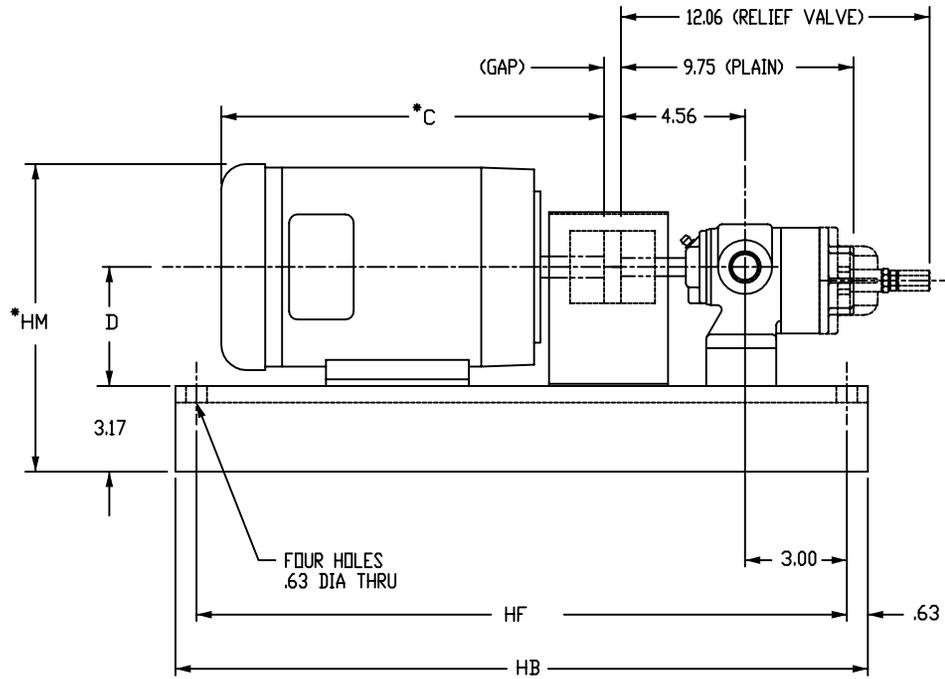


DO NOT SCALE  
DIMS IN INCHES [MM]



PUMP	A	AJ	CP	D	J	K	L	LP	N	Ø	Ø1	S	U	X	HOLES	PORTS	KEY
10	4.50 [114]	2.9985 [76.16] 2.9965 [76.11]	9.75 [248]	1.75 [44]	1.25 [32]	12.06 [306]	4.94 [125]	.31 [8]	1.98 [50]	4.88 [124]	5.38 [137]	3.06 [78]	.63 [15.9]	5.00 [127]	(3) Ø .34 DN 3.75 ØBC (3) Ø 8.7 DN 95 ØBC	3/4" NPT	.19 SQ X 1.25 [4.8 X 31.7]
15	6.00 [152]	3.500 [88.90] 3.498 [88.85]	11.40 [290]	2.25 [57]	1.50 [38]	14.36 [365]	5.24 [133]	.56 [14]	1.91 [49]	5.97 [152]	6.72 [171]	3.56 [90]	.75 [19.1]	6.25 [159]	(6) 5/16-18 DN 5.0 ØBC [127 ØBC]	1-1/4" NPT	.19 SQ X 1.25 [4.8 X 31.7]
20	6.00 [152]	3.500 [88.90] 3.498 [88.85]	11.78 [299]	2.25 [57]	1.50 [38]	14.73 [374]	5.24 [133]	.56 [14]	1.91 [49]	5.97 [152]	6.72 [171]	3.56 [90]	.75 [19.1]	6.25 [159]	(6) 5/16-18 DN 5.0 ØBC [127 ØBC]	1-1/4" NPT	.19 SQ X 1.25 [4.8 X 31.7]
35	7.50 [191]	4.000 [101.60] 3.998 [101.55]	15.30 [388]	2.75 [70]	2.00 [51]	18.44 [468]	7.16 [182]	.50 [13]	3.33 [85]	7.82 [199]	8.82 [224]	5.16 [131]	.88 [22.2]	7.75 [197]	(6) 3/8-16 DN 6.44 ØBC [164 ØBC]	1-1/2" NPT	.19 SQ X 2.00 [4.8 X 50.8]
50	7.50 [191]	4.000 [101.60] 3.998 [101.55]	16.73 [425]	3.25 [83]	2.25 [57]	20.44 [519]	7.91 [201]	.50 [13]	3.29 [84]	9.09 [231]	9.59 [243]	5.16 [131]	1.00 [25.4]	8.75 [222]	(6) 3/8-16 DN 6.44 ØBC [164 ØBC]	2" NPT	.25 SQ X 2.00 [4.8 X 50.8]
75	9.00 [229]	4.998 [126.95] 4.996 [126.90]	18.84 [479]	3.50 [89]	2.63 [67]	22.43 [570]	8.34 [212]	.75 [19]	3.59 [91]	9.92 [252]	10.92 [277]	5.78 [147]	1.25 [31.8]	10.63 [270]	(6) 1/2-13 DN 7.75 ØBC [197 ØBC]	2-1/2" NPT	.25 SQ X 2.50 [6.3 X 63.5]
100	9.00 [229]	4.998 [126.95] 4.996 [126.90]	20.72 [526]	4.12 [105]	2.63 [67]	24.53 [623]	9.15 [232]	.75 [19]	3.97 [101]	11.66 [296]	12.04 [306]	6.15 [156]	1.25 [31.8]	10.63 [270]	(8) 1/2-13 DN 7.75 ØBC [197 ØBC]	2-1/2" NPT	.25 SQ X 2.50 [6.3 X 63.5]

25 & 26 F10  
(1 & 2 F10 SPEC 0 PUMP)



✓ = UNIT SELECTED  
DIMENSIONS IN INCHES  
WEIGHTS IN POUNDS

\* DIMENSIONS AND MOTOR WEIGHTS WILL VARY BASED ON MOTOR MANUFACTURER AND TYPE. CHART DIMENSIONS AND MOTOR WEIGHTS BASED ON TEFC 3 PHASE MOTORS.

RV = RELIEF VALVE  
LOVEJOY COUPLINGS STANDARD  
APPROX PUMP WEIGHT = 24 LBS

✓	MOTOR FRAME	*MOTOR WEIGHT	BASE/CPLG/HWRE WT	*C	D	HB	HF	*HM	□	(GAP)
	56	34	75	12.31	3.5	24	22.75	10.65	8.55	.50
	143T	58		12.56						
	145T	65		12.82						
	182T	97	80	16.56	4.5	28	26.75	14.42	9.55	.75
	184T	110		18.06						
	213T	162		18.56						
	215T	189	90	21.09	5.25	32	30.75	16.17	10.30	.88



ROPER PUMP COMPANY  
P.O. BOX 269  
3475 OLD MAYSVILLE RD  
COMMERCE, GEORGIA 30529 U.S.A.

TELEPHONE: (706) 335-5551  
TELEFAX: (706) 335-5505

DATE: \_\_\_\_\_

PUMP NO.: \_\_\_\_\_

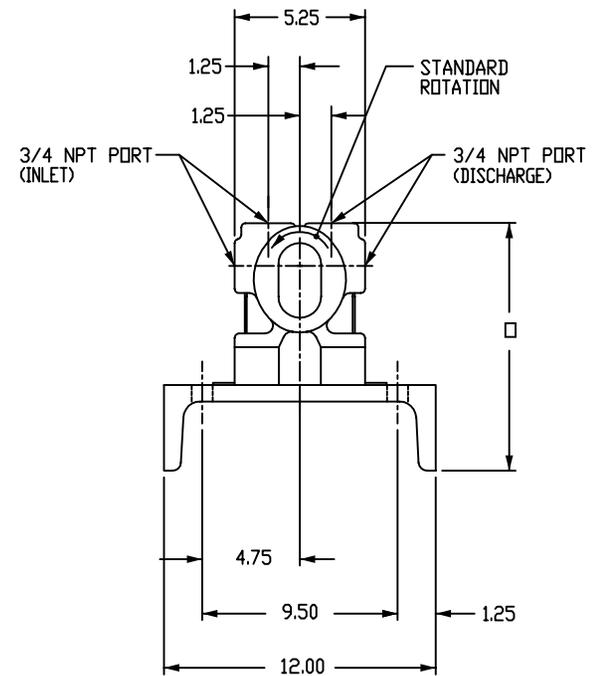
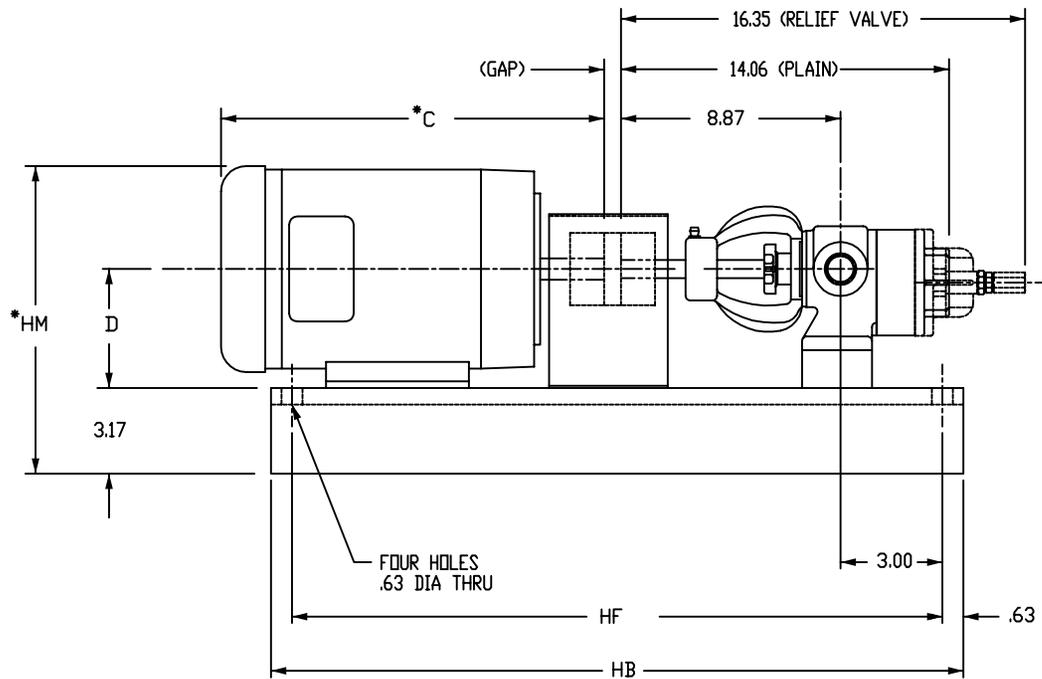
ROPER NO.: \_\_\_\_\_

CUSTOMER: \_\_\_\_\_

CUSTOMER NO.: \_\_\_\_\_

SERVICE: \_\_\_\_\_

25 & 26 F10  
(1 & 2 F10 SPEC 5 PUMP)



✓ = UNIT SELECTED  
DIMENSIONS IN INCHES  
WEIGHTS IN POUNDS

\* DIMENSIONS AND MOTOR WEIGHTS WILL VARY BASED ON MOTOR MANUFACTURER AND TYPE. CHART DIMENSIONS AND MOTOR WEIGHTS BASED ON TEFC 3 PHASE MOTORS.

RV = RELIEF VALVE

LOVEJOY COUPLINGS STANDARD  
APPROX PUMP WEIGHT = 27 LBS

✓	MOTOR FRAME	*MOTOR WEIGHT	BASE/CPLG/HWRE WT	*C	D	HB	HF	*HM	□	(GAP)
	56	34	75	12.31	3.5	24	22.75	10.65	8.55	.50
	143T	58		12.56						
	145T	65		12.82						
	182T	97	80	16.56	4.5	28	26.75	14.42	9.55	.75
	184T	110		18.06						
	213T	162	90	18.56	5.25	32	30.75	16.17	10.30	.88
	215T	189		21.09						



ROPER PUMP COMPANY  
P.O. BOX 269  
3475 OLD MAYSVILLE RD  
COMMERCE, GEORGIA 30529 U.S.A.

TELEPHONE: (706) 335-5551  
TELEFAX: (706) 335-5505

DATE: \_\_\_\_\_

PUMP NO.: \_\_\_\_\_

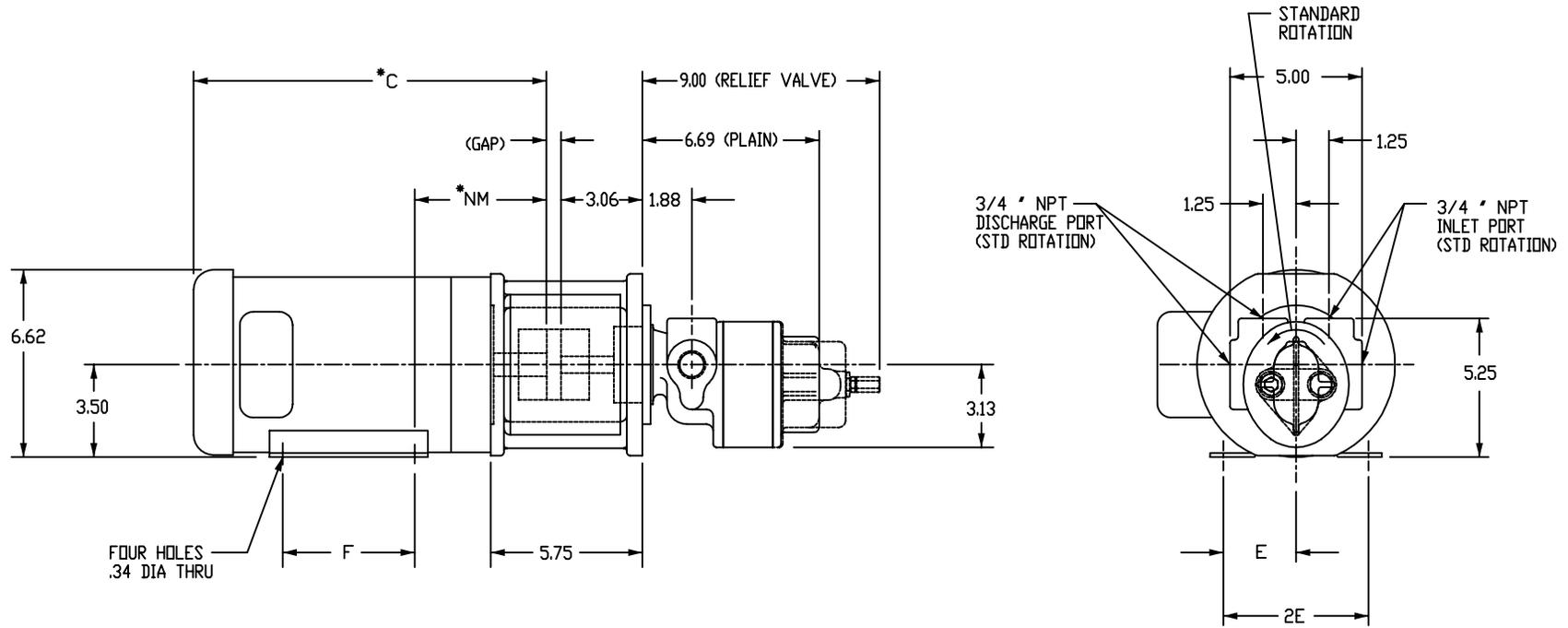
ROPER NO.: \_\_\_\_\_

CUSTOMER: \_\_\_\_\_

CUSTOMER NO.: \_\_\_\_\_

SERVICE: \_\_\_\_\_

### 33 & 34 F10



✓	MOTOR FRAME	MOTOR WEIGHT	BRACKET/CPLG/HWRE WT	*C	E	2E	F	NM	(GAP)
	56C	34	35	12.31	2.44	4.88	5.00	4.63	.56
	143TC	58		12.56	2.75	5.50	4.00	4.50	.50
	145TC	65		12.82			5.00		

✓ = UNIT SELECTED

DIMENSIONS IN INCHES  
WEIGHTS IN POUNDS

\* DIMENSIONS AND MOTOR WEIGHTS WILL VARY BASED ON MOTOR MANUFACTURER AND TYPE. CHART DIMENSIONS AND MOTOR WEIGHTS BASED ON TEFC 3 PHASE MOTORS.

RV = RELIEF VALVE

LOVEJOY COUPLINGS STANDARD  
APPROX PUMP WEIGHT = 24 LBS



ROPER PUMP COMPANY  
P.O. BOX 269  
3475 OLD MAYSVILLE RD  
COMMERCE, GEORGIA 30529 U.S.A.

TELEPHONE: (706) 335-5551  
TELEFAX: (706) 335-5505

DATE: \_\_\_\_\_

PUMP NO.: \_\_\_\_\_

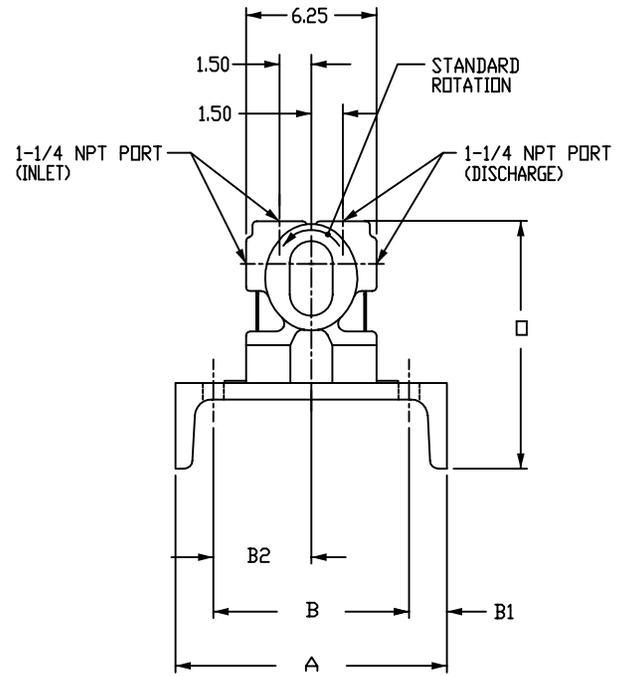
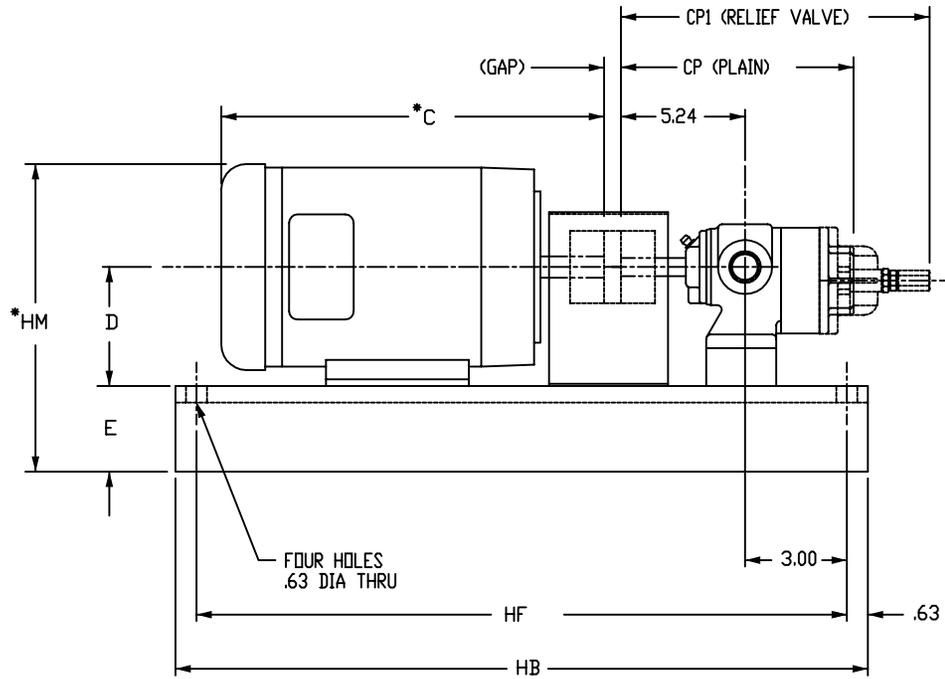
ROPER NO.: \_\_\_\_\_

CUSTOMER: \_\_\_\_\_

CUSTOMER NO.: \_\_\_\_\_

SERVICE: \_\_\_\_\_

25 & 26 F15 - F20  
(1 & 2 F15 - F20 SPEC 0 PUMP)



PUMP	CP	CP1	PUMP WEIGHT
1 & 2 F15 SPEC 0	11.40	14.36	36
1 & 2 F20 SPEC 0	11.78	14.73	37

✓ = UNIT SELECTED  
DIMENSIONS IN INCHES  
WEIGHTS IN POUNDS

\* DIMENSIONS AND MOTOR WEIGHTS WILL VARY BASED ON MOTOR MANUFACTURER AND TYPE. CHART DIMENSIONS AND MOTOR WEIGHTS BASED ON TEFC 3 PHASE MOTORS.

RV = RELIEF VALVE  
LOVEJOY COUPLINGS STANDARD

✓	MOTOR FRAME	*MOTOR WEIGHT	BASE/CPLG/HWRE WT	A	B	B1	B2	*C	D	E	HB	HF	*HM	□	(GAP)					
	143T	58	75	12	9.50	1.25	4.75	12.56	4.25	3.17	28	26.75	11.40	9.67	.50					
	145T	65						12.82												
	182T	97	80					4.50	3.17							28	26.75	11.40	9.67	.50
	184T	110																		
	213T	162	90					5.25	3.38							36	30.75	16.17	10.67	.88
	215T	189																		
	254T	283	120	15	12.25	1.38	6.13	23.19	6.25	3.38	36	34.75	17.56	11.88	1.0					



ROPER PUMP COMPANY  
P.O. BOX 269  
3475 OLD MAYSVILLE RD  
COMMERCE, GEORGIA 30529 U.S.A.

TELEPHONE: (706) 335-5551  
TELEFAX: (706) 335-5505

DATE: \_\_\_\_\_

PUMP NO.: \_\_\_\_\_

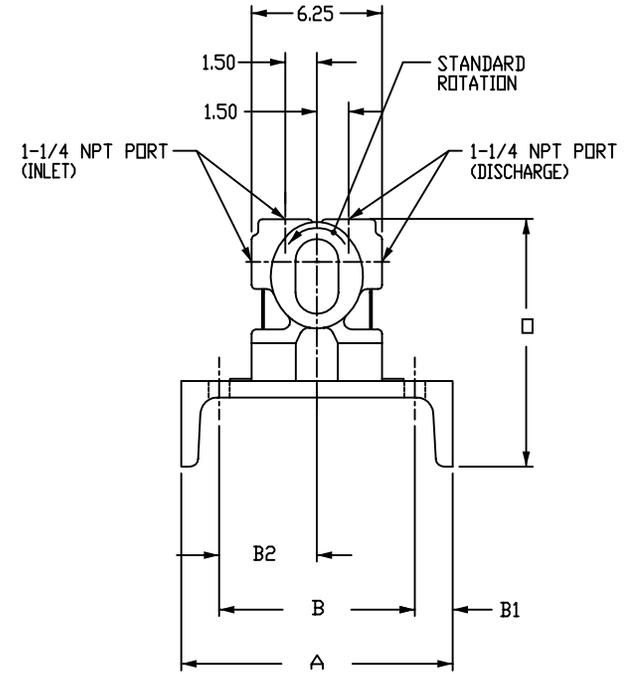
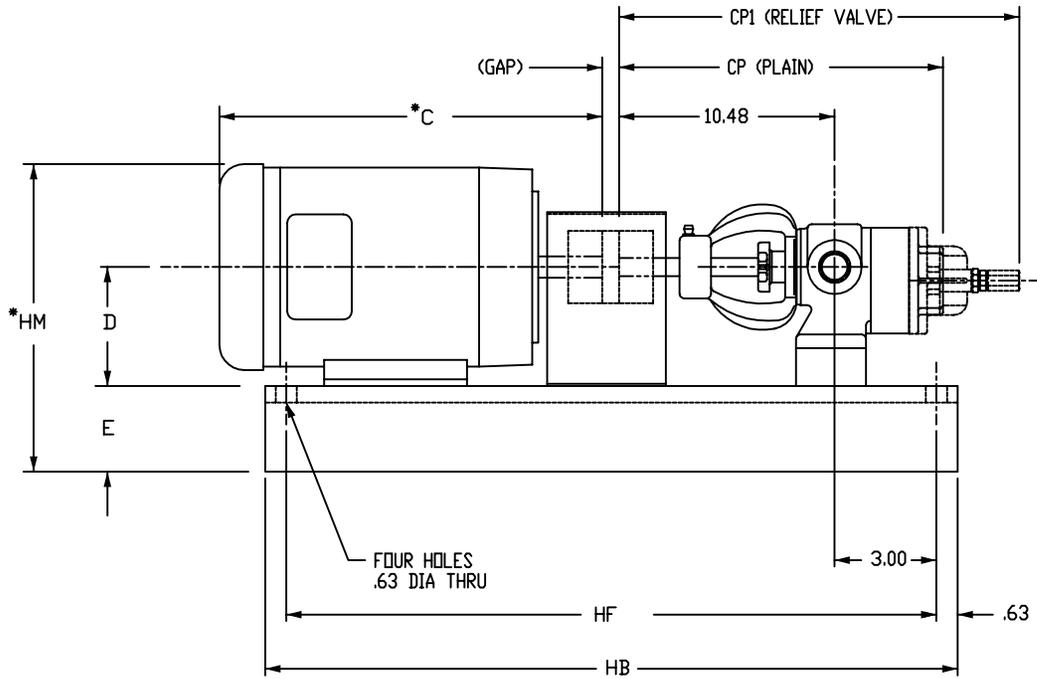
ROPER NO.: \_\_\_\_\_

CUSTOMER: \_\_\_\_\_

CUSTOMER NO.: \_\_\_\_\_

SERVICE: \_\_\_\_\_

25 & 26 F15 - F20  
(1 & 2 F15 - F20 SPEC 5 PUMP)



PUMP	CP	CP1	PUMP WEIGHT
1 & 2 F15 SPEC 5	16.63	19.59	43
1 & 2 F20 SPEC 5	17.01	19.97	44

✓ = UNIT SELECTED

DIMENSIONS IN INCHES  
WEIGHTS IN POUNDS

\* DIMENSIONS AND MOTOR WEIGHTS WILL VARY BASED ON  
MOTOR MANUFACTURER AND TYPE. CHART DIMENSIONS  
AND MOTOR WEIGHTS BASED ON TEFC 3 PHASE MOTORS.

RV = RELIEF VALVE

LOVEJOY COUPLINGS STANDARD

✓	MOTOR FRAME	*MOTOR WEIGHT	BASE/CPLG/HWRE WT	A	B	B1	B2	*C	D	E	HB	HF	*HM	□	(GAP)
	143T	58	75	12	9.50	1.25	4.75	12.56	4.25	3.17	28	26.75	11.40	9.67	.50
	145T	65	12.82					4.50	9.92				.75		
	182T	97	16.56					5.25	10.67				.88		
	184T	110	18.06					5.25	10.67				.88		
	213T	162	90	15	12.25	1.38	6.13	21.09	6.25	3.38	36	34.75	16.17	10.67	.88
	215T	189	23.19					6.25	17.56				11.88	1.0	
	254T	283	120	15	12.25	1.38	6.13	23.19	6.25	3.38	36	34.75	17.56	11.88	1.0



ROPER PUMP COMPANY  
P.O. BOX 269  
3475 OLD MAYSVILLE RD  
COMMERCE, GEORGIA 30529 U.S.A.

TELEPHONE: (706) 335-5551  
TELEFAX: (706) 335-5505

DATE: \_\_\_\_\_

PUMP NO.: \_\_\_\_\_

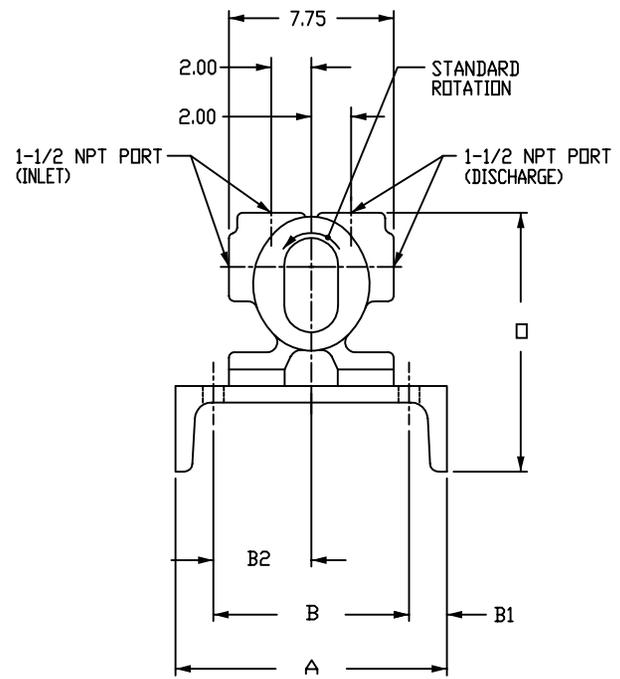
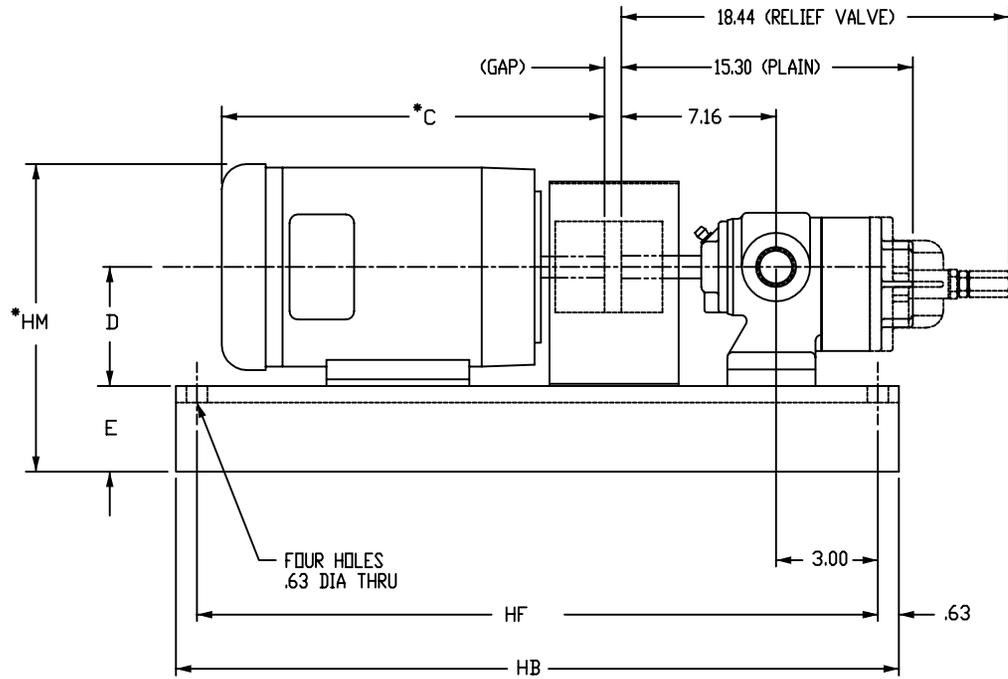
ROPER NO.: \_\_\_\_\_

CUSTOMER: \_\_\_\_\_

CUSTOMER NO.: \_\_\_\_\_

SERVICE: \_\_\_\_\_

25 & 26 F35  
(1 & 2 F35 SPEC 0 PUMP)



✓ = UNIT SELECTED  
 DIMENSIONS IN INCHES  
 WEIGHTS IN POUNDS  
 \* DIMENSIONS AND MOTOR WEIGHTS WILL VARY BASED ON  
 MOTOR MANUFACTURER AND TYPE. CHART DIMENSIONS  
 AND MOTOR WEIGHTS BASED ON TEFC 3 PHASE MOTORS.  
 RV = RELIEF VALVE  
 LOVEJOY COUPLINGS STANDARD  
 APPROX PUMP WEIGHT = 75 LBS

✓	MOTOR FRAME	*MOTOR WEIGHT	BASE/CPLG/HWRE WT	A	B	B1	B2	*C	D	E	HB	HF	*HM	□	(GAP)
	145T	65	75	12	9.50	1.25	4.75	12.82	5.75	3.17	28	26.75	12.90	11.67	.50
	182T	97	80					16.56			32	30.75	15.67		.75
	184T	110	90					18.06			36	34.75	16.67		.88
	213T	162						21.09							
	215T	189	120	15	12.25	1.38	6.13	23.19	6.25	3.38	40	38.75	17.56	12.38	1.0
	254T	283													
	256T	290													

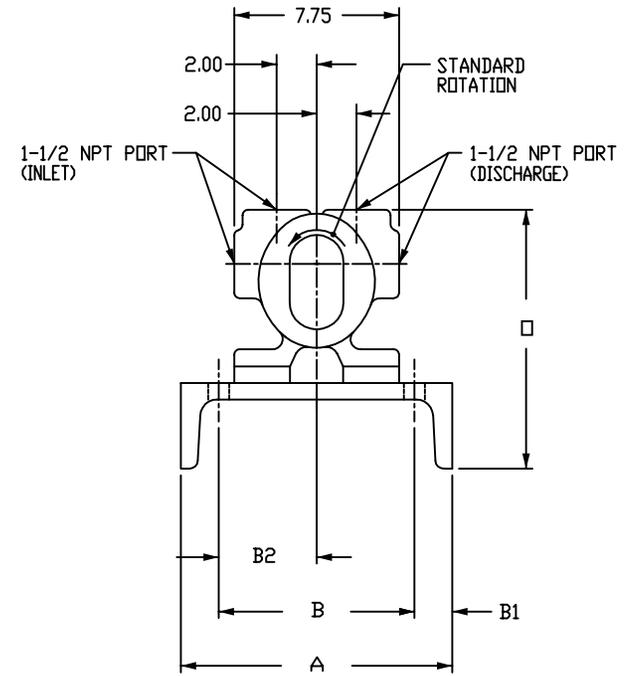
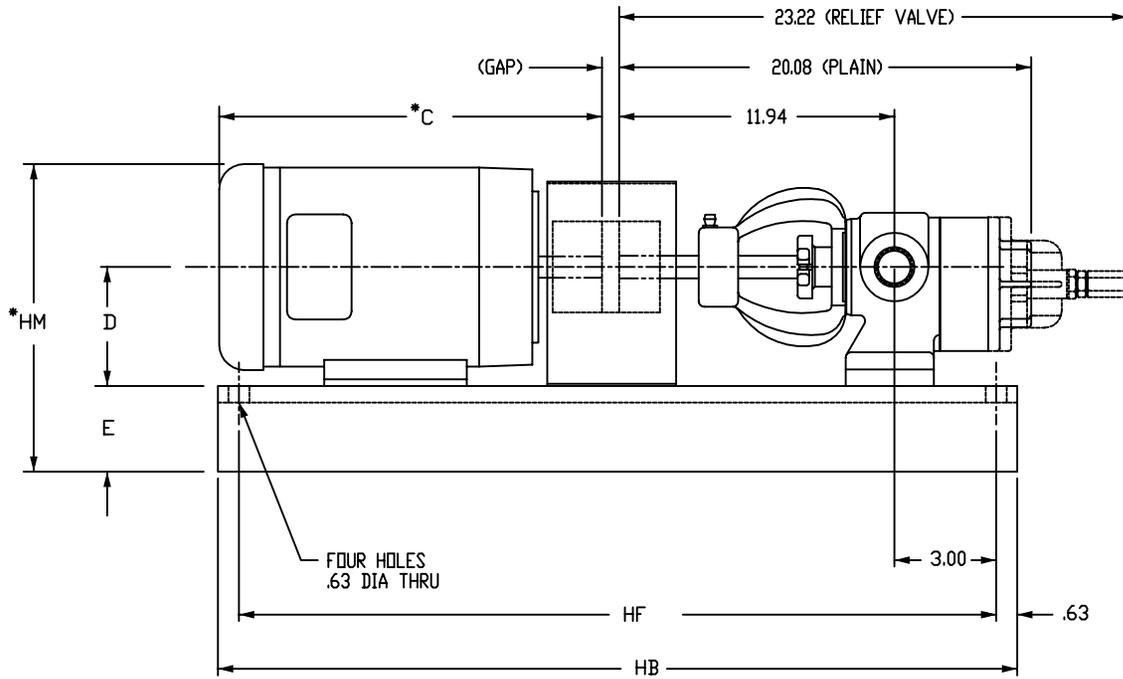


ROPER PUMP COMPANY  
 P.O. BOX 269  
 3475 OLD MAYSVILLE RD  
 COMMERCE, GEORGIA 30529 U.S.A.

TELEPHONE: (706) 335-5551  
 TELEFAX: (706) 335-5505

DATE: \_\_\_\_\_  
 PUMP NO.: \_\_\_\_\_  
 ROPER NO.: \_\_\_\_\_  
 CUSTOMER: \_\_\_\_\_  
 CUSTOMER NO.: \_\_\_\_\_  
 SERVICE: \_\_\_\_\_

25 & 26 F35  
(1 & 2 F35 SPEC 5 PUMP)



✓ = UNIT SELECTED  
DIMENSIONS IN INCHES  
WEIGHTS IN POUNDS

\* DIMENSIONS AND MOTOR WEIGHTS WILL VARY BASED ON MOTOR MANUFACTURER AND TYPE. CHART DIMENSIONS AND MOTOR WEIGHTS BASED ON TEFC 3 PHASE MOTORS.

RV = RELIEF VALVE  
LOVEJOY COUPLINGS STANDARD  
APPROX PUMP WEIGHT = 84 LBS

✓	MOTOR FRAME	*MOTOR WEIGHT	BASE/CPLG/HWRE WT	A	B	B1	B2	*C	D	E	HB	HF	*HM	□	(GAP)	
	145T	65	75	12	9.50	1.25	4.75	12.82	5.75	3.17	28	26.75	12.90	11.67	.50	
	182T	97	80					16.56							.75	
	184T	110	90					18.06							.88	
	213T	162	90					18.56								
	215T	189	120	21.09	15	12.25	1.38	6.13	23.19	6.25	3.38	40	38.75	17.56	12.38	1.0
	254T	283														
	256T	290														



ROPER PUMP COMPANY  
P.O. BOX 269  
3475 OLD MAYSVILLE RD  
COMMERCE, GEORGIA 30529 U.S.A.

TELEPHONE: (706) 335-5551  
TELEFAX: (706) 335-5505

DATE: \_\_\_\_\_

PUMP NO.: \_\_\_\_\_

ROPER NO.: \_\_\_\_\_

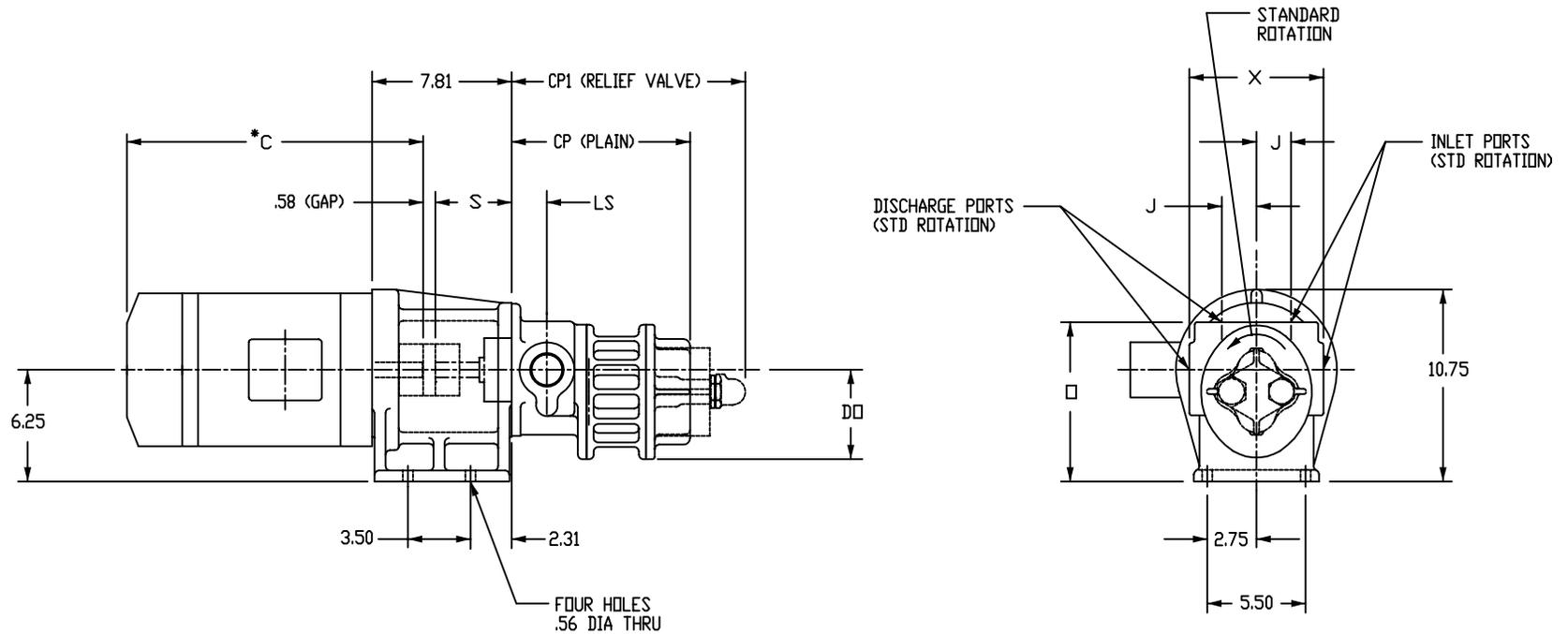
CUSTOMER: \_\_\_\_\_

CUSTOMER NO.: \_\_\_\_\_

SERVICE: \_\_\_\_\_

33 & 34 F35 - F50  
 (17 & 18 F35 - F50 SPEC 5795 PUMP)

SPEC 5795 PUMP = SHORTENED SHAFT TO ACCOMMODATE BRACKET



✓	PUMP	CP	CP1	DD	J	LS	□	S	X	PORT	PUMP WEIGHT
	35	10.14	13.28	5.07	2.00	2.00	9.00	4.66	7.75	1-1/2" NPT	75
	50	11.57	15.28	5.84	2.25	2.75	9.50	4.66	8.75	2" NPT	95

✓	MOTOR FRAME	*MOTOR WEIGHT	BRACKET/CPLG/HDWRE WT	*C	F
	182TC	97	45	16.56	4.50
	184TC	110		18.06	5.50

✓ = UNIT SELECTED

DIMENSIONS IN INCHES  
 WEIGHTS IN POUNDS

\* DIMENSIONS AND MOTOR WEIGHTS WILL VARY BASED ON MOTOR MANUFACTURER AND TYPE. CHART DIMENSIONS AND MOTOR WEIGHTS BASED ON TEFC 3 PHASE MOTORS.

RV = RELIEF VALVE

LOVEJOY COUPLINGS STANDARD



ROPER PUMP COMPANY  
 P.O. BOX 269  
 3475 OLD MAYSVILLE RD  
 COMMERCE, GEORGIA 30529 U.S.A.

TELEPHONE: (706) 335-5551  
 TELEFAX: (706) 335-5505

DATE: \_\_\_\_\_

PUMP NO.: \_\_\_\_\_

ROPER NO.: \_\_\_\_\_

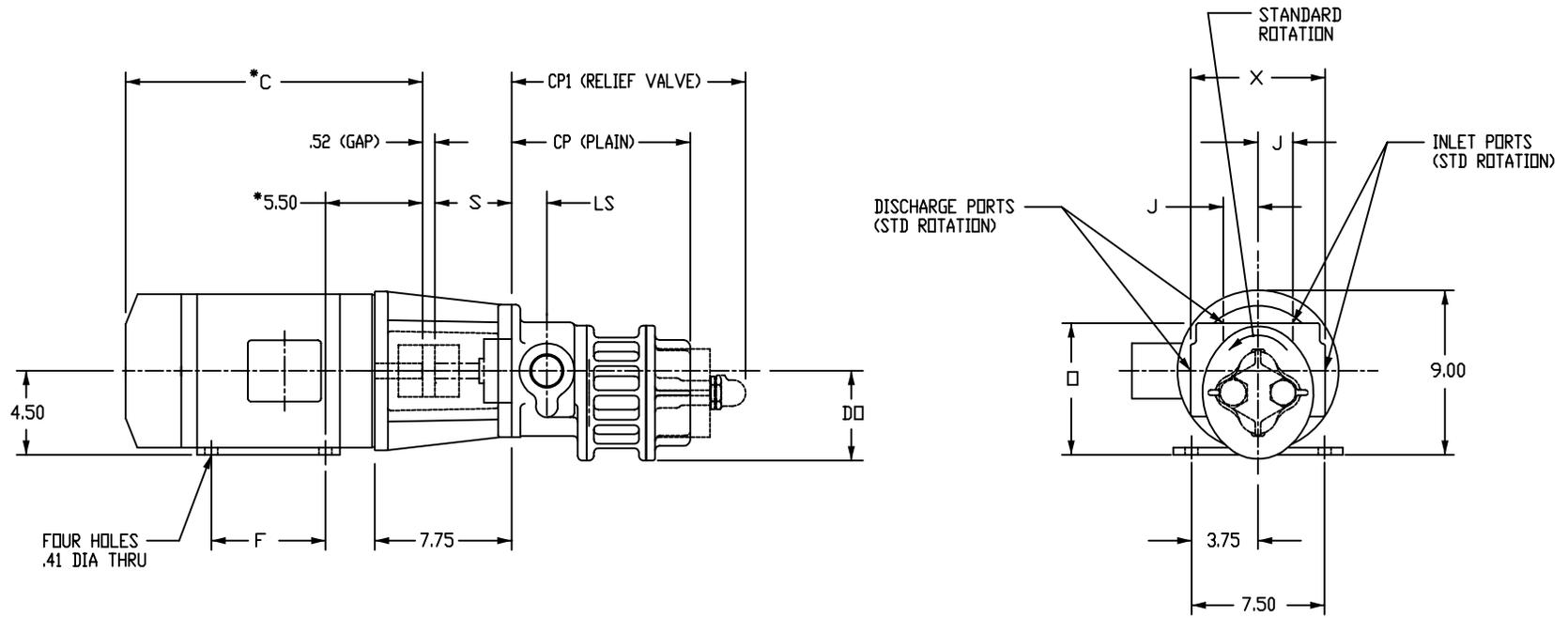
CUSTOMER: \_\_\_\_\_

CUSTOMER NO.: \_\_\_\_\_

SERVICE: \_\_\_\_\_

33 & 34 F35 - F50  
 (17 & 18 F35 - F50 SPEC 5795 PUMP)

SPEC 5795 PUMP = SHORTENED SHAFT TO ACCOMMODATE BRACKET



✓	PUMP	CP	CP1	DØ	J	LS	□	S	X	PORT	PUMP WEIGHT
	35	10.14	13.28	5.07	2.00	2.00	7.25	4.66	7.75	1-1/2" NPT	75
	50	11.57	15.28	5.84	2.25	2.75	7.75	4.66	8.75	2" NPT	95

✓	MOTOR FRAME	*MOTOR WEIGHT	BRACKET/CPLG/HWRE WT	*C	F
	182TC	97	45	16.56	4.50
	184TC	110		18.06	5.50

✓ = UNIT SELECTED  
 DIMENSIONS IN INCHES  
 WEIGHTS IN POUNDS

\* DIMENSIONS AND MOTOR WEIGHTS WILL VARY BASED ON MOTOR MANUFACTURER AND TYPE. CHART DIMENSIONS AND MOTOR WEIGHTS BASED ON TEFC 3 PHASE MOTORS.

RV = RELIEF VALVE  
 LOVEJOY COUPLINGS STANDARD



ROPER PUMP COMPANY  
 P.O. BOX 269  
 3475 OLD MAYSVILLE RD  
 COMMERCE, GEORGIA 30529 U.S.A.

TELEPHONE: (706) 335-5551  
 TELEFAX: (706) 335-5505

DATE: \_\_\_\_\_

PUMP NO.: \_\_\_\_\_

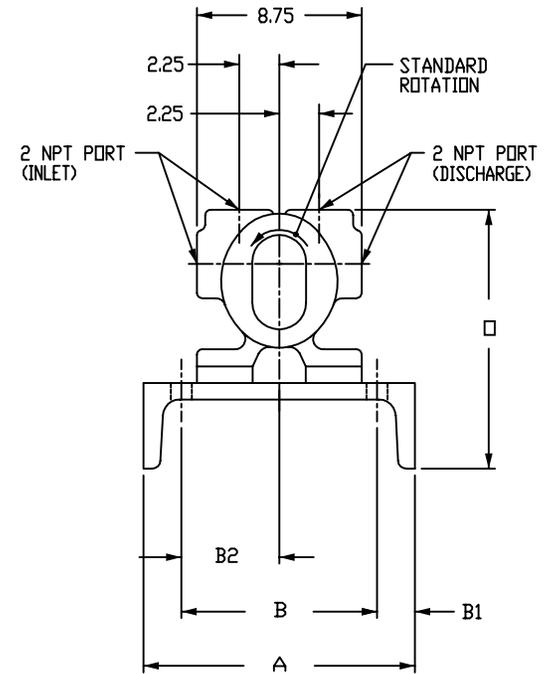
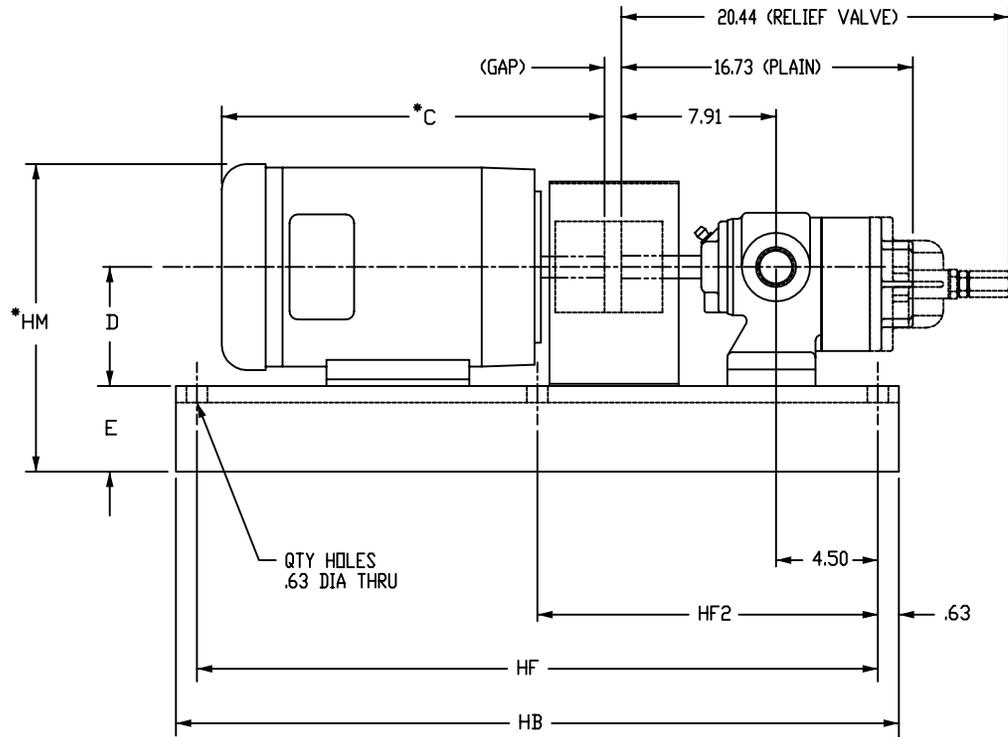
ROPER NO.: \_\_\_\_\_

CUSTOMER: \_\_\_\_\_

CUSTOMER NO.: \_\_\_\_\_

SERVICE: \_\_\_\_\_

25 & 26 F50  
(1 & 2 F50 SPEC 0 PUMP)



✓ MOTOR FRAME	BASE/CPLG/HWRE WT	A	B	B1	B2	E
182T / 184T	80	12	9.50	1.25	4.75	3.17
213T / 215T	90					
254T / 256T	120	15	12.25	1.38	6.13	3.38
284T / 286T	150					

✓ MOTOR FRAME	*MOTOR WEIGHT	*C	D	HB	HF	HF2	QTY	*HM	□	(GAP)
182T	97	16.56	6.25	32	30.75	N/A	FOUR	16.17	12.67	.75
184T	110	18.06								
213T	162	18.56		36	34.75	N/A	FOUR	17.17	.88	
215T	189	21.09								
254T	283	23.19	7.00	40	N/A	19.38	SIX	17.56	12.88	1.0
256T	290									
284T	396	27.76		44	N/A	21.38	SIX	20.54	13.63	
286T	417									

✓ = UNIT SELECTED  
DIMENSIONS IN INCHES  
WEIGHTS IN POUNDS

\* DIMENSIONS AND MOTOR WEIGHTS WILL VARY BASED ON MOTOR MANUFACTURER AND TYPE. CHART DIMENSIONS AND MOTOR WEIGHTS BASED ON TEFC 3 PHASE MOTORS.

RV = RELIEF VALVE  
LOVEJOY COUPLINGS STANDARD  
APPROX PUMP WEIGHT = 95 LBS



ROPER PUMP COMPANY  
P.O. BOX 269  
3475 OLD MAYSVILLE RD  
COMMERCE, GEORGIA 30529 U.S.A.

TELEPHONE: (706) 335-5551  
TELEFAX: (706) 335-5505

DATE: \_\_\_\_\_

PUMP NO.: \_\_\_\_\_

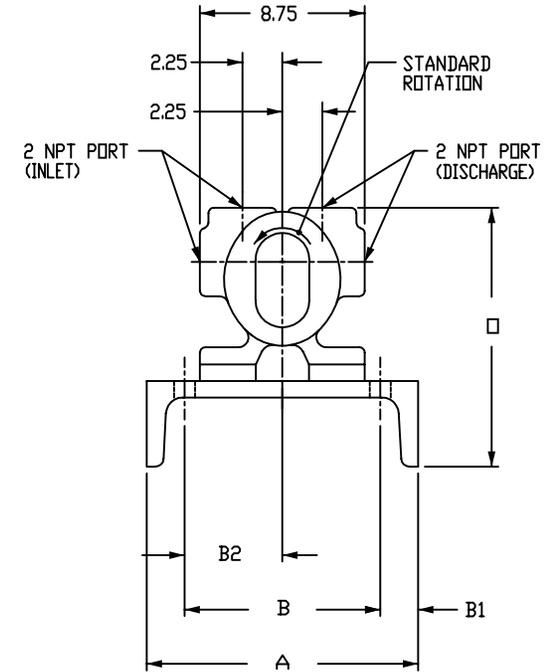
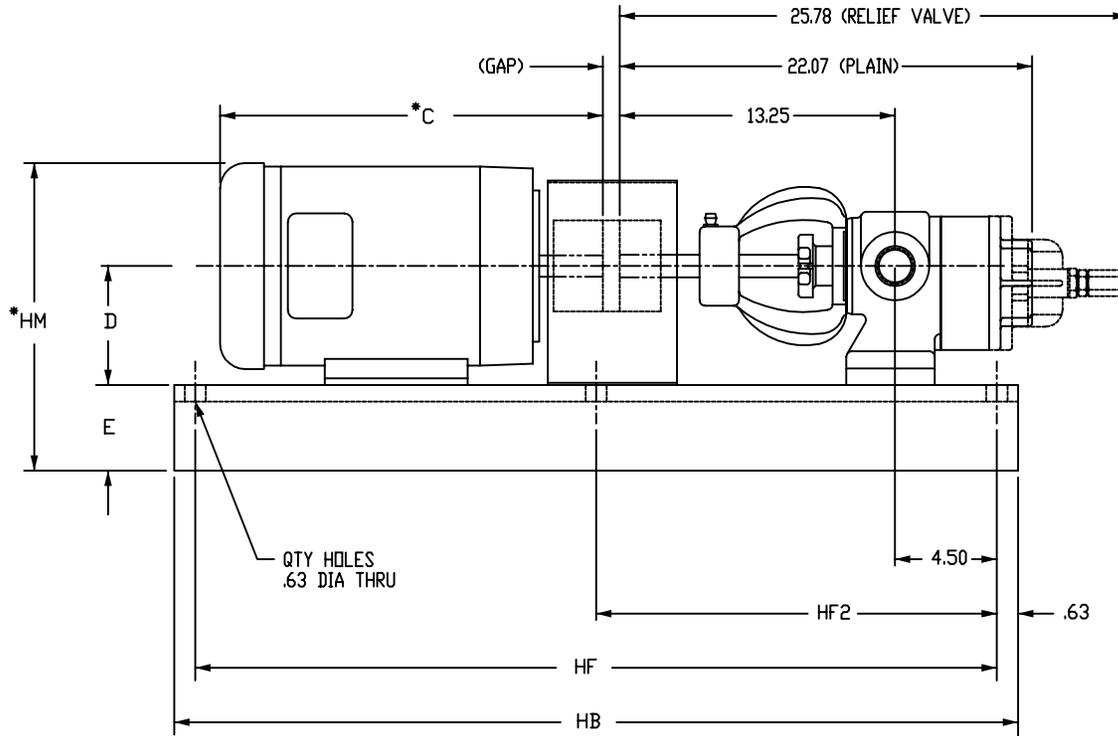
ROPER NO.: \_\_\_\_\_

CUSTOMER: \_\_\_\_\_

CUSTOMER NO.: \_\_\_\_\_

SERVICE: \_\_\_\_\_

25 & 26 F50  
(1 & 2 F50 SPEC 5 PUMP)



✓ MOTOR FRAME	BASE/CPLG/HWRE WT	A	B	B1	B2	E
182T / 184T	80	12	9.50	1.25	4.75	3.17
213T / 215T	90	15	12.25	1.38	6.13	3.38
254T / 256T	120					
284T / 286T	150					

✓ MOTOR FRAME	*MOTOR WEIGHT	*C	D	HB	HF	HF2	QTY	*HM	□	(GAP)
182T	97	16.56	6.25	32	30.75	N/A	FOUR	16.17	12.67	.75
184T	110	18.06		36	34.75	N/A	FOUR	17.17		.88
213T	162	18.56	7.00	40	N/A	19.38	SIX	17.56	12.88	1.0
215T	189	21.09		44	N/A	21.38	SIX	20.54	13.63	
254T	283	23.19								
256T	290									
284T	396	27.76								
286T	417									

✓ = UNIT SELECTED

DIMENSIONS IN INCHES  
WEIGHTS IN POUNDS

\* DIMENSIONS AND MOTOR WEIGHTS WILL VARY BASED ON MOTOR MANUFACTURER AND TYPE. CHART DIMENSIONS AND MOTOR WEIGHTS BASED ON TEFC 3 PHASE MOTORS.

RV = RELIEF VALVE

LOVEJOY COUPLINGS STANDARD  
APPROX PUMP WEIGHT = 110 LBS



ROPER PUMP COMPANY  
P.O. BOX 269  
3475 OLD MAYSVILLE RD  
COMMERCE, GEORGIA 30529 U.S.A.

TELEPHONE: (706) 335-5551  
TELEFAX: (706) 335-5505

DATE: \_\_\_\_\_

PUMP NO.: \_\_\_\_\_

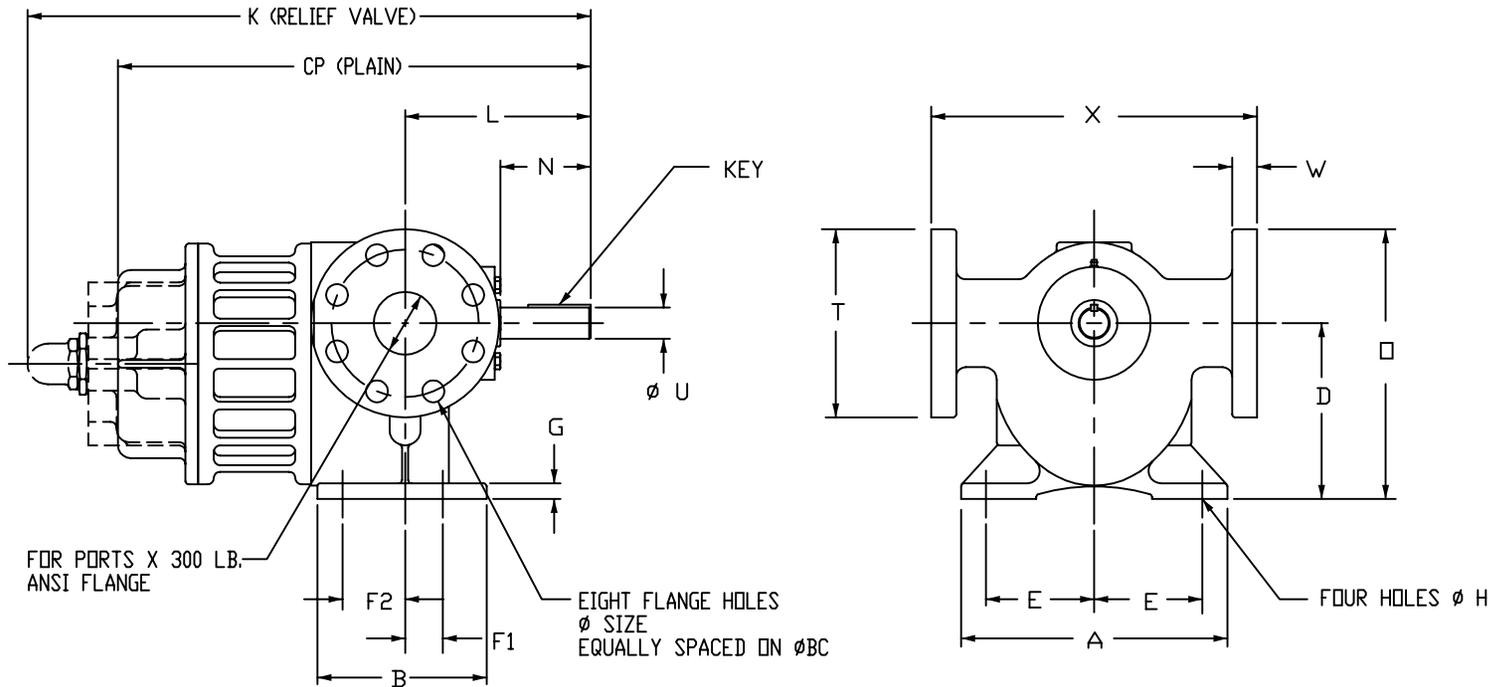
ROPER NO.: \_\_\_\_\_

CUSTOMER: \_\_\_\_\_

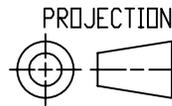
CUSTOMER NO.: \_\_\_\_\_

SERVICE: \_\_\_\_\_

1 & 2 F 75 - F300 SPEC 17

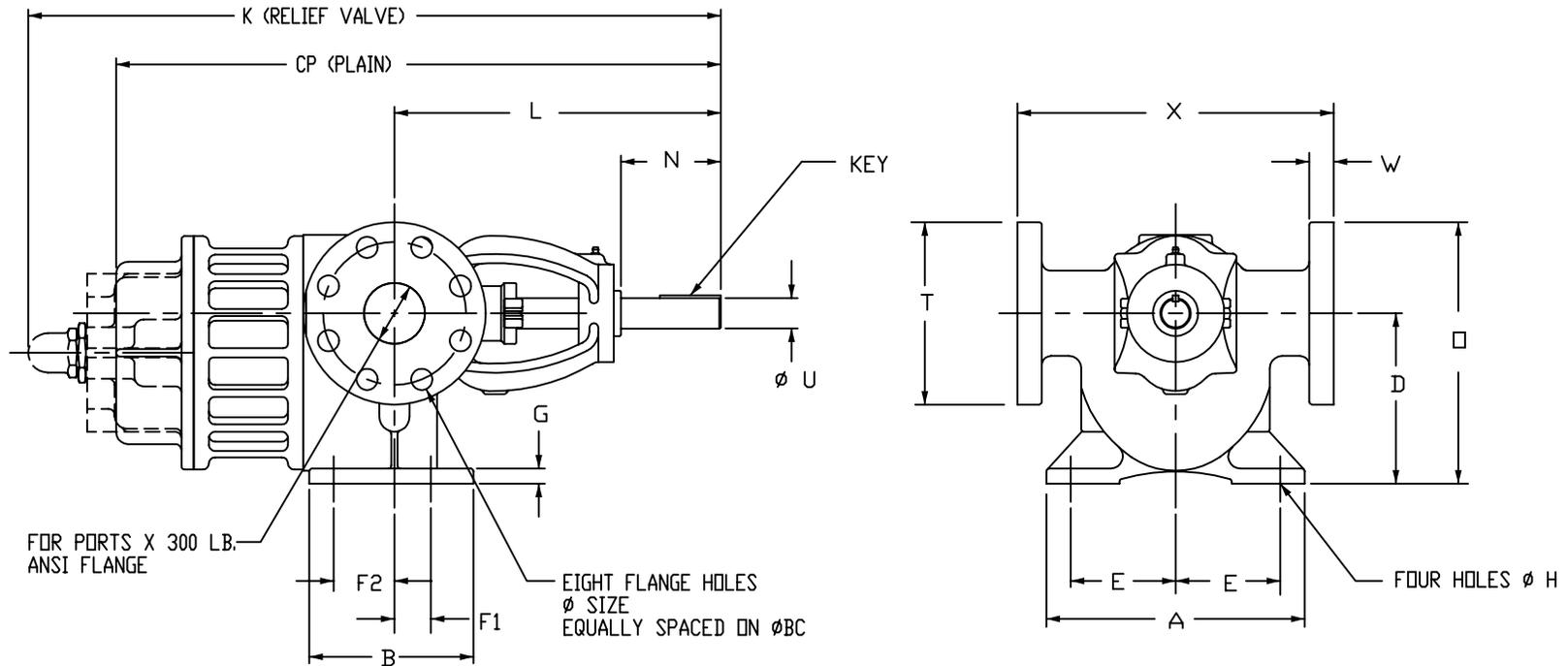


DO NOT SCALE  
DIMS IN INCHES [MM]

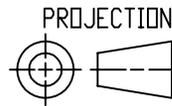


PUMP	A	B	CP	D	E	F1	F2	G	H	K	L	N	□	T	U	W	X	FLANGE	PORTS	KEY
75	10.63 [270]	6.75 [171]	18.84 [479]	7.00 [178]	4.31 [109]	1.50 [38]	2.50 [64]	.63 [16]	.69 [17.5]	22.43 [570]	7.40 [188]	3.59 [91]	10.75 [273]	7.50 [191]	1.25 [31.8]	1.00 [25]	13.00 [330]	Ø88 DN 5.88 ØBC [Ø22 DN 149 ØBC]	2-1/2" [63.5]	.25 SQ X 2.50 [6.3 X 63.5]
100	12.00 [305]	6.88 [175]	20.72 [526]	8.00 [203]	5.00 [127]	1.88 [48]	2.50 [64]	.75 [19]	.69 [17.5]	24.53 [623]	8.65 [220]	3.97 [101]	11.75 [298]	7.50 [191]	1.25 [31.8]	1.13 [28]	14.00 [356]	Ø88 DN 5.88 ØBC [Ø22 DN 149 ØBC]	2-1/2" [63.5]	.25 SQ X 2.50 [6.3 X 63.5]
150	12.50 [318]	7.63 [194]	23.55 [598]	9.25 [235]	5.25 [133]	1.94 [49]	3.06 [78]	1.00 [25]	.69 [17.5]	30.01 [762]	8.98 [228]	4.64 [118]	13.38 [340]	8.25 [210]	1.50 [38.1]	1.13 [29]	16.25 [413]	Ø81 DN 6.63 ØBC [Ø21 DN 168 ØBC]	3" [76.2]	.38 SQ X 2.50 [9.53 X 63.5]
200	14.50 [368]	9.13 [232]	27.02 [686]	11.00 [279]	6.00 [152]	2.75 [70]	2.75 [70]	1.25 [32]	.81 [20.6]	34.25 [870]	12.25 [311]	6.86 [174]	15.13 [384]	8.25 [210]	1.50 [38.1]	1.25 [32]	17.00 [432]	Ø81 DN 6.63 ØBC [Ø21 DN 168 ØBC]	3" [76.2]	.38 SQ X 4.00 [9.53 X 101.6]
300	17.00 [432]	11.75 [298]	33.01 [838]	12.50 [318]	6.50 [165]	3.38 [86]	3.38 [86]	1.50 [38]	1.06 [26.9]	N/A	14.38 [365]	6.66 [169]	17.50 [445]	10.00 [254]	2.25 [57.2]	1.25 [32]	19.50 [495]	Ø88 DN 7.88 ØBC [Ø22 DN 200 ØBC]	4" [101.6]	.50 SQ X 4.00 [12.7 X 101.6]

1 & 2 F 75 - F300 SPEC 174



DO NOT SCALE  
DIMS IN INCHES [MM]



PUMP	A	B	CP	D	E	F1	F2	G	H	K	L	N	□	T	U	W	X	FLANGE	PORTS	KEY
75	10.63 [270]	6.75 [171]	24.84 [631]	7.00 [178]	4.31 [109]	1.50 [38]	2.50 [64]	.63 [16]	.69 [17.5]	28.43 [722]	13.40 [340]	4.09 [104]	10.75 [273]	7.50 [191]	1.25 [31.8]	1.00 [25]	13.00 [330]	ø88 DN 5.88 øBC [ø22 DN 149 øBC]	2-1/2" [63.5]	.25 SQ X 2.50 [6.3 X 63.5]
100	12.00 [305]	6.88 [175]	26.34 [669]	8.00 [203]	5.00 [127]	1.88 [48]	2.50 [64]	.75 [19]	.69 [17.5]	30.15 [766]	14.28 [363]	4.09 [104]	11.75 [298]	7.50 [191]	1.25 [31.8]	1.13 [28]	14.00 [356]	ø88 DN 5.88 øBC [ø22 DN 149 øBC]	2-1/2" [63.5]	.25 SQ X 2.50 [6.3 X 63.5]
150	12.50 [318]	7.63 [194]	32.39 [823]	9.25 [235]	5.25 [133]	1.94 [49]	3.06 [78]	1.00 [25]	.69 [17.5]	38.86 [987]	17.83 [453]	4.01 [102]	13.38 [340]	8.25 [210]	1.50 [38.1]	1.13 [29]	16.25 [413]	ø81 DN 6.63 øBC [ø21 DN 168 øBC]	3" [76.2]	.38 SQ X 2.50 [9.53 X 63.5]
200	14.50 [368]	9.13 [232]	35.07 [891]	11.00 [279]	6.00 [152]	2.75 [70]	2.75 [70]	1.25 [32]	.81 [20.6]	42.30 [1075]	20.31 [516]	5.88 [149]	15.13 [384]	8.25 [210]	1.50 [38.1]	1.25 [32]	17.00 [432]	ø81 DN 6.63 øBC [ø21 DN 168 øBC]	3" [76.2]	.38 SQ X 4.00 [9.53 X 101.6]
300	17.00 [432]	11.75 [298]	44.73 [1136]	12.50 [318]	6.50 [165]	3.38 [86]	3.38 [86]	1.50 [38]	1.06 [26.9]	N/A	26.09 [663]	6.00 [152]	17.50 [445]	10.00 [254]	2.25 [57.2]	1.25 [32]	19.50 [495]	ø88 DN 7.88 øBC [ø22 DN 200 øBC]	4" [101.6]	.50 SQ X 4.00 [12.7 X 101.6]